



M12 DCAG

SERVICE PARTS DIAGRAM

TTI Model Number: 018 233 007, 009

M12™ AIRSNAKE DRAIN CLEANING AIR GUN

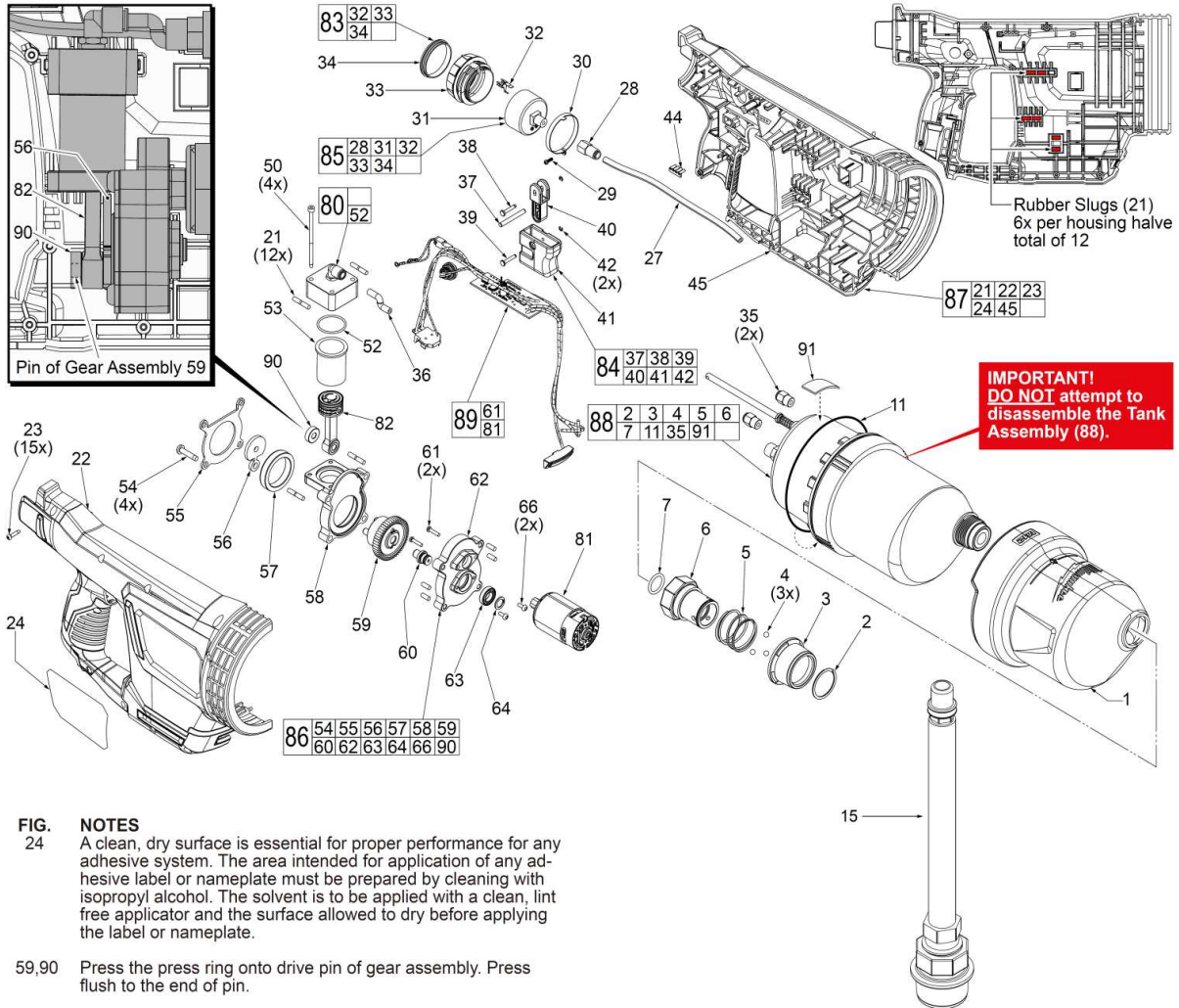
Bulletin Date:

May-21

Starting Serial Number:

VERSION A - C2019

EXAMPLE:
 Component Parts (Small #) Are Included
 When Ordering The Assembly (Large #).





M12 DCAG

SERVICE PARTS DIAGRAM

TTI Model Number: 018 233 007, 009

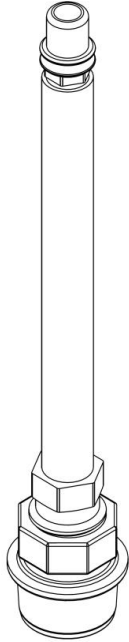
M12™ AIRSNAKE DRAIN CLEANING AIR GUN

Bulletin Date:

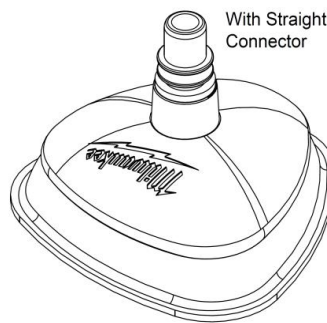
May-21

Starting Serial Number:

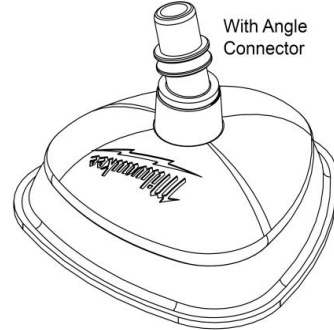
VERSION A - C2019



AIRSNAKE™ 10" Extension Service Assembly
204233002



With Straight Connector



With Angle Connector

AIRSNAKE™ Universal Plunger Assembly

204743002 contains 1 straight connector, 1 angle connector, 1 plunger Assy.



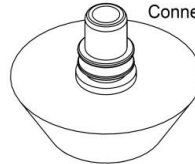
With Straight Connector



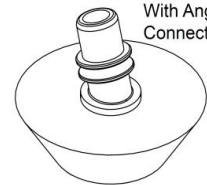
With Angle Connector

AIRSNAKE™ Small Plug Assembly

204740002 contains 1 straight connector, 1 angle connector, 1 small plug



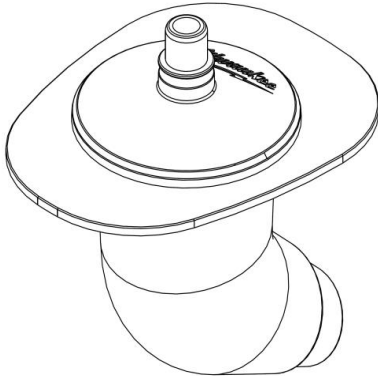
With Straight Connector



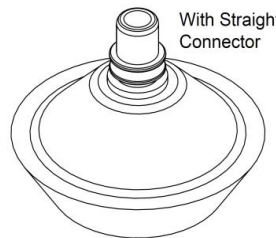
With Angle Connector

AIRSNAKE™ Medium Plug Assembly

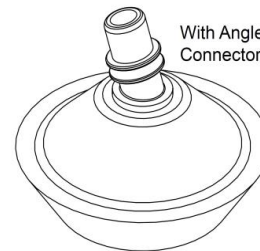
204741002 contains 1 straight connector, 1 angle connector, 1 medium plug



AIRSNAKE™ Toilet Attachment Assembly
204744002



With Straight Connector



With Angle Connector

AIRSNAKE™ Large Plug Assembly

204742002 contains 1 straight connector, 1 angle connector, 1 large plug

Straight Connector
533361001



Angle Connector
533553001



Blow Molded Carrying Case
204745002



1200



M12 DCAG

SERVICE PARTS LIST

TTI Model Number: 018 233 007, 009

M12™ AIRSNAKE DRAIN CLEANING AIR GUN

Bulletin Date:

May-21

Starting Serial Number:

VERSION A - C2019

ITEM	PART NUMBER	PART DESCRIPTION	QTY (PCS)
1	330442001	RUBBER BOOT	1
2	639351001	RETAINING RING	1
3	533031001	SLIDING SLEEVE	1
4	696218001	DETENT BALL	3
5	696221001	QUICK CONNECT SPRING	1
6	643145001	QUICK CONNECT HOUSING	1
7	564395001	O-RING	1
11	564392001	O-RING	2
15	204233002	EXTENSION ASSEMBLY	1
21	560085001	RUBBER SLUG	12
22	-	HOUSING COVER - LEFT	1
23	660570005	M3 X 14MM SCREW	15
24	941049394	SERVICE NAMEPLATE 018233007 ASIA VERSION	1
24	941051281	SERVICE NAMEPLATE 018233009 ONLY JP VERSION	1
27	564698001	RUBBER HOSE (LONG)	1
28	312762001	QUICK CONNECTOR	1
29	663260802	PHILLIPS SCREW	1
30	639485001	SLIP RING	1
31	312765001	PRESSURE GAUGE BODY ASSEMBLY	1
32	639468001	CONTACT PLATE	1
33	360708001	PRESSURE GAUGE ROTATING DIAL COVER	1
34	533826001	PRESSURE GAUGE LENS	1
35	312763001	QUICK CONNECTOR	2
36	564697001	RUBBER HOSE (SHORT)	1
37	673677001	ROCKER PIN	1
38	673704001	CONNECTOR PIN	1
39	673705001	CONNECTOR PIN	1
40	533033001	TRIGGER ROCKER	1
41	533032001	TRIGGER	1
42	671319001	E-RING	2
44	533386001	FUEL GAUGE LIGHT PIPE	1
45	-	HOUSING SUPPORT - RIGHT	1
50	662609001	HEX SOCKET CAP SCREW	4
52	564397001	O-RING	1
53	696201001	COMPRESSOR CYLINDER	1
54	661133001	10-24 X .875 SCREW	4
55	639535001	END PLATE	1
56	639745001	COUNTER BALANCE	1



M12 DCAG

SERVICE PARTS LIST

TTI Model Number: 018 233 007, 009

M12™ AIRSNAKE DRAIN CLEANING AIR GUN

Bulletin Date:

May-21

Starting Serial Number:

VERSION A - C2019

ITEM	PART NUMBER	PART DESCRIPTION	QTY (PCS)
57	696244001	GEAR CASE BUSHING	1
58	643125001	GEAR CASE COVER	1
59	613383001	GEAR ASSEMBLY	1
60	696330001	PIN	1
61	662346001	M3 X 14MM SCREW	2
62	643063001	GEAR CASE	1
63	681456002	BALL BEARING	1
64	680364001	RETAINING RING	1
66	662643001	M3 X 6MM SCREW	2
80	204734002	CYLINDER HEAD ASSEMBLY	1
81	230635001	MOTOR AND PINION ASSEMBLY	1
82	204737002	PISTON ASSEMBLY	1
83	204735002	PRESSURE GAUGE COVER ASSEMBLY	1
84	204738002	TRIGGER AND ROCKER ASSEMBLY	1
85	208341002	PRESSURE GAUGE ASSEMBLY	1
86	208387002	GEAR BOX ASSEMBLY	1
87	204739002	HOUSING HALVE ASSEMBLY	1
88	208340002	TANK ASSEMBLY	1
89	208398002	ELECTRONICS AND MOTOR ASSEMBLY	1
90	696759001	PRESS RING	1
91	564667001	RUBBER PAD	1
92	204740002	SMALL PLUG ASSEMBLY	1
93	204741002	MIDDLE PLUG ASSEMBLY	1
94	204742002	LARGE PLUG ASSEMBLY	1
95	204743002	UNIVERSAL ASSEMBLY	1
96	204744002	TOILET ATTACHMENT ASSEMBLY	1
97	533361001	STRAIGHT CONNECTOR	1
98	533553001	ANGLED CONNECTOR	1
99	204745002	BLOW MOLDED CARRYING CASE (NOT SHOWN)	1
1200	-	TYPE Y GREASE	1



M12 DCAG

SERVICE INSTRUCTION

TTI Model Number: 018 233 007, 009

M12™ AIRSNAKE DRAIN CLEANING AIR GUN

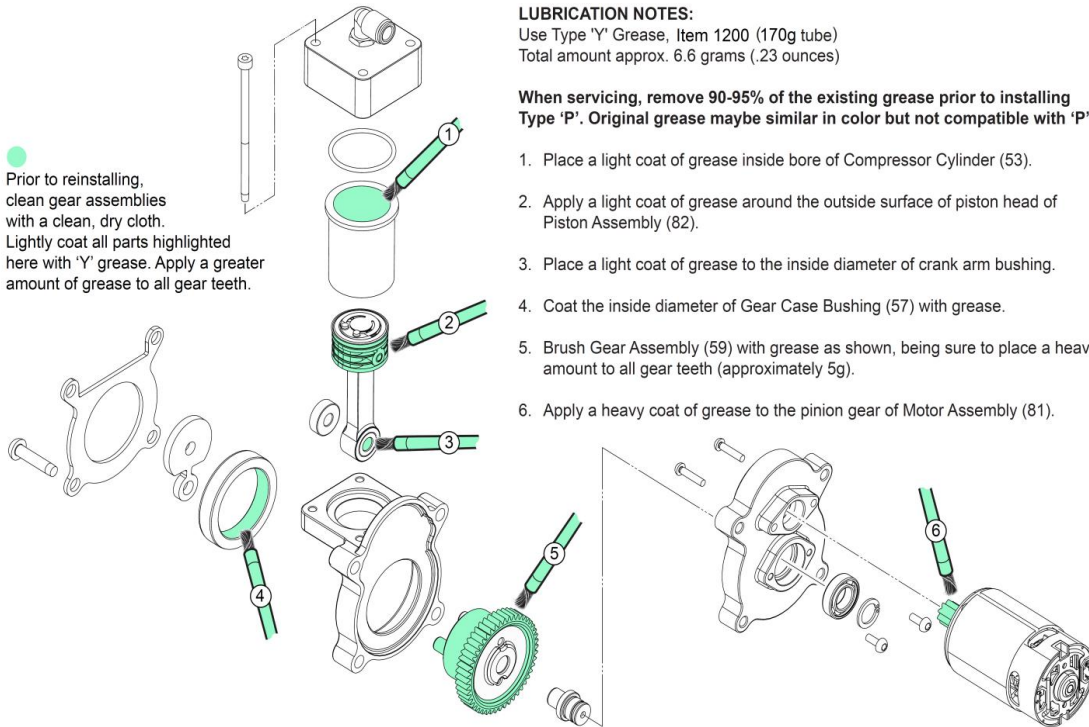
Bulletin Date:

May-21

Starting Serial Number:

VERSION A - C2019

● Prior to reinstalling, clean gear assemblies with a clean, dry cloth. Lightly coat all parts highlighted here with 'Y' grease. Apply a greater amount of grease to all gear teeth.

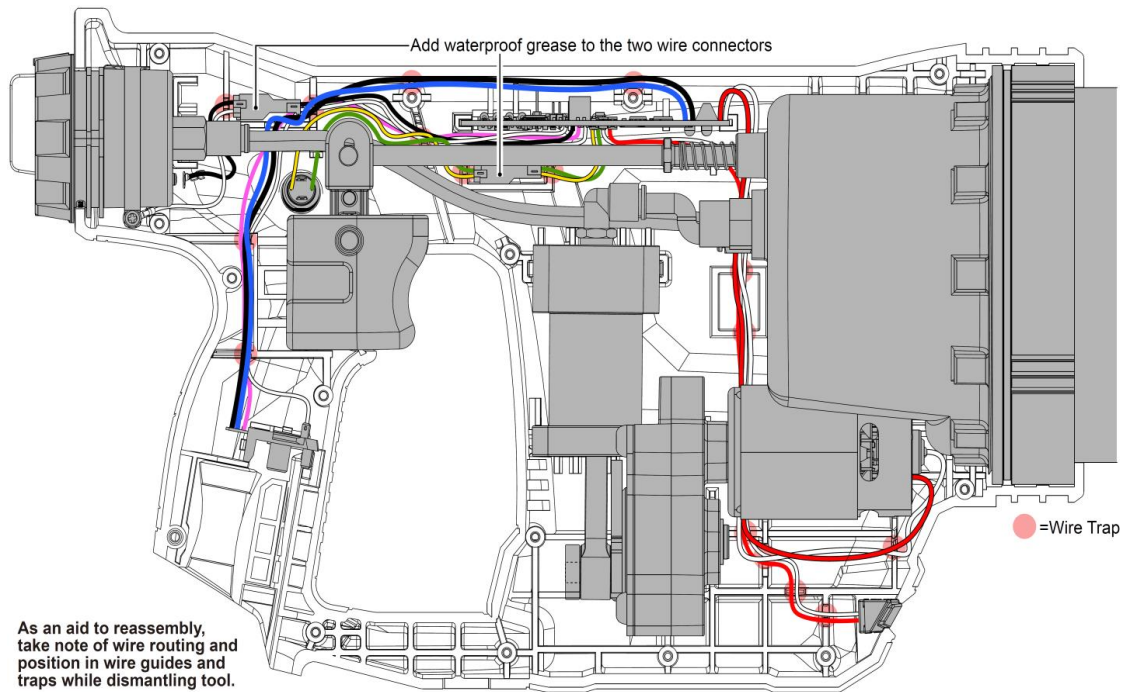


LUBRICATION NOTES:

Use Type 'Y' Grease, Item 1200 (170g tube)
Total amount approx. 6.6 grams (.23 ounces)

When servicing, remove 90-95% of the existing grease prior to installing Type 'P'. Original grease may be similar in color but not compatible with 'P'.

1. Place a light coat of grease inside bore of Compressor Cylinder (53).
2. Apply a light coat of grease around the outside surface of piston head of Piston Assembly (82).
3. Place a light coat of grease to the inside diameter of crank arm bushing.
4. Coat the inside diameter of Gear Case Bushing (57) with grease.
5. Brush Gear Assembly (59) with grease as shown, being sure to place a heavy amount to all gear teeth (approximately 5g).
6. Apply a heavy coat of grease to the pinion gear of Motor Assembly (81).



Add waterproof grease to the two wire connectors

● =Wire Trap

As an aid to reassembly, take note of wire routing and position in wire guides and traps while dismantling tool.

Be careful and avoid pinching wires between handle halves when reassembling. Be sure all mechanical components are firmly and squarely seated in housing support (left housing half). Be sure all wires are tucked completely down in wire traps and that there is no interference prior to installing housing cover (right housing half). Check for proper functionality of trigger and pressure gauge dial. Install battery and make sure tool operates properly.