



M18 BLTRC

SERVICE PARTS DIAGRAM

TTI Model Number: 018 326 007

M18™ THREADED ROD CUTTER

Bulletin Date:

Mar-20

Starting Serial Number:

VERSION A -

00 | 0

EXAMPLE:

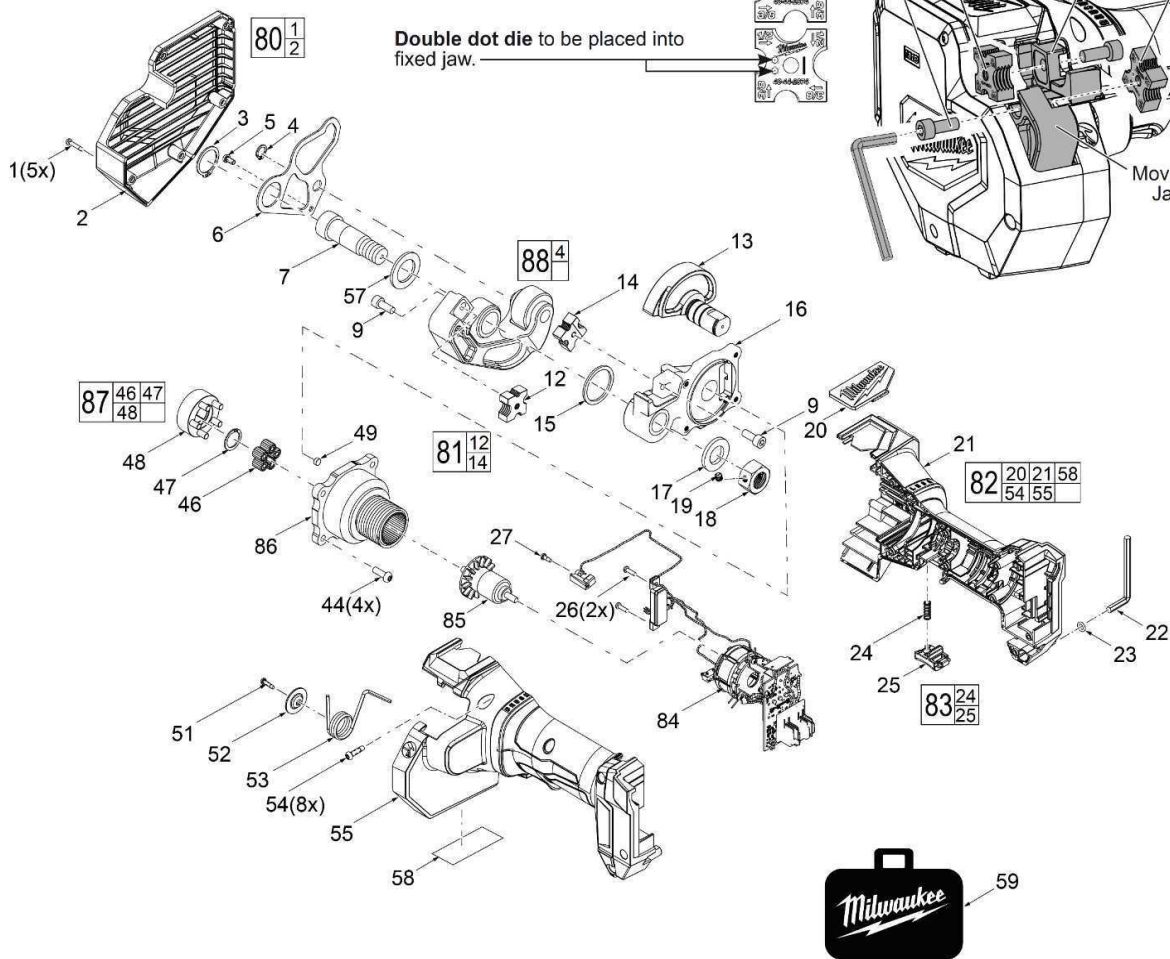
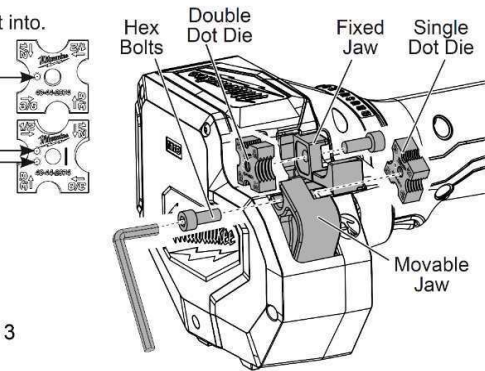
Component Parts (Small #) Are Included When Ordering The Assembly (Large #).

Die Placement Guide

Dots indicate which jaw the dies fit into.

Single dot die to be placed into movable jaw.

Double dot die to be placed into fixed jaw.



1200 1201



M18 BLTRC

SERVICE PARTS LIST

TTI Model Number: 018 326 007

M18™ THREADED ROD CUTTER

Bulletin Date:

Mar-20

Starting Serial Number:

VERSION A -

ITEM	PART NUMBER	PART DESCRIPTION	QTY (PCS)
1	660851001	M3 X 16MM SCREW	5
2	-	COVER	1
3	635598001	RETAINING RING	1
4	633364001	RETAINING RING	1
5	660414009	M4 X 8MM SCREW	1
6	650092001	GUIDE PLATE	1
7	697006004	LH BOLT	1
9	661474002	M6 X 16MM BOLT	2
12	-	BOTTOM DIE	1
13	696865001	CAM	1
14	-	TOP DIE	1
15	565059001	GASKET	1
16	696870001	ARM SUPPORT	1
17	635599001	WASHER	1
18	662778003	M16 LH HEX NUT	1
19	662810001	SET SCREW	1
20	-	LOGO PLATE	1
21	-	RIGHT HANDLE HALVE - SUPPORT	1
22	697159002	M5 ALLEN KEY	1
23	561529001	O-RING	1
24	694641001	SPRING	1
25	-	SWITCH TRIGGER	1
26	660380008	M3 X 10MM SCREW	2
27	660438002	M3 X 8MM SCREW	1
44	660385024	M5 X 15MM SCREW	4
46	613438001	5TH PLANET GEAR	1
47	681170001	RETAINING RING	1
48	613768003	CARRIER CAM	1
49	695039002	MAGNET	1
51	662216001	M3 X 12MM SCREW	1
52	650095001	METAL BAFFLE	1
53	696866001	SPRING	1
54	660024030	M4 X 16MM SCREW	8
55	-	LEFT HANDLE HALVE - COVER	1
57	658123002	WASHER	1
58	941049473	RATING LABEL	1



M18 BLTRC

SERVICE PARTS LIST

TTI Model Number: 018 326 007

M18™ THREADED ROD CUTTER

Bulletin Date:

Mar-20

Starting Serial Number:

VERSION A -

ITEM	PART NUMBER	PART DESCRIPTION	QTY (PCS)
59	314344001	BLOW MOLDED CARRYING CASE	1
80	204563002	COVER KIT	1
81	208499001	SERVICE KIT,METRIC DIE ASSEMBLY	1
82	204556004	HANDLE HOUSING KIT	1
83	204565002	TRIGGER KIT	1
84	208465002	ELECTRONICS ASSEMBLY	1
85	208466001	ROTOR ASSEMBLY	1
86	208478001	GEARCASE ASSEMBLY	1
87	208477001	REAR GEARCASE ASSEMBLY KIT	1
88	204776003	ARM/ROLLER ASSEMBLY KIT	1
1200	-	TYPE J GREASE	1
1201	-	TYPE T GREASE	1



M18 BLTRC

SERVICE INSTRUCTION

TTI Model Number: 018 326 007

M18™ THREADED ROD CUTTER

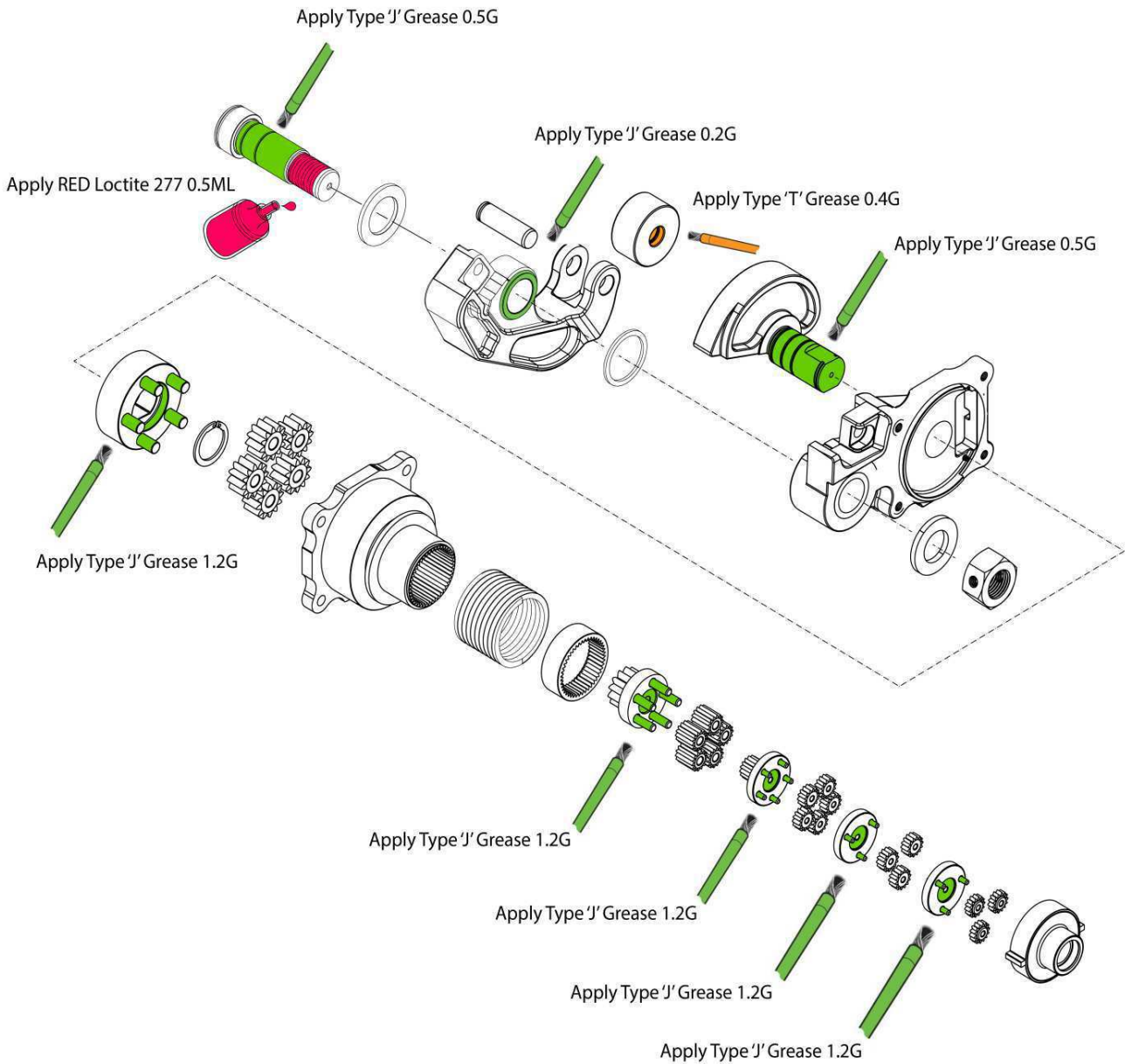
Bulletin Date:




Mar-20

Starting Serial Number:

VERSION A -

LUBRICATION



-  = Type 'J' Grease Item 1200
-  = 277 Red Loctite 44-22-0050
-  = Type 'T' Grease Item 1201



M18 BLTRC

SERVICE INSTRUCTION

TTI Model Number: 018 326 007

M18™ THREADED ROD CUTTER

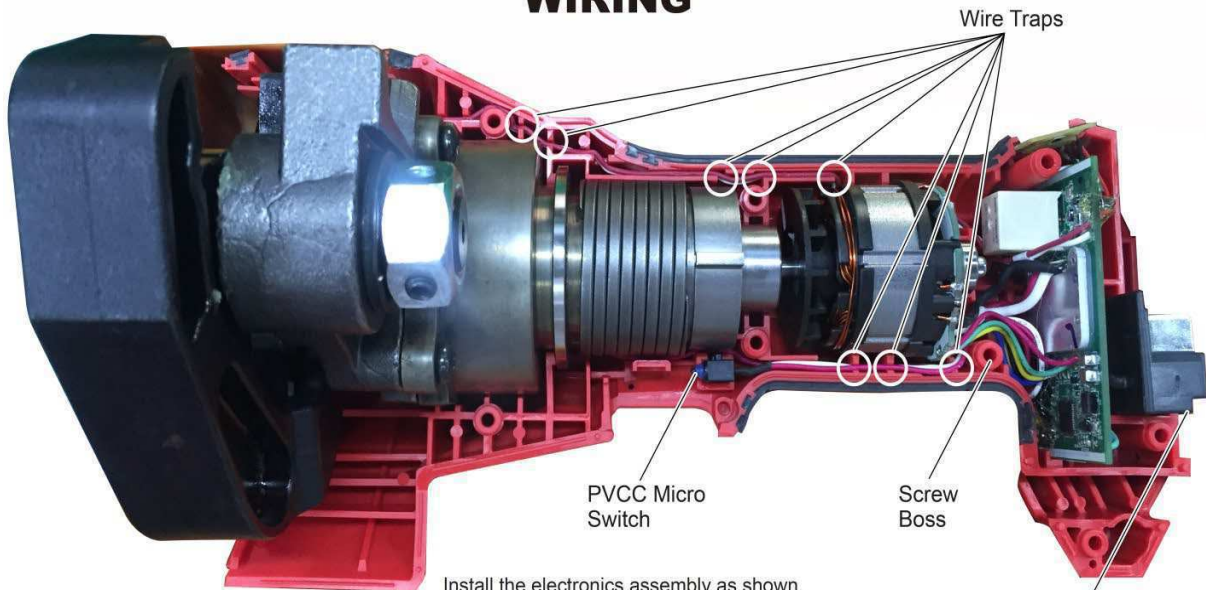
Bulletin Date:

Mar-20

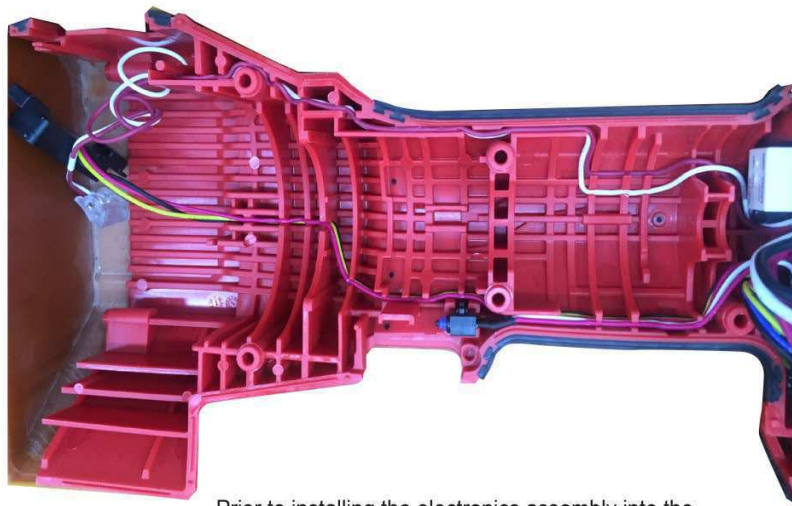
Starting Serial Number:

VERSION A -

WIRING



Install the electronics assembly as shown. Route wires around screw bosses and into wire traps. Be sure all components are seated squarely and firmly in place. Be sure there is no interference when installing the housing cover.



Prior to installing the electronics assembly into the housing support, place grounding terminal over screw boss as shown. Route ground wire, removing as much slack as possible. Be sure wire is pressed firmly to the back of the wire traps.

AS AN AID TO REASSEMBLY, TAKE NOTICE OF WIRE ROUTING AND POSITION IN WIRE GUIDES AND TRAPS WHILE DISMANTLING TOOL.

BE SURE THAT ALL COMPONENTS OF THE ELECTRONICS KIT ARE SEATED FIRMLY AND SQUARELY IN THE HANDLE RECESSES.

AVOID PINCHED WIRES, BE SURE THAT ALL WIRES AND SLEEVES ARE PRESSED COMPLETELY DOWN IN WIRE GUIDES AND TRAPS.

PRIOR TO INSTALLING THE HANDLE COVER ONTO THE HANDLE SUPPORT, BE SURE THAT THERE ARE NO INTERFERENCES.