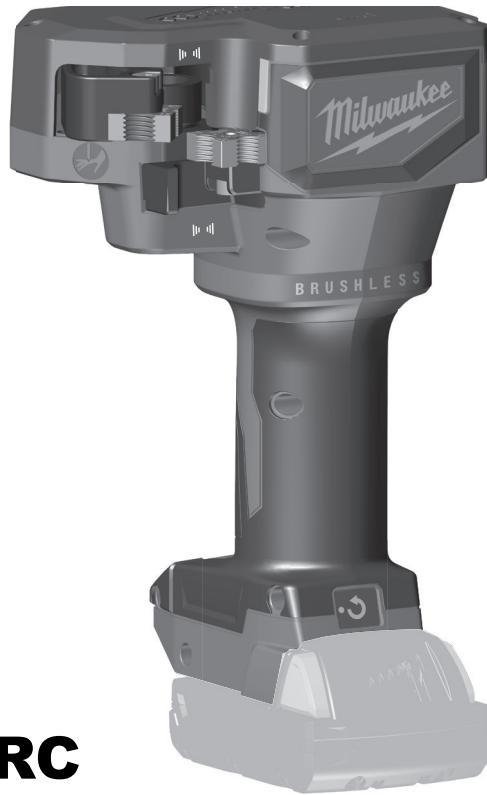




Nothing but **HEAVY DUTY.**TM



M18 BLTRC M18 BLTRCM

User Manual

操作指南

操作指南

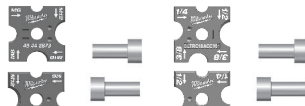
사용시 주의사항

คู่มือการใช้

Buku Petunjuk Pengguna



2

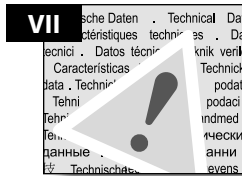
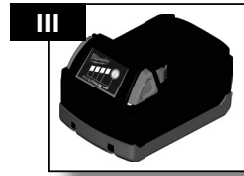
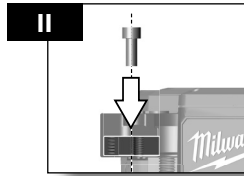
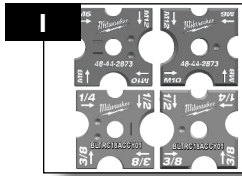


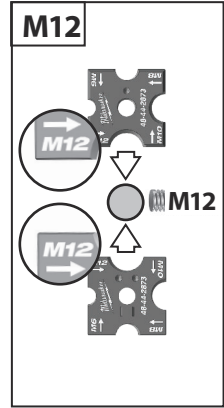
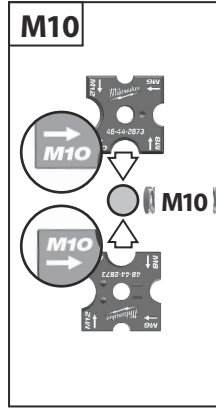
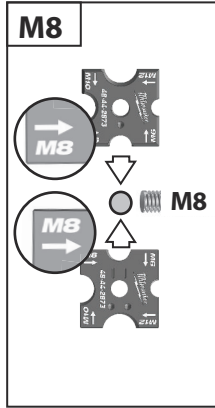
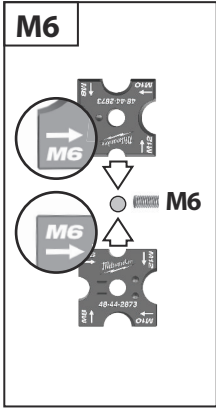
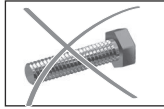
M18 BLTRCM

M18 BLTRC

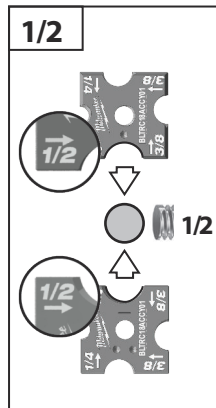
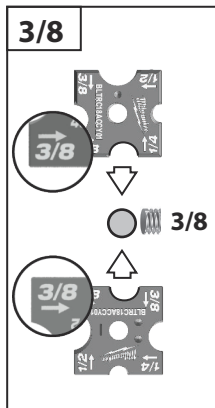
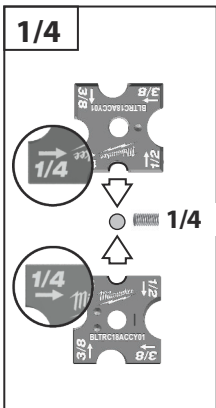
3



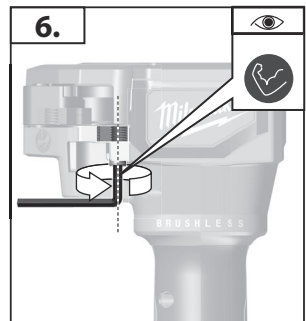
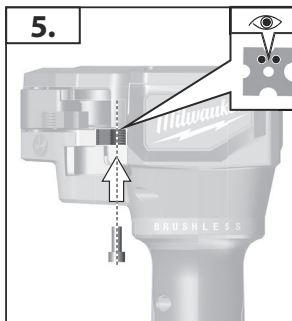
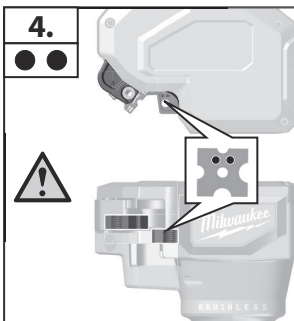
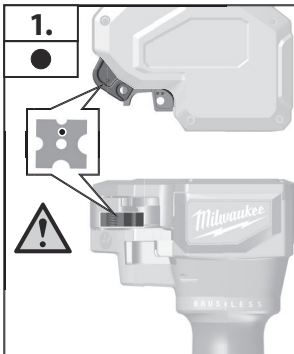
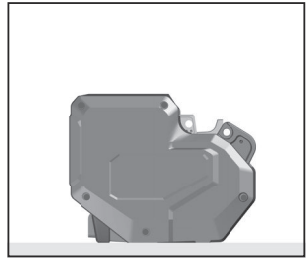
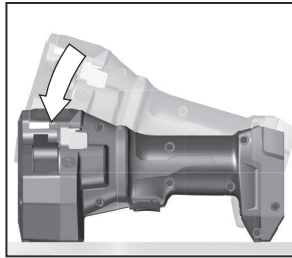
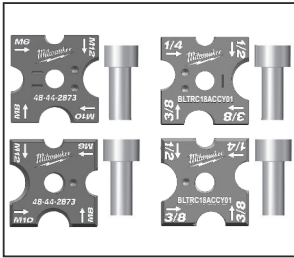
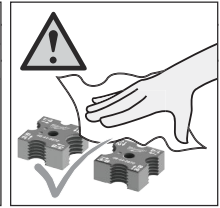
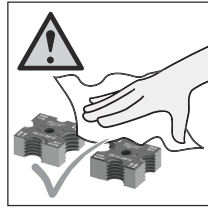
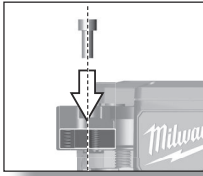


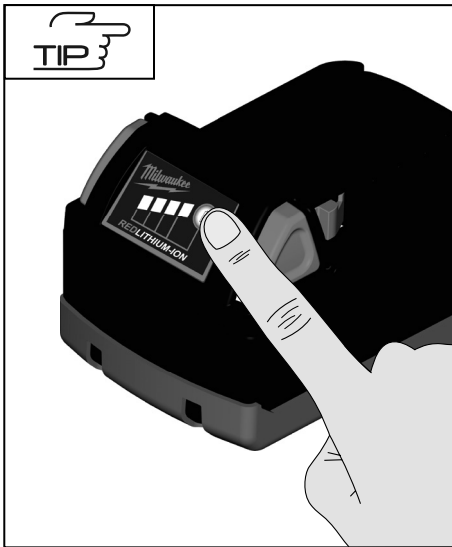


M18 BLTRCM

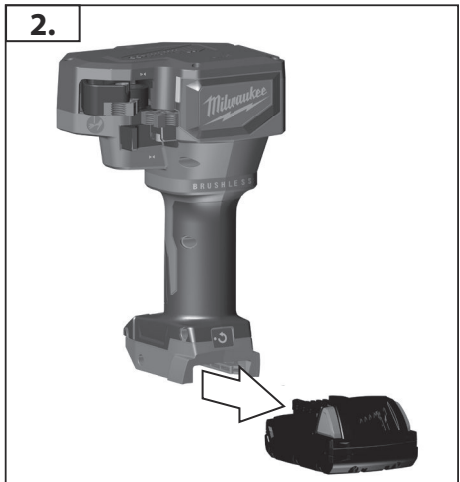
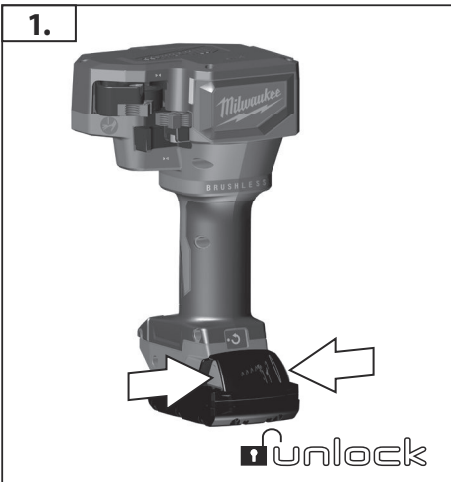
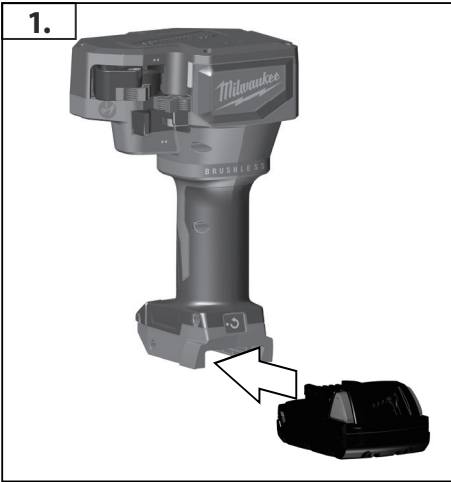


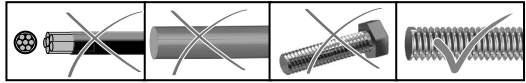
M18 BLTRC



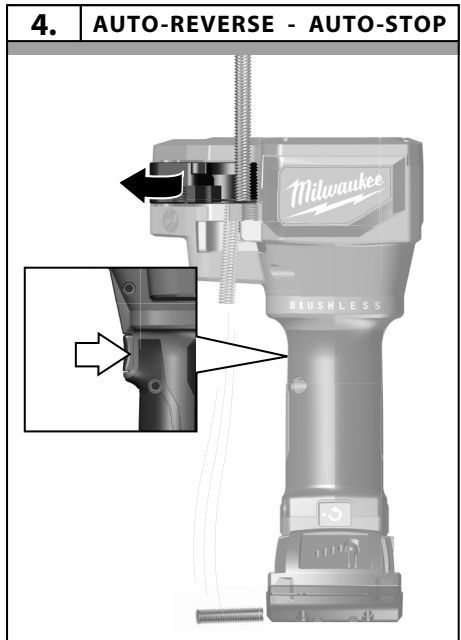
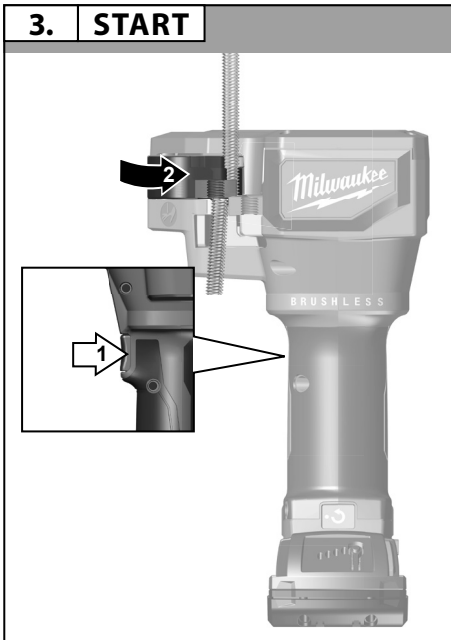
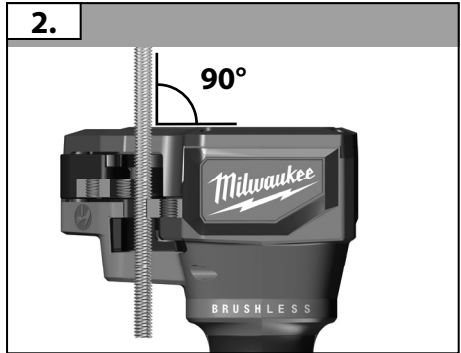
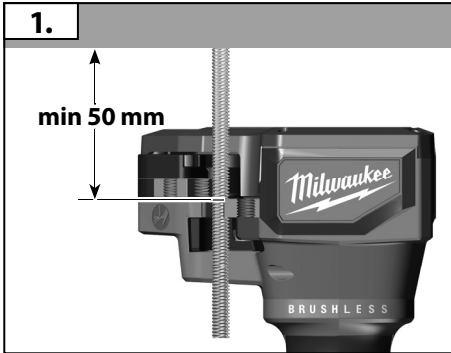


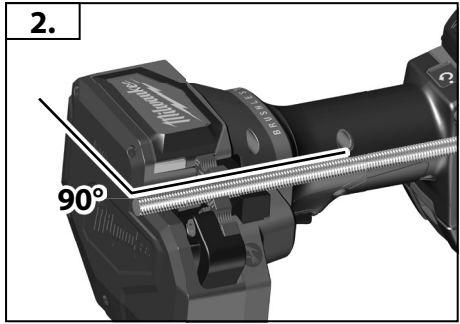
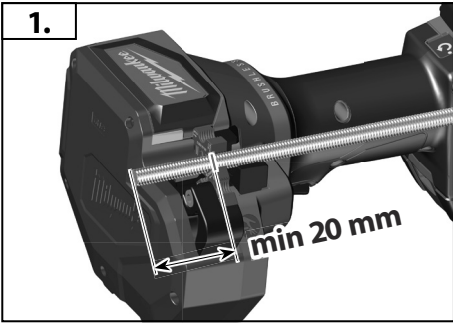
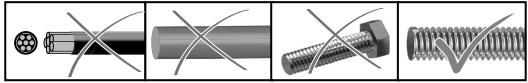
78-100 %		
55-77 %		
33-54 %		
10-32 %		
<10 %		



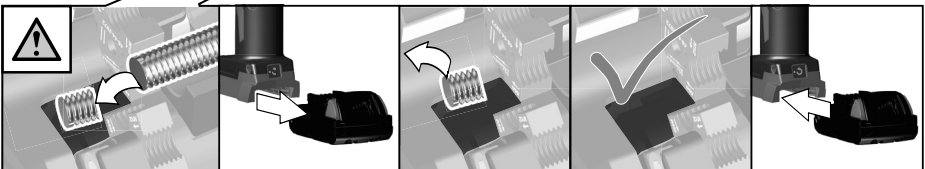
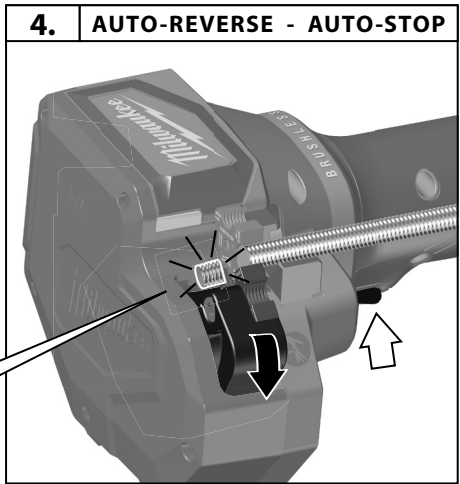
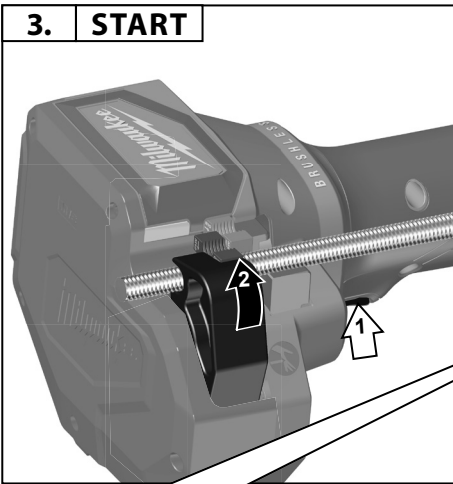


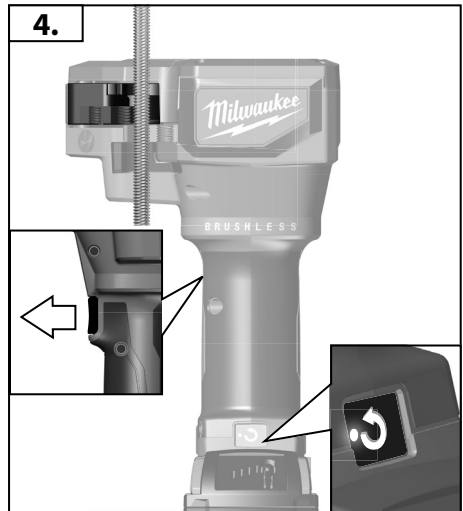
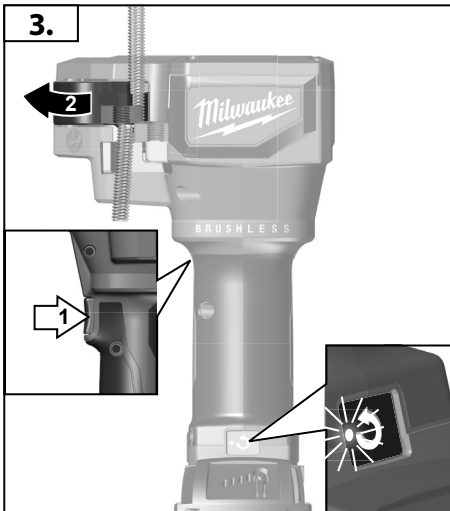
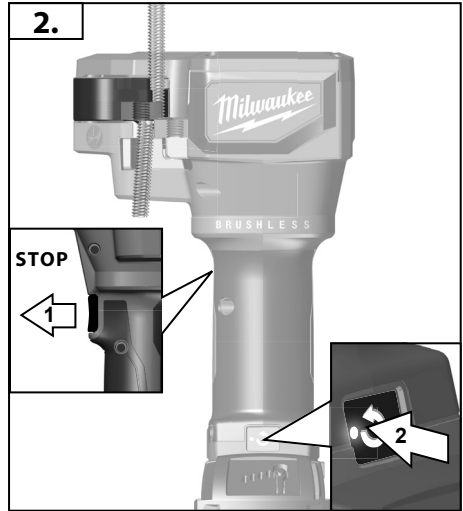
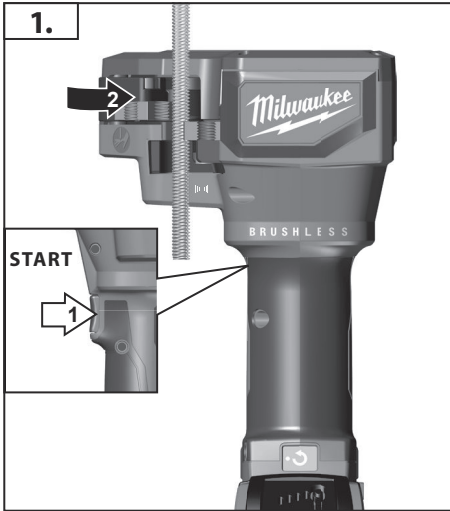
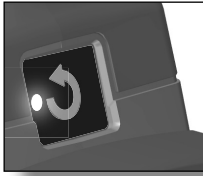
START STOP
IV

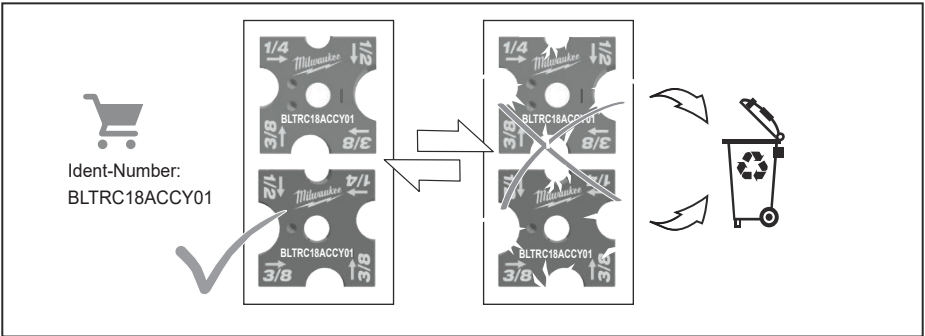
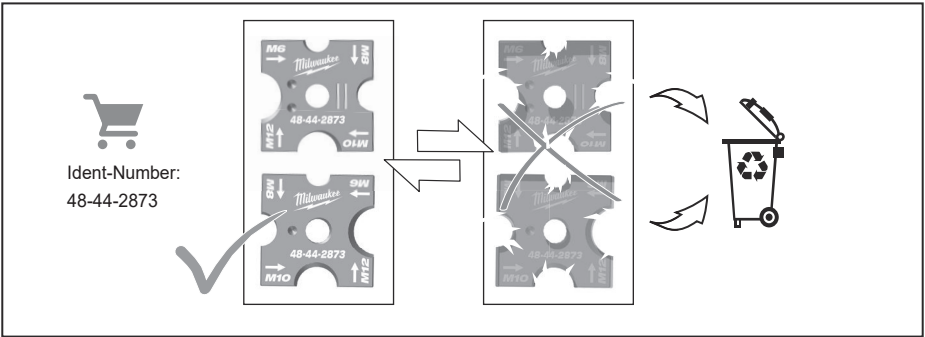
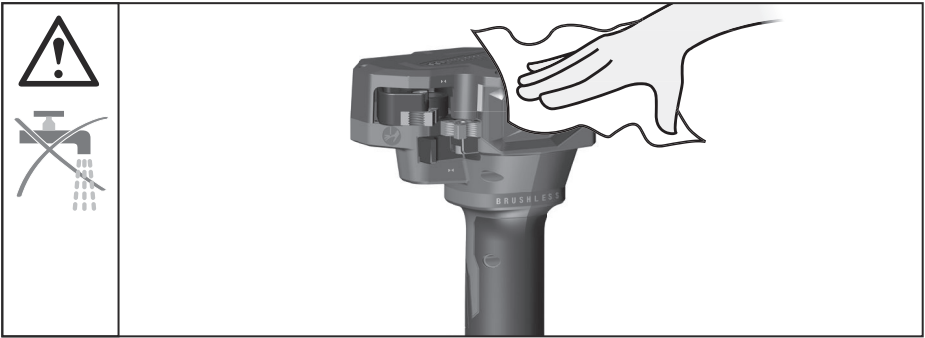




**START
STOP**







TECHNICAL DATA	M18 BLTRC	M18 BLTRCM
Battery voltage	18 V	18 V
Cutting range		
Mild steel	1/4" – 20 3/8" – 16 1/2" – 12	M 6 × 1 M 8 × 1.25 M 10 × 1.5 M 12 × 1.75
Stainless steel	1/4" – 20 3/8" – 16	M 6 × 1 M 8 × 1.25 M 10 × 1.5
Weight according to EPTA-Procedure 01/2014 (Li-ion 2.0 Ah–12.0 Ah)	3.9 kg – 5.0 kg	3.9 kg – 5.0 kg
Recommended ambient operating temperature	-18°C – +50°C	-18°C – +50°C
Operating temperature	0°F – 125°F	0°F – 125°F
Recommended battery types	M18B, M18HB	M18B, M18HB
Recommended charger	M12-18C, M12-18FC	M12-18C, M12-18FC
Noise information		
Measured values determined according to EN 62841. Typically, the A-weighted noise levels of the tool are:		
Sound pressure level (Uncertainty K=3dB(A))	75.27 dB(A)	75.27 dB(A)
Sound power level (Uncertainty K=3dB(A))	86.27 dB (A)	86.27 dB (A)
Wear ear protectors!		
Vibration information		
Vibration total values (triaxial vector sum) determined according to EN 62841		
Vibration emission value $a_{h,v}$	0.48 m/s ²	0.48 m/s ²
Uncertainty K=	1.5 m/s ²	1.5 m/s ²

WARNING!

The vibration emission level given in this information sheet has been measured in accordance with a standardised test given in EN 62841 and may be used to compare one tool with another. It may be used for a preliminary assessment of exposure.

The declared vibration emission level represents the main applications of the tool. However if the tool is used for different applications, with different accessories or poorly maintained, the vibration emission may differ. This may significantly increase the exposure level over the total working period.

An estimation of the level of exposure to vibration should also take into account the times when the tool is switched off or when it is running but not actually doing the job. This may significantly reduce the exposure level over the total working period.

Identify additional safety measures to protect the operator from the effects of vibration such as: maintain the tool and the accessories, keep the hands warm, organisation of work patterns.

⚠ WARNING! Read all safety warnings, instructions, illustrations, and specifications provided with this power tool. Failure to follow all instructions listed below may result in electric shock, fire, and/or serious injury.

Save all warnings and instructions for future reference.

⚠ SAFETY WARNINGS

The operator of this product must be instructed in the specific dangers associated with using this product and in the essential safety measures before working with it for the first time and at least once a year thereafter.

The operating company must:

- make the operating manual available to the operator, and
- ensure that the operator has read and understood it.

Maintain labels and nameplates. These carry important information. If unreadable or missing, they have to be replaced.

Always use common sense and be cautious when using tools. It is not possible to anticipate every situation that could result in a dangerous outcome. Do not use this product if you do not understand these operating instructions or you feel the work is beyond your capability; contact MILWAUKEE Tool or a trained professional for additional information or training.

Do not work on electrically live parts. Product is NOT insulated.

Keep hands and loose items of clothing away from jaws/dies and other moving parts. There is a risk of serious injury, including severing of limbs.

Use protective equipment. Always wear goggles when using the product. The use of protective clothing is recommended, such as dust mask, protective gloves, sturdy non-slip footwear, helmet, and ear defenders.

To reduce the risk of injury, wear safety goggles or glasses with side shields when operating or servicing the product. Material may crack or shatter.

To avoid injury and damage, prevent accidental starting of the product.

Never hold the product in the area of jaws and cutting dies.

Before using, always check the dies and jaws for cracks and other signs of wear.

Only use the threaded rod cutter, battery pack, and charger if they are in perfect technical condition.

Have damage repaired immediately by an authorised workshop.

Remove the battery pack before starting any work on the product.

Do not use product without dies installed. Fingers could be crushed with or without dies in place.

Remove any setting tools and wrenches before making the cut.

To avoid injury and damage, never immerse the product, removable battery, or charger in liquid or allow liquid to penetrate them.

Avoid cutting short pieces of material that put hands near dies.

Workpiece may not be exposed to any mechanical forces.

To reduce the risk of explosions, electric shock, and damage to property and equipment, do not use on live objects.

Product is NOT insulated. Contact with a live circuit could result in severe injury or death.

Cutting dies are sharp. Keep hands away from cutting edges and moving parts. Avoid cutting short pieces of material that put hands near dies. Laceration and amputation can occur.

WARNING! Some dust created by power sanding, sawing, grinding, drilling, and other construction activities contains chemicals known to cause cancer, birth defects, or other reproductive harm. Some examples of these chemicals are:

- lead from lead-based paint
- crystalline silica from bricks and cement and other masonry products, and
- arsenic and chromium from chemically-treated lumber.

Your risk from these exposures varies, depending on how often you do this type of work. To reduce your exposure to these chemicals:

- work in a well ventilated area, and
- work with approved safety equipment, such as those dust masks that are specially designed to filter out microscopic particles.

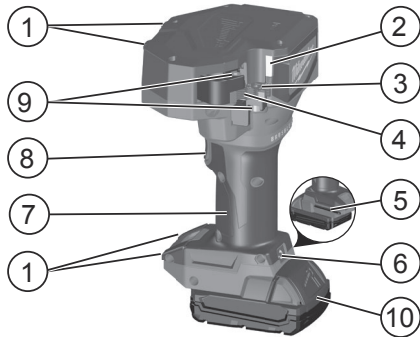
Use only System M18 chargers for charging System M18 battery packs. Do not use battery packs from other systems.

Never break open battery packs and chargers and store only in dry rooms. Keep dry at all times.

⚠ ADDITIONAL BATTERY SAFETY WARNINGS

WARNING! To reduce the risk of fire, personal injury, and product damage due to a short circuit, never immerse your tool, battery pack, or charger in fluid or allow a fluid to flow inside them. Corrosive or conductive fluids, such as seawater, certain industrial chemicals, and bleach or bleach-containing products, etc., can cause a short circuit.

FUNCTIONAL DESCRIPTION



1. Benchtop supports
2. LED
3. Fixed die
4. Movable die
5. Hex wrench (5 mm)
6. Release trigger
7. Handle / Insulated gripping surface
8. Trigger
9. Hex socket bolts
10. Battery

SPECIFIED CONDITIONS OF USE

This heavy-duty threaded rod cutter is designed for professional applications.

WARNING! To reduce the risk of injury, only cut materials for the cutting dies (see "Technical Data"). Do not attempt to cut other materials.

This product will cut off threaded rod cleanly and burr-free, allowing nuts to be hand-threaded without additional finishing. Workpiece quality, dirt, and scale could affect the ability to hand-thread nuts.

NOTE: Use this product for cutting the sizes and materials listed below. Other sizes or materials will damage the product and workpiece.

DO NOT operate or use under wet conditions or in the presence of flammable liquids or gases.

DO NOT use for cutting tempered bolts, threads of different sizes, or reinforcing rod.

NOTE: The rod cutter has been designed so that the nut threads onto the cut rod by hand. Thread quality, surface finish (i.e., galvanized or plated), dirt, and scale could affect the ability of the nut to thread freely onto the cut rod.

WARNING! If the dies need to be opened without completing the cycle, never release the main handle. Use your other hand to press the reserve button until the indicator lamp lights up. Put the hand back on the workpiece and hold it securely. Then press the main trigger until the product stops automatically to open the dies.

USE

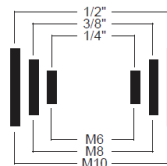
Always wear goggles when using the product.

Cutting dies are sharp. Keep hands away from cutting edges and moving parts. Avoid cutting short pieces of material that put hands near dies. Laceration and amputation can occur.

During overhead use, ensure BOTH ends of the rod are secure to avoid pieces falling when the cut is complete.

Cutting

1. Ensure that the cutting dies are aligned for the proper rod size.
2. Ensure that the hex bolts are tightened securely.
3. Secure the workpiece, and mark the length of cut. **NOTICE:** Align the material in jaws before cutting to avoid damage to the product, cutting dies, and workpiece. Use the marks above and below the jaws to ensure the material is properly aligned.



4. Insert the battery pack.
5. Align the threaded rod, holding it firmly and securely against the cutting groove in the fixed cutting die.
6. Grasp the product firmly. Keeping hands clear of the cutting dies, pull and hold the trigger. Ensure that the rod is held straight during the cut.
7. Continue to pull and hold the trigger throughout the operation. When the jaws fully open, the product shuts off automatically. Release the trigger.

NOTE: The product will only enter reverse mode if the jaws are NOT fully open.

Reverse Button

If the cutting jaws need to be opened without completing the cutting cycle:

1. Release the trigger.
2. Press the reverse button. The button light will turn ON.
3. Pull the trigger and hold the product firmly until the cutting jaws open fully.

NOTE: The product will only enter reverse mode if the jaws are NOT fully open.

Jammed Cutting Dies

Dirt and debris can cause the cutting dies to become jammed together after a cut. If the product shuts off and the cutting jaws are still closed:

1. Press the reverse button and pull the trigger until the cutting jaws open fully.

If this does not work,

1. Remove the battery pack.
2. Remove, clean, and reinstall the cutting dies according to "Removing/Replacing the Cutting Dies."

MAINTENANCE

Remove the battery pack before starting any work on the product.

Never open the threaded rod cutter, removable battery, or charger. Check the threaded rod cutter for any problems such as noise or jamming of moving parts that could be affecting the product.

Check the cutting tools for cracks and other signs of wear.

Clean dust and debris from openings. Keep handle clean, dry, and free of oil or grease. Use only mild soap and a damp cloth to clean, since certain cleaning agents and solvents are harmful to plastics and other insulated parts. Some of these include gasoline, turpentine, lacquer thinner, paint thinner, chlorinated cleaning solvents, ammonia, and household detergents containing ammonia. Never use flammable or combustible solvents around tools.

Check that the dies are sharp, and replace worn dies.

Replace the dies when they become chipped or damaged. Always replace dies as a set. Use only MILWAUKEE dies.

To avoid injury and damage, never immerse the product, removable battery, or charger in liquid or allow liquid to penetrate them.

The ventilation slots of the product must be kept clear at all times.

Further service and repair work may only be carried out by authorised specialist workshops.

Use only MILWAUKEE accessories and MILWAUKEE spare parts. Should components need to be replaced which have not been described, please contact one of our MILWAUKEE service agents (see our list of guarantee/service addresses).

If needed, an exploded view of the product can be ordered. Please state the article number as well as the product type printed on the label and order the drawing at your local service agents.

BATTERIES

Temperatures in excess of 50°C (122°F) reduce the performance of the battery pack. Avoid extended exposure to heat or sunshine (risk of overheating).

The contacts of chargers and battery packs must be kept clean.

For an optimum lifetime, the battery packs have to be fully charged, after use. Battery packs which have not been used for some time should be recharged before use.

To obtain the longest possible battery life remove the battery pack from the charger once it is fully charged.

For battery pack storage longer than 30 days:

- Store the battery pack where the temperature is below 27°C and away from moisture.
- Store the battery packs in a 30% – 50% charged condition.
- Every six months of storage, charge the pack as normal.

Do not dispose of used battery packs in the household

refuse or by burning them. MILWAUKEE distributors offer to retrieve old batteries to protect our environment.

Do not store the battery pack together with metal objects (short circuit risk).

Battery acid may leak from damaged batteries under extreme load or extreme temperatures. In case of contact with battery acid wash it off immediately with soap and water. In case of eye contact rinse thoroughly for at least 10 minutes and immediately seek medical attention.

No metal parts must be allowed to enter the battery section of the charger (short circuit risk).

TRANSPORTING LITHIUM BATTERIES

Lithium-ion batteries are subject to the Dangerous Goods Legislation requirements.

Transportation of those batteries has to be done in accordance with local, national, and international provisions and regulations.

The user can transport the batteries by road without further requirements.

Commercial transport of lithium-ion batteries by third parties is subject to Dangerous Goods regulations. Transport preparation and transport are exclusively to be carried out by appropriately trained persons and the process has to be accompanied by corresponding experts.

When transporting batteries:

- Ensure that battery contact terminals are protected and insulated to prevent short circuit.
- Ensure that battery pack is secured against movement within packaging.
- Do not transport batteries that are cracked or that leak.

Check with forwarding company for further advice.

SYMBOLS



Please read the instructions carefully before starting the product.



Always wear goggles when using the product.



Pull force.



CAUTION! WARNING! DANGER!



Remove the battery pack before starting any work on the product.



Keep hands away from cutting tools and other moving parts. Fingers may get caught in the cutting mechanism and be amputated or injured.



Accessory—Not included in standard equipment, available as an accessory.



Do not dispose electric tools, batteries/rechargeable batteries together with household waste material. Electric tools and batteries that have reached the end of their life must be collected separately and returned to an environmentally compatible recycling facility. Check with your local authority or retailer for recycling advice and collection point.



Voltage



Direct current

技術數據	M18 BLTRC	M18 BLTRCM
電池電壓	18 V	18 V
切割範圍		
軟鋼	1/4" - 20 3/8" - 16 1/2" - 12	M 6 × 1 M 8 × 1.25 M 10 × 1.5 M 12 × 1.75
不銹鋼	1/4" - 20 3/8" - 16	M 6 × 1 M 8 × 1.25 M 10 × 1.5
根據EPTA-Procedure 01/2014 的重量 (Li-ion 2.0 Ah - 12.0 Ah)	3.9 kg - 5.0 kg	3.9 kg - 5.0 kg
建議環境操作溫度	-18° C - +50° C	-18° C - +50° C
操作溫度	0° F - 125° F	0° F - 125° F
推薦的電池類型	M18B, M18HB	M18B, M18HB
推薦充電器	M12-18C, M12-18FC	M12-18C, M12-18FC
噪音資訊		
依 EN 62841 所測的測量值。一般來說，本工具的A加權噪音標準為：		
聲壓量測 (不確定性 K= 3 dB(A))	75.27 dB(A)	75.27 dB(A)
聲壓率級 (不確定性 K= 3 dB(A))	86.27 dB(A)	86.27 dB(A)
佩戴耳罩。		
震動資訊		
依EN 62841所測的震動總值 (三軸向量總和)		
震動釋放值 a_h	0.48 m/s ²	0.48 m/s ²
不確定性 K=	1.5 m/s ²	1.5 m/s ²

警告！

本說明書所提供的震動等級是依EN 62841規定的標準化測試所測得，且可能用於與另一個工具進行比較。該等級可用來初步評估風險。

宣告的震動釋放等級代表的是本工具的主要應用。然而，如果用於不同的應用、使用不同的配件或保養不當，震動釋放也可能不同。這可能會在總工作時間上顯著增加風險等級。

評估震動暴露的等級還應考慮本工具關機時的時間，或當工具運轉但卻未實際使用的時間。這可能會明顯降低總工作期間的風險等級。

請確認額外的安全措施，以保護操作員不受震動的影響，例如：保養本工具與配件、保持手部溫暖和井然有序的工作方式。

▲ 警告！ 請閱讀本設備隨附的所有安全警告、說明、插圖及規格。若不按照說明操作，則可能會導致電擊、火災和/或嚴重傷害。

將所有警告和說明保存好，方便以後查閱。

▲ 安全警告

使用本產品之前及隨後至少每年一次，本產品的使用者必須接受關於使用產品相關的特定危險及基本安全措施指導。

營運公司必須：

- 將操作手冊提供給操作員和
- 操作人員可以採取的能減少振動影響、可限制暴露量的措施。

保留標籤和銘牌。上面的資料是十分重要。如果資料不可讀或遺失，則必須更換。

當使用產品時，務必運用常識及小心。無法預測所有情況，可導致危險的結果。如果您未能了解操作說明，或感到工作超出了能力，切勿使用本產品。應聯絡MILWAUKEE公司或經過培訓的專業人員，以獲得更多訊息或培訓。

不要在帶電部件上工作。產品是不絕緣的。

雙手及衣服鬆散的部份須遠離鉗口/模具及轉動的部件。有嚴重傷害的危險，包括切斷四肢。

使用防護裝備。使用本產品時務必佩戴護目鏡。建議穿戴防護裝備，例如防塵罩、防護手套、堅固防滑的鞋具、安全帽和護耳器。

為了減低受傷的風險，在操作或維修產品時，請佩戴護目鏡或帶側護罩的眼鏡。材料可能會破裂或被碎。

為避免受傷和損壞，請防止意外啟動產品。

切勿在鉗口及切割模具附近握著產品。

使用產品前，務必檢查模具及鉗口是否有裂縫及其他磨損跡象。

只有螺桿切斷器、電池組及充電器不處於完美的技術狀態才能使用。

避免切割薄片材料，因為手指會放近模具造成危險。

損壞的部份需要立刻交給認可的工場維修。

在產品上開始任何工作之前，請先取出電池組。

切勿在未安裝模具的情況下使用產品。無論有或沒有模具，手指可以被壓碎。

在切割之前，請移除任何調整工具和扳手。

為避免受傷和損壞，切勿將產品、可拆卸電池或充電器浸入液體中或使液體滲透。

避免切割薄片材料，因為手指會放近模具。

只有螺桿切斷器、電池組及充電器不處於完美的技術狀態才能使用。

為了減少爆炸、觸電及財產和設備損壞的風險，切勿切斷帶電的電線。

產品是不絕緣的。與通電的電路接觸可能導致嚴重的傷害或死亡。

切割模具很鋒利。無論有或沒有模具，手指可以被壓碎。避免切割薄片材料，因為手指會放近模具造成危險。割裂及截肢可能發生。

警告！通過電力打磨、鋸切、研磨、鑽孔和其他施工活動產生的一些粉塵含有已知會引起癌症、出生缺陷或其他生殖危害的化學物質。這些化學品的例子包括：

- 鉛塗料中的鉛
- 磚和水泥等磚石產品的結晶二氧化矽，以及
- 來自化學處理木材中的砷和鉻。

這些風險依進行此類工作的頻率而異。減少暴露於這些化學物質：

- 在通風良好的地方工作以及
- 使用經過認可的安全設備，例如專門設計用於過濾掉微小顆粒的防塵口罩。

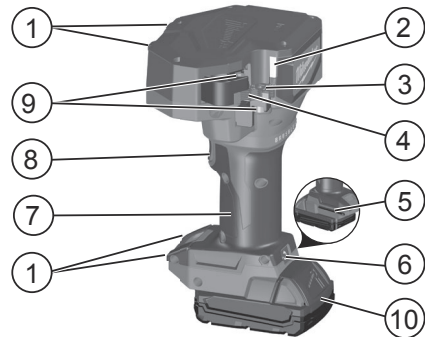
僅可使用M18系統充電器對M18系統電池進行充電。請勿使用其他系統的電池。

不可拆開電池和充電器。電池和充電器必須儲藏在乾燥的空間，勿讓濕氣滲入。必須經常保持乾燥。

▲ 附加電池安全警告

警告！為了減少因短路而導致火災、人身傷害和產品損壞的風險，請勿將工具、電池組或充電器浸沒在液體中或使液體流入其中。腐蝕性或導電性液體（如海水、某些工業化學品、以及漂白劑或含漂白劑的產品等）都會導致短路。

功能說明



1. 工作桌支架
2. LED
3. 固定模具
4. 可動模具
5. 六角扳手 (5 mm)
6. 釋放扳機
7. 把手，絕緣夾持表面
8. 扳機
9. 內六角螺絲
10. 電池

特定使用條件

這款重型螺桿切斷器以專業的用途設計。

警告！為了減低受傷風險，只能切割模具適用的材料（參見「技術數據」）。切勿嘗試切割其他材料。

本產品能夠以乾淨及無毛刺的方式切割螺桿，使螺母可以在不需要額外的加工情況下手動擰緊。旋螺紋螺母會受工件質量、污垢及水垢影響。

注意：使用本產品切割以下所列的尺寸及材料。切割其他尺寸或材料將損壞產品及工件。

潮濕或易燃液體或氣體存在的環境中，切勿運用或使用產品。

切勿用於切割鋼化螺絲、不同尺寸的螺絲或加強桿。

注意：桿式切割機的設計使螺母可在切割桿上以手動擰緊。螺母能否自由地在切割桿上以手動擰緊會受螺紋質量、成品表面（即鍍鋅或鍍層）、污垢及水垢影響。

警告！如果需要未完成循環下打開模具，請勿釋放主把手。以另一只手按下備用按鈕，直至指示燈亮起。將手放回工件上，並且牢固地握持工作。然後，按下主扳機直至產品自動停下，打開模具。

使用

使用本產品時務必佩戴護目鏡。

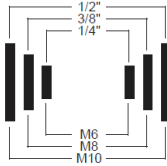
切割模具很鋒利。保持雙手遠離所有切割邊緣和運轉部件。避免切割薄片材料，因為手指會放近模具造成危險。割裂及截肢可能發生。

在頭頂使用時，確保桿的兩端是穩固的，以防止切割完成時工件掉落。

切割

1. 確保切割模具對齊以適合正確的螺紋桿尺寸。
2. 確保六角螺絲牢固擰緊。
3. 固定工件，並標記切割長度。

注意：在切割之前，將材料對準鉗口，以免損壞產品、切割模具和工件。



4. 插入電池組。
5. 對準螺紋桿，將其牢固地靠在固定切割模具的切割槽中。
6. 牢牢抓住產品。保持雙手遠離切割模具，拉並握住扳機。確保在切割過程中保持桿筆直。
7. 在整個操作過程中，繼續拉並扣住扳機。鉗口完全打開後，產品將自動關閉。釋放扳機。

注意：如果鉗口未完全打開，產品將進入反向模式。

反向按鈕

如果需要打開切割鉗口，而不完成切割週期：

1. 釋放扳機。
2. 按反向按鈕。按鈕燈將會亮起。
3. 拉動扳機，並握穩產品，直至切割鉗口完全打開。

注意：如果鉗口未完全打開，產品將僅進入反向模式。

切割模具卡住

污垢及碎屑可能導致切割模具切割後無法移動。如果產品關掉後，切割鉗口仍然關閉：

1. 按下反向按鈕，並且拉動扳機，直至切割鉗口完全打開。

如果無法起作用，

1. 拆下電池。
2. 根據「拆卸/更換切割模具」拆卸、清潔並重新安裝切割模具。

裝切割模具。

維護

在產品上開始任何工作之前，請先取出電池組。

切勿拆開螺絲切斷器、可拆卸電池或充電器。檢查螺絲切斷器是否有問題，如運作部件的噪音或卡住等影響產品的問題。

檢查切割工具是否有裂縫和其他磨損跡象。

清潔開口的灰塵及碎屑。保持手柄清潔、乾燥、無油或油脂。只能使用溫和的肥皂和濕布進行清潔，因為某些清潔劑和溶劑對塑料和其他絕緣部件有害。其中一些包括汽油、松節油、漆稀釋劑、油漆稀釋劑、氯化清潔劑、氨和含氨的家用洗滌劑。

檢查模具是否鋒利，並更換磨損的模具。

當模具變得碎裂或損壞時更換模具。務必更換整套模具。僅使用MILWAUKEE模具。

為避免受傷和損壞，切勿將產品、可拆卸電池或充電器浸入液體中或使液體滲透。

本產品的通風孔必須時刻保持暢通。

進一步的服務和維修工作只能由授權的專業工作坊進行。

只可使用MILWAUKEE的配件和零件。如果需要更換未描述的組件，請聯繫我們的MILWAUKEE服務代理（請參閱我們的認可/維修的地址列表）。

如果需要，可以索取產品的分解圖。諮詢案件時，請您向當地的顧客服務中心提供以下資料：機器銘牌上的產品號碼及機型。

電池

超過 50° C (122° F) 的高溫會降低電池的效能。避免暴露於高溫或陽光下（可能導致過熱）。

充電器和電池組的接點處應保持清潔。

為確保最佳電池使用壽命，電池組使用後應再完全充電。久未使用的電池必須重新充電後再使用。

為確保電池的最長壽命，充電完成後，勿將電池繼續留在充電器上。

電池儲存時間長於30日：

- 將電池組存放於溫度低於27° C的環境，且避免受潮。
- 將電池組保持在充電量30%-50%的狀態。
- 存放中的電池組應每六個月照常充電一次。

勿將用過的電池組與家庭廢棄物混合或燃燒電池。MILWAUKEE經銷商提供舊電池回收，以保護我們的環境。

勿將電池組與其他金屬物品一起存放（可能引起短路）。

在極端負載或極端溫度下，損壞的電池可能漏出內部酸液。若碰到電池酸液，請即刻用肥皂與清水洗去。若酸液接觸到眼睛，以清水沖洗至少10分鐘後立即就醫。

切勿讓金屬部份接觸充電器的電池部份（有短路危機）。

運輸鋰電池

鋰離子電池須受制於危險品法例的要求。

運送鋰電池必須在符合當地、國家及國際標準及法例的情況下進行。

使用者可於陸地上運送電池而毋須受限。

第三方負責的商業式鋰電池運送須受制於危險品法例。運送的預備及過程必須由受嚴格訓練的人士進行，亦必須得到專家在場監管。

運送電池時：

- 請確保電池接觸終端受到嚴密保護及經過絕緣，防止短路。
- 請確保電池組妥善包裝，防止碰撞磨擦。
- 切勿運送有裂痕或洩漏中的電池。

與速遞公司緊密聯繫以獲得進一步資訊。

符號



啟動機器前，請仔細閱讀本說明書。



使用本產品時務必佩戴護目鏡。



拉力。



注意！警告！危險！



在產品上開始任何工作之前，請先取出電池組。



保持雙手遠離切割工具及其他運動部件。手指可能被夾在切割部件，甚至截肢或受傷。



配件 - 不包在標配設備中，可作為配件供應。



勿將用過的電動工具、電池/充電電池與家庭廢棄物混合。當電動工具和電池達到使用壽命時，必須單獨收集，並送至環保回收機構。請與當地相關部門或經銷商聯繫，了解回收建議和收集地點。

V

電壓



直流電

技术数据	M18 BLTRC	M18 BLTRCM
电池电压	18 V	18 V
切割范围		
软钢	1/4" - 20	M 6 × 1
	3/8" - 16	M 8 × 1.25
	1/2" - 12	M 10 × 1.5
		M 12 × 1.75
不锈钢	1/4" - 20	M 6 × 1
	3/8" - 16	M 8 × 1.25 M 10 × 1.5
重量符合EPTA—Procedure 01/2014 (Li-ion 2.0 Ah - 12.0 Ah)	3.9 kg - 5.0 kg	3.9 kg - 5.0 kg
建议环境温度	-18° C - +50° C	-18° C - +50° C
操作温度	0° F - 125° F	0° F - 125° F
推荐的电池类型	M18B, M18HB	M18B, M18HB
推荐充电器	M12-18C, M12-18FC	M12-18C, M12-18FC
噪音信息		
本测量值符合EN 62841条文的规定。 器械的标准A-值噪音级为:		
音压值 (不确定性 K = 3 dB(A))	75.27 dB(A)	75.27 dB(A)
音量值 (不确定性 K = 3 dB(A))	86.27 dB (A)	86.27 dB (A)
佩戴耳罩。		
振荡信息		
依欧盟EN 62841 标准确定的振荡总值 (三方向矢量和)。		
振荡值 a_h	0.48 m/s ²	0.48 m/s ²
不确定性 K =	1.5 m/s ²	1.5 m/s ²

警告!

本规程列出的依欧盟EN 62841标准测量方法测量的振荡级也可用于电动工具比较并适合于临时振荡负荷估计。该等级可用来初步评估风险。

该振荡级代表电动工具的主要应用。电动工具的其他应用, 不正确的工具附件或缺维护可造成振荡级偏差。此可明显提高工作期间的振荡程度。

正确地估计一定工作期间的振荡程度也要考虑到工具关闭或接通而不使用的期间。此可明确减少总工作期间的振荡程度。

为提高操作人员对振荡作用的保护得规定补充安全措施: 电动工具及工具附件的维护、温手、工作过程组织等。

▲ 警告！ 请阅读本设备随附的所有安全警告、说明、插图及规格。不遵照以下说明会导致电击、着火和/或严重伤害。

保存所有警告和说明书以备查阅。

▲ 安全警告

使用本产品之前及随后至少每年一次，本产品的使用者必须接受关于使用产品相关的特定危险及基本安全措施的指导。

运营公司必须：

- 将操作手册提供给操作员及
- 确保操作员已阅读并理解。

保留标签和铭牌。保留标签和铭牌。如果资料不可读或遗失，则必须更换。

当使用产品时，务必运用常识及小心。无法预测所有情况，可导致危险的结果。如果您未能了解操作说明，或感到工作超出了能力，切勿使用本产品。应联络美沃奇公司或经过培训的专业人员，以获得更多信息或培训。

不要在带电部件上工作。产品是不绝缘的。

必须把两手及衣服松动部份远离钳口/模具及运动部件。有严重伤害的危险，包括切断四肢。

使用防护装备。使用本产品时务必佩戴护目镜。建议穿戴防护装备，例如防尘罩、防护手套、结实的防滑鞋、安全帽和护耳器。

为了减低受伤的风险，在操作或维修产品时，请佩戴护目镜或带侧护罩的眼镜。材料可能会破裂或破碎。

为避免受伤和损坏，请防止意外启动产品。

切勿在钳口及切割模具附近握着产品。

使用产品前，务必检查模具及钳口是否有裂缝及其他磨损迹象。

只有螺杆切断器，电池组及充电器未处于完美的技术状态才能使用。

损坏的部份需要立刻交给正式授权的工场维修。

对产品进行任何工作前，先移除电池。

切勿在未安装模具的情况下使用产品。无论有没有模具，手指可以被压碎。

在切割之前，请移除任何调整工具和扳手。

为避免受伤和损坏，切勿将产品、可拆卸电池或充电器浸入液体中或使液体渗透。

避免切割短片材料，因为手指会放近模具造成危险。

只有螺杆切断器，电池组及充电器未处于完美的技术状态才能使用。

为了减少爆炸、触电及财产和设备损坏的风险，切勿切断带电的电线。

产品是不绝缘的。与通电的电路接触可能导致严重的伤害或死亡。

切割模具很锋利。无论有没有模具，手指可以被压碎。避免切割短片材料，因为手指会放近模具造成危险。割裂及截肢可能发生。

警告！通过电力打磨、锯切、研磨、钻孔和其他施工活动产生的一些粉尘含有已知会引起癌症、出生缺陷或其他生殖危害的化学物质。这些化学品的例子包括：

- 铅涂料中的铅
- 砖和水泥等砖石产品的结晶二氧化硅，以及
- 来自化学处理木材中的砷和铬。

这些风险依进行此类工作的频率而异。减少暴露于这些化学物质：在通风良好的地方工作，并使用经过认可的安全设备，例如专门设计用于过滤掉微小颗粒的防尘口罩。

- 在通风良好的地方工作以及
- 使用经过认可的安全设备，例如专门设计用于过滤掉微小颗粒的防尘口罩。

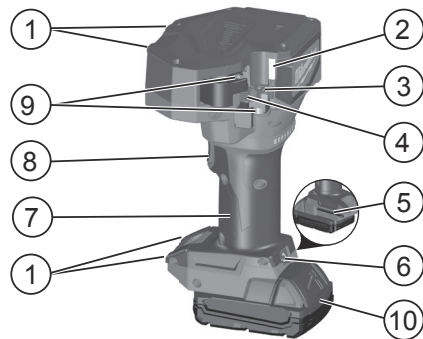
M18系列的电池组只能跟M18系列的充电器配合使用。不可以使用其他系列的电池。

不可拆开电池和充电器。电池和充电器必须储藏在干燥的空间，勿让湿气渗入。必须经常保持干燥。

▲ 附加电池安全警告

警告！为了减少因短路而导致火灾、人身伤害和产品损坏的风险，请勿将工具、电池组或充电器浸没在液体中或使流体流入其中。腐蚀性或导电性流体（如海水、某些工业化学品、以及漂白剂或含漂白剂的产品等）都会导致短路。

功能说明



1. 工作桌支架
2. LED
3. 固定模具
4. 可动模具
5. 六角扳手（5毫米）
6. 释放扳机
7. 手柄（绝缘的夹持表面）
8. 扳机
9. 内六角螺栓
10. 电池

特定使用条件

这款重型螺杆切断器以专业的用途设计。

警告！为了减低受伤风险，只能切割模具适用的材料（参见「技术数据」）。切勿尝试切割其他材料。

本产品能够以干净及无毛刺的方式切割螺杆，使螺母可以在不需要额外的加工情况下手动拧紧。旋纹螺母会受工件质量、污垢及水垢影响。

注意：使用本产品切割以下所列的尺寸及材料。切割其他尺寸或材料将损坏产品及工件。

潮湿或易燃液体或气体存在的环境中，切勿运用或使用产品。

切勿用于切割钢化螺栓、不同尺寸的螺纹或加强杆。

注意：杆式切割机的设计使螺母可在切割杆上以手动拧紧。螺母能否自由地在切割杆上以手动拧紧会受螺纹质量、成品表面（即镀锌或镀层）、污垢及水垢影响。

警告！如果需要未完成循环下打开模具，请勿释放主把手。以另一只手按下备用按钮，直至指示灯亮起。将手放回工件上，并且牢固地握持工作。然后，按下主扳机直至产品自动停下，打开模具。

使用

使用本产品时务必佩戴护目镜。

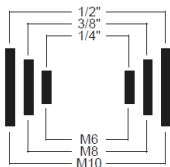
切割模具很锋利。无论有或没有模具，手指可以被压碎。避免切割薄片材料，因为手指会放近模具造成危险。割裂及截肢可能发生。

在头顶使用时，确保杆的两端是稳固的，以防止切割完成时工件掉落。

切割

1. 确保切割模具对齐以适合正确的螺纹杆尺寸。
2. 确保六角螺栓牢固拧紧。
3. 固定工件，并标记切割长度。

注意：在切割之前，将材料对准钳口，以免损坏产品，切割模具和工件。



4. 插入电池组。
5. 对准螺纹杆，将其坚固耐用地靠在固定切削模具的切削槽中。
6. 牢牢抓住产品。保持双手远离切割模具，拉并握住扳机。确保在切割过程中保持杆笔直。
7. 在整个操作过程中，继续拉并扣住扳机。钳口完全打开后，产品将自动关闭。释放扳机。

注意：如果钳口未完全打开，产品将进入反向模式。

反向按钮

如果需要打开切割钳口，而不完成切割周期：

1. 按反向按钮。
2. 按反向按钮。按钮灯将会亮起。
3. 拉动扳机，并握稳产品，直至切割钳完全打开。

注意：如果钳口未完全打开，产品将仅进入反向模式。

切割模具卡住

污垢及碎屑可能导致切割模具切割后无法移动。如果产品关掉后，切割钳口仍然关闭：

1. 按下反向按钮，并且拉动扳机，直至切割钳口完全打开。

如果无法起作用，

1. 拆下电池。
2. 根据「拆卸/更换切割模具」拆卸、清洁并重新安装切割模具。

维护

对产品进行任何工作前，先移除电池。

切勿拆开螺杆切断器、可拆卸电池或充电器。检查螺杆切断器是否有问题，如运作部件的噪音或卡住等影响产品的问题。

检查切割工具是否有裂缝和其他磨损迹象。

清洁开口的灰尘及碎屑。保持手柄清洁、干燥、无油或油脂。只能使用温和的肥皂和湿布进行清洁，因为某些清洁剂和溶剂对塑料和其他绝缘部件有害。其中一些包括汽油、松节油、漆稀释剂、油漆稀释剂、氯化清洁溶剂、氨和含氨的家用洗涤剂。切勿在机器的附近使用工具周围可燃或易燃溶剂。

检查模具是否锋利，并更换磨损的模具。

当模具变得碎裂或损坏时更换模具。务必更换整套模具。仅使用美沃奇模具。

为避免受伤和损坏，切勿将产品、可拆卸电池或充电器浸入液体中或使液体渗透。

本产品的通风孔必须时刻保持畅通。

进一步的服务和维修工作只能由授权的专业工作坊进行。

只能使用美沃奇的附件和零件。如果需要更换的组件在此没有介绍，请与其中一个美沃奇服务代理机构联系（参见我们的保修/服务地址列表）。

如果需要，可以索取产品的分解图。咨询索件时，必须向您的顾客服务中心提供以下资料：铭牌上机器的号码和机型。

电池

超过50°C (122°F) 的高温会降低电池组的效能。避免暴露于高温或阳光下（可能导致过热）。

充电器和电池组的接点处应保持清洁。

为获得最长寿命，使用后应将电池充满电。

为确保最长使用寿命，充电后应将电池从充电器取出。

电池储存时间长于30日：

- 在环境温度27°C左右干燥处储存电池。
- 在百分之30至50充电状态储存电池。
- 每6个月重新充电。

用过的电池组不可以丢入火中或一般的家庭垃圾中。美沃奇经销商将接受旧电池以保护环境。

电池组不可以和金属物体存放在一起（可能产生短路）。

在过度超荷或极端的温度下，可能从损坏的电池组中流出液体。如果触摸了此液体，必须马上使用肥皂和大量清水冲洗。如果此类流体侵入眼睛，马上用清水彻底清洗眼睛（至少冲洗10分钟），接着即刻就医治疗。

电池组不可以和金属物体存放在一起（可能产生短路）。

锂电池的运输

锂电池属于危险货品并受制于危险货物运输条例。

此电池的运输必须遵守地方、国家和国际法律规定。

用户在公路上运输此电池组不必遵守特殊规定。

锂电池的商业性运输受制于危险货品运输条例的规定。运输准备和运输必须由受过合适培训人员进行。全部过程必须由合格专业人员监督。

运输电池时必须注意到下列事项：

- 为避免短路，必须确保电池接点的保护和绝缘。
- 确保包装中的电池包不会滑动。
- 严禁运输损坏或泄漏电池。

进一步建议请联系运输商。

符号



启动机器前，请仔细阅读本说明书。



使用本产品时务必佩戴护目镜。



拉力。



注意！警告！危险！



对产品进行任何工作前，先移除电池。



保持双手远离切割工具及其他运动部件。手指可能被夹于切割机制，甚至截肢或受伤。



附件 - 不包在标配设备中，可作为附件供应。



勿将用过的电动工具、电池/充电电池与家庭废弃物混合。当电动工具和电池达到使用寿命时，必须单独收集，并送至环保回收机构。请与当地主管部门或经销商联系，了解回收建议和收集地点。

V

电压



直流电

기술 데이터	M18 BLTRC	M18 BLTRCM
배터리 전압	18 V	18 V
절단 범위		
연강	1/4" – 20 3/8" – 16 1/2" – 12	M 6 × 1 M 8 × 1.25 M 10 × 1.5 M 12 × 1.75
스테인리스강	1/4" – 20 3/8" – 16	M 6 × 1 M 8 × 1.25 M 10 × 1.5
EPTA 규정 01/2014에 따른 중량(리튬-이온 2.0-12.0 Ah)	3.9 kg – 5.0 kg	3.9 kg – 5.0 kg
권장 주변 작동 온도	-18°C – +50°C	-18°C – +50°C
작동 온도	0°F – 125°F	0°F – 125°F
권장 배터리 팩	M18B, M18HB	M18B, M18HB
권장 충전기	M12-18C, M12-18FC	M12-18C, M12-18FC
소음 정보		
EN 62841에 따라 판별한 측정 값. 일반적인 톨의 A-가중 소음 레벨:		
음압 레벨(불확정 K=3dB(A))	75.27 dB(A)	75.27 dB(A)
음향 파워 레벨(불확정 K=3dB(A))	86.27 dB (A)	86.27 dB (A)
귀마개를 착용하십시오!		
진동 정보		
EN 62841에 따라 판별한 총 진동 값(3축 백터 총합)		
진동 방출 값 a_{h1}	0.48 m/s ²	0.48 m/s ²
불확정성 K=	1.5 m/s ²	1.5 m/s ²

경고!

본 정보 시트에 제공되어 있는 진동 배출 레벨은 EN 62841에 제공된 표준 시험 절차에 따라 측정되었으며 이를 사용하여 제품을 서로 비교할 수 있습니다. 예비 노출 평가에 이를 사용할 수도 있습니다.

제시된 진동 배출 레벨은 제품에 가해진 주요 진동을 나타냅니다. 하지만 다른 부속품이 있거나 적절히 유지 관리되지 않은 다른 응용 기기에 제품을 사용할 경우, 진동 배출이 다를 수 있습니다. 이는 전체 작동 시간 동안 노출 레벨을 상당히 증가시킬 수 있습니다.

진동 노출 레벨을 예측할 때 톨 스위치를 차단하거나 구동 중이지만 실제 작업을 수행하지 않은 횟수도 고려해야 합니다. 이는 전체 작동 시간 동안 노출 레벨을 상당히 감소시킬 수 있습니다.

추가적인 안전 조치를 파악하여 제품 및 부속품을 유지 관리, 손을 따뜻하게 유지 및 작업 패턴 구성 등 진동 효과로부터 작업자를 보호하십시오.

⚠ 경고! 공구와 함께 제공된 제반 안전 경고, 사용 설명서, 그림 및 사양을 숙지하십시오. 아래의 지침을 따르지 않으면 전기 충격, 화재 및 중대한 부상을 초래할 수 있습니다.

항후 참조할 수 있도록 경고 문구와 설명서를 잘 보관해 두십시오.

⚠ 안전 주의사항

이 제품을 사용하는 작업자는 처음 작업하기 전에 그리고 그 이후 최소한 1년에 한 번 본 제품 사용과 관련된 특정한 위험 요소와 필수 안전 조치에 대한 교육을 받아야 합니다.

공구를 사용하는 회사의 준수 사항:

- 작업자에게 사용 설명서를 제공해야 함
- 작업자가 사용 설명서를 숙지하고 있는지 확인해야 함

라벨과 명판은 그대로 유지합니다. 라벨과 명판에는 중요 정보가 들어 있습니다. 판독 불가능하거나 누락된 경우, 교체해야 합니다.

도구를 사용할 때는 항상 일반 상식을 사용하고 신중해야 합니다. 위험한 결과를 초래할 수 있는 모든 상황을 예측할 수는 없습니다. 이 사용 설명서를 이해하지 못했거나 작업이 귀하의 능력을 넘어선다고 생각될 경우, 이 제품을 사용하지 마십시오. 추가적인 정보나 교육을 받으려면 MILWAUKEE Tool 또는 숙련된 전문가에게 문의하십시오.

전기가 흐르는 부품에 대해 압착 작업을 수행하지 마십시오. 이 공구는 절연되지 않습니다.

손과 헐린 옷을 요/다이 및 기타 움직이는 부품에서 멀리 두십시오. 팔, 다리 절단을 비롯한 심각한 부상의 위험이 있습니다.

보호 장구를 착용하십시오. 제품을 사용할 때 항상 보안경을 착용하십시오. 방호복 사용이 권고됨. 예: 분진 마스크, 방호 장갑, 견고하고 미끄럼 방지 신발, 헬멧, 방음장치

상해 위험을 줄이려면 제품을 작동하거나 정비할 때 측면 보호 장치가 있는 보안경이나 안경을 착용하십시오. 재료가 깨지거나 부서질 수 있습니다.

부상 및 손상을 방지하려면 제품이 우발적으로 시동되지 않도록 하십시오.

요 및 절단 다이 영역에 제품을 두지 마십시오.

사용하기 전에 항상 다이와 요에 균열 및 기타 마모 징후가 없는지 점검하십시오.

기술적인 사용 조건이 충족된 경우에만 스레드 로드 절단기, 배터리 팩 및 충전기를 사용하십시오.

손상 부품은 인가된 정비소에서 즉시 수리하십시오.

제품에서 어떠한 작업을 시작하기 전에 배터리 팩을 제거하십시오.

다이가 설치되어 있지 않은 제품은 사용하지 마십시오. 다이가 제 위치에 있거나 없는 상태에서도 손가락이 분쇄될 수 있습니다.

절단 작업을 시작하기 전에 세팅 공구와 렌치를 모두 제거하십시오.

부상 및 손상을 방지하려면 공구, 분리형 배터리 또는 충전기를 액체에 침수시키거나 액체가 통과하지 않도록 해야 합니다.

손을 다이 근처에 넣어야 하는 짧은 작업편 재료를 절단하지 마십시오.

작업편은 기계적인 힘에 노출되지 않아야 합니다.

폭발, 전기 쇼크와 재산 및 장비 손상 위험을 줄이려면 전기가 흐르는 물체에서 사용하지 마십시오.

이 공구는 절연되지 않습니다. 전기가 흐르는 회로와 접촉할 경우 심각한 부상이나 사망이 초래될 수 있습니다.

절삭용 다이는 매우 날카롭습니다. 모든 절단 가장자리 및 이동 부품으로부터 손을 멀리 유지하십시오. 손을 다이 근처에 넣어야 하는 짧은 작업편 재료를 절단하지 마십시오. 열상과 절단이 발생할 수 있습니다.

경고! 파우더 샌딩, 톱질, 연삭, 드릴링 및 기타 시공 활동으로 인해 생성된 일부 먼지에는 암, 선천적 결손증 또는 기타 생식 유해 요소를 유발하는 것으로 알려진 화학 물질이 포함되어 있습니다. 이러한 화학 물질에 대한 몇 가지 예:

- 납 기반 페인트에서 배출된 납
- 벽돌, 시멘트 및 기타 회반죽 제품에서 배출된 결정성 실리카 및
- 화학 처리 목재에서 배출된 비소 및 크롬.

이러한 노출에 대한 위험은 이러한 유형의 작업을 얼마나 자주 수행했는가에 따라 다릅니다. 이러한 화학 물질에 대한 노출을 줄이려면

- 환기가 잘되는 곳에서 작업하고,
- 미세한 입자를 여과하기 위해 특별히 고안된 먼지 마스크와 같은 승인된 안전 장구를 착용한 상태로 작업하십시오.

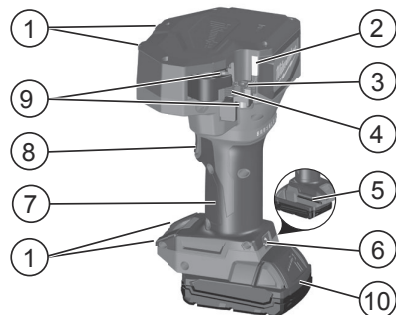
System M18 배터리 팩을 충전하려면 System M18 충전기만 사용하십시오. 다른 시스템의 배터리 팩을 사용하지 마십시오.

배터리 팩과 충전기를 개방하지 말고, 건조한 곳에 보관하십시오. 항상 건조한 상태로 유지하십시오.

⚠ 추가 배터리 안전 주의사항

경고! 단락 회로로 인한 화재, 작업자 부상 및 제품 손상 위험을 줄이려면 툴, 배터리 팩 또는 충전기를 유체에 침수시키거나 유체가 내부로 흘러들어가지 않도록 해야 합니다. 해수, 특정한 산업용 화학 물질 및 표백제 또는 표백제 함유 제품 같은 부식성 또는 전도성 유체 등은 단락 회로를 야기할 수 있습니다.

기능 설명



1. 벤치 톱 지원
2. LED
3. 고정형 다이
4. 이동식 다이
5. 육각 렌치 (5 mm)
6. 릴리스 트리거
7. 손잡이 / 절연 그립 표면
8. 트리거
9. 육각 소켓 볼트
10. 배터리

지정된 사용 조건

이 견고한 스프레드 로드 절단기는 전문가용으로 설계되었습니다.

경고! 부상의 위험을 줄이려면 절단 다이용 재료만 절단하십시오("기술 데이터" 참조). 다른 재료를 절단하려고 시도하지 마십시오.

이 제품은 스프레드 로드를 깨끗하고 거친 부분이 없도록 절삭하므로 추가적인 마감 처리 없이 너트를 손으로 조일 수 있습니다. 작업편의 품질, 먼지 및 스케일은 수나사 너트에 영향을 줄 수 있습니다.

참고: 아래 나열된 크기의 제품과 재료를 절단할 때 이 제품을 사용하십시오. 다른 크기나 재료는 제품과 작업편을 손상시킬 수 있습니다.

습기나 가연성 액체 또는 가스가 있는 환경에서 사용하지 마십시오.

단련된 볼트, 다른 크기의 나사 또는 보강 로드를 절단하는 데 사용하지 마십시오.

참고: 로드 절단기는 손으로 너트를 컷 로드 밑에 밀어넣도록 설계되었습니다. 나사 품질, 표면 마감 처리(즉, 아연 도금 또는 도금), 오일 및 스케일은 너트가 컷 로드 상에 자유롭게 끼워지는 능력에 영향을 줄 수 있습니다.

경고! 사이클을 완료하지 않고 다이를 열어야 하는 경우 메인 핸들을 절대로 놓지 마십시오. 다른 손으로 표시등이 꺼질 때까지 예비 버튼을 누릅니다. 손을 다시 작업편에 올려 놓고 단단히 고정합니다. 그런 다음, 제품이 자동으로 멈출 때까지 메인 트리거를 눌러 다이를 엽니다.

용도

제품을 사용할 때 항상 보안경을 착용하십시오.

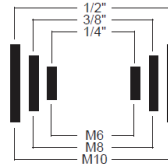
절삭용 다이는 매우 날카롭습니다. 모든 절단 가장자리 및 이동 부품으로부터 손을 멀리 유지하십시오. 손을 다이 근처에 놓아야 하는 짧은 작업편 재료를 절단하지 마십시오. 열상과 절단이 발생할 수 있습니다.

머리 위에서 제품을 사용하는 동안 로드 양쪽 끝을 고정하여 절삭 작업이 완료될 때 작업편이 떨어지지 않도록 하십시오.

절단

1. 절단 다이가 적절한 로드 크기에 맞게 정렬되어 있는지 확인합니다.
2. 육각 볼트가 단단히 조여져 있는지 확인합니다.
3. 작업편을 고정하고 절단 길이를 표시합니다.

주의: 제품, 절단 다이 및 작업편이 손상되지 않도록 절단하기 전에 재료를 요에 맞춥니다. 요 위와 아래에 있는 마크를 사용하여 재료가 올바르게 정렬되도록 합니다.



4. 배터리 팩을 삽입합니다.
5. 나사산 로드를 고정 절단 다이의 절단 홈에 단단히 고정합니다.
6. 제품을 단단히 잡습니다. 절단 다이에서 손을 떼지 말고 트리거를 계속 당깁니다. 절단하는 동안 로드가 똑바로 고정되어 있는지 확인합니다.
7. 작업하는 동안 트리거를 계속 당깁니다. 요를 완전히 개방하면 제품이 절단 작업을 자동으로 수행합니다. 트리거를 해제합니다.

참고: 요가 완전히 열리지 않으면 제품은 역방향 모드로 들어갑니다.

되돌아가기 버튼

절단 사이클을 완료하지 않고 절단 요를 열어야 하는 경우:

1. 트리거를 해제합니다.
2. 되돌아가기 버튼을 누릅니다. 그러면 버튼 표시등이 켜집니다.
3. 트리거를 당기고 절단 요가 완전히 열릴 때까지 제품을 확실히 고정합니다.

참고: 요가 완전히 열리지 않으면 제품은 역방향 모드로 들어갑니다.

절단 다이 걸림

절단 작업 이후에 먼지와 잔해물로 인해 절단 다이가 걸릴 수 있습니다. 제품을 끄지만 절단 요가 여전히 닫혀 있는 경우:

1. 되돌아가기 버튼을 누르고 절단 요가 완전히 열릴 때까지 트리거를 당깁니다.

효과가 없으면

1. 배터리 팩을 분리합니다.
2. "절단 다이 제거/교체" 절차에 따라 절단 다이를 제거, 청소 및 재설치하십시오.

유지 관리

제품에서 어떠한 작업을 시작하기 전에 배터리 팩을 제거하십시오.

스프레드 로드 절단기, 탈착식 배터리 또는 충전기를 열지 마십시오. 제품에 영향을 미칠 수 있는 잠음 또는 이동 부품의 걸림 등 문제가 없는지 스프레드 로드 커터를 점검하십시오.

절단 공구에 균열이나 다른 마모 징후가 없는지 점검하십시오.

개구부에서 먼지와 이물질을 청소합니다. 손잡이를 깨끗하고 건조하게 유지하고 오일이나 그리스가 없어야 합니다. 특정 세제 및 용제는 플라스틱 및 기타 절연 부품에 유해할 수 있으므로 연성 비누와 젖은 헝겊만 사용하여 청소하십시오. 이러한 세제의 일부 예로는 가솔린, 테레빈유, 래커 희석제, 페인트 희석제, 염소 처리 청소 용제, 암모니아 및 암모니아가 함유된 가정용 세제를 들 수 있습니다. 공구 주변에서 가연성 솔벤트를 사용하지 마십시오.

다이가 날카로운지 점검하고 마오된 다이는 교체하십시오.

찌거나 손상된 경우 해당 다이를 교체하십시오. 다이를 항상 하나의 세트로 교체하십시오. MILWAUKEE 다이만 사용하십시오.

부상 및 손상을 방지하려면 공구, 분리형 배터리 또는 충전기를 액체에 침수시키거나 액체가 통과하지 않도록 해야 합니다.

제품의 통기구를 항상 깨끗하게 유지해야 합니다.

추가적인 경정비 및 수리 작업은 인가된 전문 정비소에서만 수행해야 합니다.

반드시 MILWAUKEE 부속품과 MILWAUKEE 예비품을 사용하십시오. 설명서에 제공되어 있지 않은 구성품을 교체할 필요가 경우 MILWAUKEE 서비스 센터 중 한 곳에 연락하십시오(보충/서비스 센터 주소 목록을 참조).

필요 시, 제품의 분해 조립도를 주문할 수 있습니다. 라벨에 인쇄되어 있는 제품 유형과 유품 번호를 알려주고 현지 서비스 대리점에서 직접 도면을 주문하십시오.

배터리

50°C(122°F)를 초과하는 온도는 배터리 팩의 성능을 저하시킵니다. 열이나 햇볕에 오래 노출시키지 마십시오(과열 위험).

충전기 접점 및 배터리 팩을 청결한 상태로 유지해야 합니다.

최적의 수명을 보장하려면 사용한 후에 배터리 팩을 완전히 충전해야 합니다. 장시간 사용하지 않은 배터리 팩은 사용하기 전에 충전해야 합니다.

배터리 수명을 최대한 연장하려면 완전히 충전된 경우 충전기에서 배터리 팩을 제거하십시오.

30일 이상 배터리 팩을 보관하는 경우:

- 온도가 27°C 미만이며 습기가 없는 장소에 배터리 팩을 보관하십시오.
- 배터리 팩을 30% - 50% 충전된 조건으로 보관하십시오.
- 보관한지 6개월이 경과할 때마다 팩을 정상적으로 충전하십시오.

가정 폐기물에 있는 사용된 배터리 팩은 폐기하지도 말고, 돼워서 처리하지도 마십시오. 밀워키 유통회사가 환경 보호를 위해 다 쓴 배터리를 회수해 주시기를 제안함.

배터리 팩을 금속 물체와 함께 보관하지 마십시오(단락 회로 위험).

극심한 부하 또는 극심한 온도 조건에서 손상된 배터리로부터 배터리 산이 누출될 수 있습니다. 배터리 산과 접촉한 경우, 비눗물로 즉시 세척하십시오. 눈과 접촉할 경우, 최소 10분 동안 철저히 세정한 후 즉각적인 의료 조치를 취하십시오.

충전기의 배터리 부위에 어떤 금속 조각도 들어가서는 안됩니다(합선 위험이 있습니다).

리튬 배터리의 운송

리튬 이온 배터리는 위험물 법률 요건의 적용을 받습니다.

이 배터리는 현지, 국내 및 국제 규정과 법규에 따라 운송해야 합니다.

사용자는 추가 요건 없이 배터리를 도로를 통해 운반할 수 있습니다.

제3자가 리튬 이온 배터리를 상용으로 운송할 때에는 위험물 규정의 적용을 받습니다. 운송 준비 및 운송 작업은 적절히 교육을 이수한 개인만 수행해야 하고 그 과정에 해당 전문가가 동행해야 합니다.

배터리 운송 시 :

- 배터리 접촉면을 보호 및 차단하여 합선 위험을 방지하십시오.
- 배터리 팩이 포장 내에서 움직이지 않도록 고정하십시오.
- 균열 또는 누출이 있는 배터리는 운송하지 마십시오.

추가 지침은 운송 회사에 확인하십시오.

기호



제품을 시동하기 전에 주의하여 설명서를 읽으십시오.



제품을 사용할 때 항상 안전경을 착용하십시오.



인장력



주의! 경고! 위험!



제품에서 어떠한 작업을 시작하기 전에 배터리 팩을 제거하십시오.



손을 절단 중인 톨 및 기타 이동 부품과 멀리 두십시오. 절단 매커니즘에 손가락이 끼어 손가락이 절단되거나 부상을 당할 수 있습니다.



부속품 - 기본 제품에는 포함되어 있지 않습니다. 부속품으로 별도 구입해야 합니다.



전동 공구, 배터리/충전식 배터리는 가정용 쓰레기와 함께 버리지 마십시오. 수명이 다한 전동 공구와 배터리는 별도로 수거하여 환경적으로 호환되는 재생 시설로 반품해야 합니다. 재활용에 관한 조건과 수거 지점에 대해서는 지방 정부당국이나 소매업자에게 확인하십시오.



전압

직류

ข้อมูลทางเทคนิค	M18 BLTRC	M18 BLTRCM
แรงดันไฟแบตเตอรี่	18 V	18 V
ช่วงการตัด		
เหล็กอ่อน	1/4" – 20 3/8" – 16 1/2" – 12	M 6 × 1 M 8 × 1.25 M 10 × 1.5 M 12 × 1.75
เหล็กกล้าไร้สนิม	1/4" – 20 3/8" – 16	M 6 × 1 M 8 × 1.25 M 10 × 1.5
น้ำหนักตามขั้นตอนของ EPTA 01/2014 (Li-Ion 2.0 Ah–12.0)	3.9 kg – 5.0 kg	3.9 kg – 5.0 kg
อุณหภูมิในการทำงานที่แนะนำ	-18°C – +50°C	-18°C – +50°C
อุณหภูมิการทำงาน	0°F – 125°F	0°F – 125°F
ชุดแบตเตอรี่ที่แนะนำ	M18B, M18HB	M18B, M18HB
ที่ชาร์จที่แนะนำ	M12-18C, M12-18FC	M12-18C, M12-18FC
ข้อมูลเกี่ยวกับเสียงรบกวน		
ค่าที่วัดที่กำหนดตาม EN 62841 โดยทั่วไป ระดับเสียงรบกวน A ตามน้ำหนักของเครื่องมือมีค่าเท่ากับ:		
ระดับความดันเสียง (ค่า K แปรผัน = 3dB(A))	75.27 dB(A)	75.27 dB(A)
ระดับกำลังเสียง (ค่า K แปรผัน = 3dB(A))	86.27 dB (A)	86.27 dB (A)
อย่าลืมใส่อุปกรณ์ป้องกันหู!		
ข้อมูลเกี่ยวกับการสั่น		
ค่าการสั่นโดยรวม (ค่าสรุปเวกเตอร์ 3 ทิศทาง) ที่กำหนดตาม EN 62841		
ค่าการปล่อยการสั่นสะเทือน a _h	0.48 m/s ²	0.48 m/s ²
ค่า K แปรผัน =	1.5 m/s ²	1.5 m/s ²

คำเตือน!

ระดับการสั่นสะเทือนที่ไว้ในเอกสารนี้ได้รับการวัดให้สอดคล้องกับการทดสอบมาตรฐานตาม EN 62841 และอาจใช้เปรียบเทียบผลิตภัณฑ์หนึ่งกับอีกผลิตภัณฑ์หนึ่ง ซึ่งอาจใช้ในการประเมินการสั่นสะเทือนเบื้องต้น

ระดับการสั่นสะเทือนที่แจ้งไว้คือระดับที่เกิดขึ้นจากการใช้งานหลัก อย่างไรก็ตาม หากใช้งานผลิตภัณฑ์ในลักษณะอื่น ด้วยอุปกรณ์เสริมที่แตกต่างจากที่แนะนำไว้ หรือขาดการบำรุงรักษาที่เหมาะสม แรงสั่นสะเทือนที่ส่งออกมาอาจมีการเปลี่ยนแปลงไป ซึ่งอาจเพิ่มระดับการสั่นสะเทือนขึ้นอย่างมากตลอดช่วงการทำงานทั้งหมด

การประมาณระดับการสั่นสะเทือนควรครอบคลุมถึงช่วงเวลาที่ใช้การใช้งานเครื่องมือหรือเครื่องมือยังเดินเครื่องแต่ไม่ได้ทำงานจริงด้วย ซึ่งอาจลดระดับการสั่นสะเทือนลงอย่างมากตลอดช่วงการทำงานทั้งหมด

อ่านมาตรการด้านความปลอดภัยเพิ่มเติมเพื่อปกป้องผู้ใช้จากผลของแรงสั่นสะเทือน เช่น การบำรุงรักษาผลิตภัณฑ์และอุปกรณ์เสริม การคอยดูแลให้พร้อม และการวางแผนรูปแบบการทำงานให้เป็นระเบียบ

คำเตือน! อ่านวิธีใช้ ภาพประกอบ ข้อมูลจำเพาะ และคำเตือนด้านความปลอดภัยทั้งหมดที่หามาทำผลิตภัณฑ์ การไม่ปฏิบัติตามคำแนะนำที่แสดงอยู่ด้านล่าง อาจทำให้เกิดไฟฟ้าช็อต ไฟฟ้าไหม้ และ/หรือการบาดเจ็บรุนแรงได้

โปรดเก็บเอกสารคำเตือนและคำแนะนำทั้งหมดเพื่อใช้อ้างอิงในอนาคต

คำเตือนความปลอดภัย

ผู้ปฏิบัติงานกับผลิตภัณฑ์นี้ต้องได้รับคำแนะนำถึงอันตรายเฉพาะที่เกี่ยวข้องกับการใช้ผลิตภัณฑ์นี้ และมาตรการความปลอดภัยที่สำคัญก่อนการทำงานกับเครื่องเป็นครั้งแรก และได้รับคำแนะนำอย่างน้อยปีละหนึ่งครั้งหลังจากนั้น

บริษัทที่ปฏิบัติงานต้อง:

- จัดเตรียมคู่มือปฏิบัติงานให้พร้อมสำหรับผู้ปฏิบัติงานและ
- รับรองว่าผู้ปฏิบัติงานได้อ่านและทำความเข้าใจ

รักษาป้ายกำกับและแผ่นป้ายชื่อไว้ให้อยู่ในสภาพสมบูรณ์ ป้ายเหล่านี้มีข้อมูลสำคัญ หากอ่านไม่ได้หรือมีใครลบ จะต้องเปลี่ยนใหม่

โปรดใช้สามัญสำนึกและระมัดระวังตลอดเวลาเมื่อใช้เครื่องมือ ไม่สามารถคาดการณ์ได้ทุกสถานการณ์ ซึ่งอาจส่งผลให้เกิดอันตรายได้ อย่าใช้ผลิตภัณฑ์นี้หากคุณไม่เข้าใจคำแนะนำในการใช้งานเหล่านี้หรือคุณรู้สึกว่าเป็นงานที่เกินความสามารถของคุณ โปรดติดต่อ MILWAUKEE Tool หรือมีอาอาชพีที่ผ่านการฝึกอบรมสำหรับข้อมูลเพิ่มเติมหรือการฝึกอบรม

ห้ามใช้งานกับชิ้นส่วนที่มีกระแสไฟฟ้าไหลผ่าน เครื่องมือไม่ได้หุ้มฉนวน

ห้ามสวมใส่เสื้อผ้าหลวมๆ และมือเข้าไปใกล้กัมจับ/เครื่องตัดและชิ้นส่วนที่เคลื่อนที่หรืออื่นๆ มีความเสี่ยงต่อการบาดเจ็บสาหัส รวมถึงสูญเสียแขนขา

โปรดใช้อุปกรณ์ป้องกัน สวมแว่นตานิรภัยทุกครั้งที่ใช้ผลิตภัณฑ์นี้ แนะนำให้สวมเสื้อผ้าที่ใช้เพื่อการป้องกัน เช่น หน้ากากกันฝุ่น ถุงมือป้องกัน รองเท้ากันลื่นที่มีความทนทาน หมวกกันน็อกและเครื่องป้องกันหู

เพื่อลดความเสี่ยงในเรื่องการบาดเจ็บ ให้สวมแว่นตานิรภัยหรือแว่นตาที่มีแผ่นป้องกันด้านข้างขณะใช้งานหรือซ่อมแซมผลิตภัณฑ์ วัสดุอาจจะแตกหรือแตกกระเด็นได้

เพื่อหลีกเลี่ยงการได้รับบาดเจ็บหรือความเสียหาย ควรหลีกเลี่ยงการสตรัทผลิตภัณฑ์โดยไม่ได้ตั้งใจ

ห้ามจับผลิตภัณฑ์ที่บริเวณกัมจับและเครื่องตัด

ตรวจสอบเครื่องตัดและกัมจับเพื่อหอรอยแตกและร่องรอยการสึกหรอก่อนการใช้งานทุกครั้ง

ใช้เฉพาะเครื่องตัดแห้งเกลียว ชุดแบตเตอรี่ และเครื่องชาร์จที่อยู่ในสภาพสมบูรณ์เท่านั้น

หากพบชิ้นส่วนเสียหาย ให้ส่งซ่อมที่ศูนย์ที่ได้รับอนุญาตทันที

ถอดชุดแบตเตอรี่ออกก่อนเริ่มกระทำใดๆ กับผลิตภัณฑ์

ห้ามใช้ผลิตภัณฑ์ที่ไม่ได้ติดตั้งเครื่องตัด นิ้วอาจถูกบิดไม่ว่าจะมีเครื่องตัดหรือไม่ก็ตาม

นำเครื่องมือการตั้งค่าและประแจทั้งหมดออกก่อนทำการตัด

ห้ามจับเครื่องมือ แบตเตอรี่ชนิดถอดได้ หรือที่ชาร์จลงในของเหลวหรือปล่อยให้ของเหลวซึมผ่านเพื่อหลีกเลี่ยงการบาดเจ็บหรือความเสียหาย

หลีกเลี่ยงการตัดชิ้นงานสั้นๆ ที่ทำให้มือต้องเข้าไปใกล้เครื่องตัด

ชิ้นงานอาจจะไม่ได้รับแรงกดใดๆ

ห้ามตัดวัตถุที่มีกระแสไฟฟ้าไหลผ่าน เพื่อลดความเสี่ยงในการระเบิด ไฟฟ้าช็อต และความเสี่ยงต่อทรัพย์สินและอุปกรณ์

เครื่องมือไม่ได้หุ้มฉนวน การสัมผัสกับวงจรไฟฟ้าที่มีไฟฟ้าไหลผ่านอาจทำให้บาดเจ็บสาหัสหรือเสียชีวิตได้

เครื่องมือตัดมีความคม ระมัดระวังอาจขอบที่ตัดหรือชิ้นส่วนที่เคลื่อนไหว หลีกเลี่ยงการตัดชิ้นงานสั้นๆ ที่ทำให้มือต้องเข้าไปใกล้เครื่องตัด เพราะอาจบาดเจ็บหรือตัดแขนขาได้

คำเตือน! ฝุ่นผงบางส่วนที่เกิดจากการตัดด้วยกระดาษทราย การเลื่อยการขัด การเจาะ และกิจกรรมด้านการก่อสร้างอื่น ๆ จะมีส่วนที่เป็นที่รู้จักกันดีว่าส่งผลให้เกิดมะเร็ง ความผิดปกติแต่กำเนิด หรืออันตรายอื่น ๆ เกี่ยวกับการสูดดมฝุ่นนี้ ตัวอย่างบางส่วนของสารเคมีเหล่านี้ ได้แก่

- ตะกั่วจากสีที่ผสมสารตะกั่ว
- ซิลิกาแบบผลึกจากอิฐ ซีเมนต์ และผลิตภัณฑ์อื่น ๆ ที่ใช้สำหรับการก่อสร้าง และ
- สารหนูและโครเมียมจากไม้แปรรูปที่ทำการรักษาด้วยสารเคมี

ความเสี่ยงจากการสัมผัสกับสารเคมีเหล่านี้จะแตกต่างกันไป ขึ้นอยู่กับว่าคุณทำงานในลักษณะนี้อย่างไรเพียงใด วิถีลดความเสี่ยงจากสารเคมี:

- ทำงานในที่ที่มีอากาศถ่ายเทได้ดีและ
- ทำงานโดยใช้อุปกรณ์ป้องกันที่ได้รับการอนุมัติ เช่น หน้ากากกันฝุ่นที่ได้รับการออกแบบมาโดยเฉพาะเพื่อกรองอนุภาคที่มีขนาดเล็กลงมา

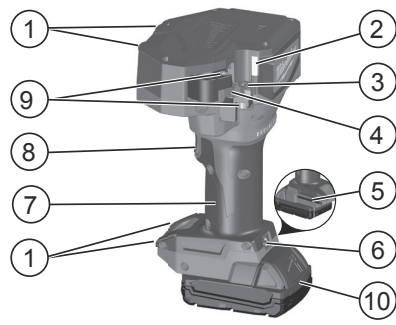
ชาร์จชุดแบตเตอรี่ System M18 ด้วยตัวชาร์จสำหรับ System M18 เท่านั้น อย่าใช้แบบเตอริจเจอร์ระบบอื่น ๆ

ห้ามเปิดทำลายแบตเตอรี่และเครื่องชาร์จและเก็บไว้ในห้องที่แห้งเท่านั้น เก็บให้แห้งทุกครั้ง

คำเตือนเพิ่มเติมเกี่ยวกับความปลอดภัยของแบตเตอรี่

คำเตือน! วิถีลดความเสี่ยงในการเกิดไฟไหม้ การบาดเจ็บส่วนบุคคล และความเสี่ยงหายต่อผลิตภัณฑ์ จากการสังเกต รอยชำรุด เครื่องมือ ก่อนแบตเตอรี่ หรือเครื่องชาร์จไฟลงในของเหลวหรือปล่อยให้ของเหลวซึมเข้าสู่ภายใน ของเหลวที่ทุกพรีกักก่อนหรือนำไปไฟอาจก่อให้เกิดการลัดวงจรได้ เช่น น้ำมัน เกล สารเคมีทางอุตสาหกรรมบางชนิด และผลิตภัณฑ์ฟอสซิลหรือมีส่วนผสมจากฟอสซิล เป็นต้น

รายละเอียดการใช้ประโยชน์



1. รองรับการจัดโต๊ะ
2. LED
3. เครื่องตัดแบบตายตัว
4. เครื่องตัดแบบเคลื่อนย้ายได้
5. ประแจหกเหลี่ยม (5 mm)
6. โปกสอย
7. มือจับ / พื้นผิวจับกันความร้อน
8. โปก
9. น็อตหัวจุกหกเหลี่ยม
10. แบตเตอรี่

สภาพการใช้งานที่กำหนด

เครื่องตัดแห้งเกลียวขนาดใหญ่นี้ได้รับการออกแบบมาสำหรับการใช้งานโดยมืออาชีพ

คำเตือน! เพื่อลดความเสี่ยงต่อการบาดเจ็บ ให้ตัดเฉพาะวัสดุสำหรับเครื่องตัดเท่านั้น (ดูที่ "ข้อมูลทางเทคนิค") อย่าพยายามตัดวัสดุอื่น ๆ

ผลิตภัณฑ์นี้สามารถตัดแห้งเกลียวได้อย่างแม่นยำสะอาดหมดจด ช่วยให้สามารถใส่เนื้อตบหมอนด้วยมือได้โดยไม่ต้องตกแต่งเพิ่มเติม คุณภาพชิ้นงาน เศษฝุ่น และขนาดอาจส่งผลต่อการขึ้นเนื้อด้วยมือ

หมายเหตุ: ใช้ผลิตภัณฑ์นี้เพื่อตัดวัสดุและในขนาดดังที่แสดงด้านล่าง ขนาดหรือวัสดุอื่นๆ อาจทำให้ผลิตภัณฑ์และชิ้นงานได้รับความเสียหาย

ห้ามทำงานหรือใช้งานภายใต้สภาพเปียกชื้นหรือในที่ที่มีของเหลวหรือก๊าซไวไฟ

ห้ามใช้ตัดสลักที่ไม้ไขเกลียวตลอด เกลียวที่มีขนาดต่างกัน หรือแท่งที่ได้รับการเสริมความแข็งแรง

หมายเหตุ: เครื่องตัดแห้งได้รับการออกแบบเพื่อให้ใส่เกลียวของเนื้อเข้าไปในแท่งตัดด้วยมือ คุณภาพของเกลียว พื้นผิวการตัด (เช่น การเคลือบสังกะสีหรือชุบ) สลักปรก และขนาดอาจส่งผลต่อความสามารถของการใส่เกลียวของเนื้อเข้าไปในแท่งตัดได้อย่างอิสระ

คำเตือน! ห้ามปล่อยด้ามจับหรือหากจำเป็นต้องเปิดเครื่องตัดโดยที่ยังตัดไม่เสร็จ ไข่มืออีกข้างของคุณเพื่อถอดปุ่มสำรองจนกว่าไฟแสดงสถานะจะสว่างขึ้น วางมือบนชิ้นงานแล้วจับให้แน่น จากนั้นกดสวิตช์สลักจนกว่าผลิตภัณฑ์จะหยุดโดยอัตโนมัติเพื่อเปิดเครื่องตัด

การใช้งาน

สวมแว่นตานิรภัยทุกครั้งที่ใช้ผลิตภัณฑ์นี้

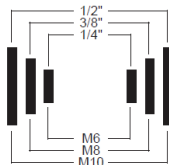
เครื่องตัดมีความคม ระวังมือจากขอบที่ตัดหรือชิ้นส่วนที่เคลื่อนไหว หลีกเลี่ยงการตัดชิ้นงานสั้นๆ ที่ทำให้มือต้องเข้าไปใกล้เครื่องตัด เพราะอาจบาดเจ็บหรือตัดแขนขาได้

ในระหว่างการใช้งานเหนือศีรษะ ต้องตรวจสอบให้แน่ใจว่าปลายทั้งสองของแท่งมีความมั่นคงเพื่อป้องกันชิ้นส่วนหล่นเมื่อตัดเสร็จ

การตัด

1. ต้องตรวจสอบให้แน่ใจว่าหัวตัดตรงกับขนาดแท่ง
2. ตรวจสอบให้แน่ใจว่ามีການชนสลักเกลียวทหกล้อมให้แน่นแล้ว
3. ยึดชิ้นงานให้แน่น แล้วทำเครื่องหมายความยาวของการตัด

โปรดทราบ: ปรับให้ชิ้นงานให้ตรงกับกับเครื่องตัดก่อนทำการตัด เพื่อป้องกันความเสียหายต่อผลิตภัณฑ์ หัวตัด และชิ้นงาน ใช้เครื่องหมายข้างบนและข้างล่างเครื่องตัดเป็นเส้นอ้างอิงเพื่อให้แน่ใจว่าชิ้นงานตรงแนวอย่างเหมาะสม



4. ใส่ชุดแบตเตอรี่
5. ปรับแนวแท่งเกลียว จับยึดให้มั่นคงและแน่นกับรองการตัดในหัวตัดที่อยู่กับที่
6. จับยึดที่ตัวผลิตภัณฑ์ให้มั่นคง ระวังอย่าให้มือทั้งสองเข้าไปใกล้หัวตัด ขณะดึงและกดไกส่งทำงาน ตรวจสอบให้แน่ใจว่าแท่งยึด

แนวตรงในระหว่างการตัด

7. ดึงและกดไกค้างไว้ตลอดการปฏิบัติงาน เมื่อเครื่องตัดเปิดออก สดุดระยะ ผลิตภัณฑ์จะปิดเครื่องโดยอัตโนมัติ ปล่อยให้

หมายเหตุ: ผลิตภัณฑ์นี้จะเข้าสู่โหมดย้อนกลับก็ต่อเมื่อก้ามจับยังไม่เปิดเต็มที่เท่านั้น

ปุ่มย้อนกลับ

หากจำเป็นต้องเปิดก้ามจับโดยที่ยังตัดไม่เสร็จ:

1. ปล่อยให้
2. กดปุ่มย้อนกลับ ไฟของปุ่มจะติด
3. ดึงสวิตช์และถือผลิตภัณฑ์ให้มั่นคงจนกระทั่งก้ามจับเปิดออกจนสุด

หมายเหตุ: ผลิตภัณฑ์นี้จะเข้าสู่โหมดย้อนกลับก็ต่อเมื่อก้ามจับยังไม่เปิดเต็มที่เท่านั้น

เครื่องตัดมีสิ่งตัดขัด

สิ่งสกปรกและเศษสิ่งต่างๆ อาจทำให้เครื่องตัดติดขัดหลังจากการตัดได้ หากผลิตภัณฑ์หยุดทำงานและก้ามจับยังคงปิดอยู่:

1. กดปุ่มย้อนกลับและกดสวิตช์จนกระทั่งก้ามจับเปิดออกจนสุด หากไม่ได้ผล
1. นำชุดแบตเตอรี่ออก
2. ถอด ทำความสะอาด และติดตั้งเครื่องตัดกลับเข้าไปใหม่ตามคำแนะนำใน "การถอด/เปลี่ยนเครื่องตัด"

การบำรุงรักษา

ถอดชุดแบตเตอรี่ออกก่อนเริ่มกระทำการใด ๆ กับผลิตภัณฑ์

ห้ามเปิดเครื่องตัดแห้งเกลียว แบตเตอรี่ชนิดถอดได้ หรือที่ชาร์จ ตรวจสอบเครื่องตัดแห้งเกลียวเพื่อดูว่ามีปัญหาใดๆ หรือไม่ เช่น เสียงรบกวนหรือการติดขัดของชิ้นส่วนเคลื่อนไหวที่อาจส่งผลต่อผลิตภัณฑ์

ตรวจสอบเครื่องมือสำหรับตัดเพื่อหารอยแตกและร่องรอยความสึกหรอ

ทำความสะอาดฝุ่นผงและเศษเล็กเศษน้อยออกจากช่องเปิด ทำให้ที่จับสะอาดแห้ง และปราศจากน้ำมันและน้ำมันหล่อลื่น ใช้เฉพาะสบู่อ่อนและผ้าหมาด ๆ ในการทำความสะอาดเท่านั้น เนื่องจากตัวหาละลายและสารทำความสะอาดบางอย่างเป็นอันตรายกับพลาสติกและชิ้นส่วนแบบมีฉนวนอื่น ๆ บางส่วนเหล่านี้ประกอบไปด้วยน้ำมันเชื้อเพลิง น้ำมันสน ทินเนอร์สำหรับแล็กเกอร์ ทินเนอร์ผสมสี คลอรีน ตัวหาละลายสารทำความสะอาด แอมโมเนีย และสารซักฟอกสำหรับใช้ภายในบ้านที่มีแอมโมเนีย ห้ามใช้ตัวหาละลายที่ติดไฟได้หรือไวไฟรอบๆ เครื่องมือ

ตรวจสอบว่าหัวตัดมีความคมและเปลี่ยนหัวตัดที่สึกหรอ

เปลี่ยนหัวตัดหากชำรุดหรือเสียหาย เปลี่ยนหัวตัดที่ชุดทุกครั้ง โดยเฉพาะหัวตัดของ MILWAUKEE

ห้ามจุ่มเครื่องมือ แบตเตอรี่ชนิดถอดได้ หรือที่ชาร์จลงในของเหลวหรือปล่อยให้ของเหลวซึมผ่านเพื่อหลีกเลี่ยงการบาดเจ็บหรือความเสียหาย

ต้องให้ช่องระบายอากาศเปิดโล่งอยู่ตลอดเวลา

การซ่อมบำรุงและการซ่อมแซมที่นอกเหนือจากนี้ต้องดำเนินการโดยโรงซ่อมเฉพาะทางที่ได้รับอนุญาตเท่านั้น

ใช้อุปกรณ์เสริมและชิ้นส่วนสำรองของ MILWAUKEE เท่านั้น หากจำเป็นต้องเปลี่ยนชิ้นส่วนที่ไม่ได้ระบุไว้ข้างต้น โปรดติดต่อพนักงานบริการของ MILWAUKEE (โปรดดูรายชื่อร้านรับประกัน/บริการของเรา)

ท่านสามารถส่งภาพกระดาษชิ้นส่วนประกอบของผลิตภัณฑ์ได้ หากต้องการ โปรดระบุหมายเลขเอกสารและประเภทเครื่องจักรที่พิมพ์บนฉลาก และส่งภาพที่ตัวแทนบริการในพื้นที่ของท่าน

แบตเตอรี่

ประสิทธิภาพของชุดแบตเตอรี่จะลดลงหากอุณหภูมิสูงกว่า 50°C (122°F) หลีกเลี่ยงไม่ให้ถูกแสงแดดหรือความร้อนเป็นเวลานาน (เสี่ยงต่อความร้อนเกิน)

ต้องหมั่นดูแลความสะอาดหน้าสัมผัสตัวชาร์จกับชุดแบตเตอรี่ เพื่อยืดอายุการใช้งาน ควรชาร์จแบตเตอรี่ให้เต็มหลังการใช้งาน ชุดแบตเตอรี่ใหม่มีขีดความจุไหลดเต็มหลังจากการชาร์จและปล่อย 4-5 ครั้ง ควรจะชาร์จชุดแบตเตอรี่ที่ยังไม่ได้ถูกนำมาใช้ระยะหนึ่งก่อน การใช้งาน

เพื่อรักษาอายุแบตเตอรี่ให้ยาวนานที่สุด ให้ถอดชุดแบตเตอรี่ออกจากตัวชาร์จเมื่อชาร์จไฟเต็ม

สำหรับชุดแบตเตอรี่ที่ต้องการเก็บไว้นานกว่า 30 วัน:

- เก็บชุดแบตเตอรี่ไว้ที่อุณหภูมิต่ำกว่า 27°C และหลีกเลี่ยงความชื้น
- เก็บชุดแบตเตอรี่ไว้ที่ประจุ 30% - 50%
- ให้ชาร์จแบตเตอรี่ตามปกติทุกหกเดือนที่เก็บ

ห้ามทิ้งแบตเตอรี่ที่ใช้แล้วกับขยะครัวเรือนหรือโดยการเผาทำลาย ผู้แทนจำหน่ายของ MILWAUKEE มีข้อเสนอในการกู้คืนแบตเตอรี่เก่าเพื่อปกป้องสภาพแวดล้อมของเรา

ไม่เก็บชุดแบตเตอรี่ไว้รวมกับวัตถุอื่นที่เป็นโลหะ (เสี่ยงต่อการลัดวงจร)

กรดแบตเตอรี่อาจรั่วซึมจากแบตเตอรี่ที่เสียหายภายใต้อุณหภูมิสูงหรือการใช้งานที่หนักมากเกินไป หากสัมผัสกับกรดแบตเตอรี่ ให้ล้างออกทันทีด้วยน้ำสบู่ หากกรดแบตเตอรี่เข้าตา ล้างตาให้ทั่วด้วยน้ำอย่างน้อย 10 นาทีและไปพบแพทย์ทันที

ห้ามไม่ให้มีชิ้นส่วนที่เป็นโลหะในสวนแบตเตอรี่ของตัวชาร์จ (เสี่ยงต่อการลัดวงจร)

การเคลื่อนย้ายแบตเตอรี่ลิเธียม

แบตเตอรี่ลิเธียมไอออนอยู่ภายใต้ข้อกำหนดตามกฎหมายของสินค้าอันตราย

การขนส่งแบตเตอรี่เหล่านี้ต้องกระทำตามกฎหมายและข้อบังคับของท้องถิ่น ของประเทศ และระหว่างประเทศ

ผู้ใช้สามารถขนส่งแบตเตอรี่ทางถนนได้โดยไม่มีข้อกำหนดใดๆ เพิ่มเติม

การขนส่งแบตเตอรี่ลิเธียมไอออนเชิงพาณิชย์โดยบุคคลอื่นต้องดำเนินการภายใต้กฎระเบียบว่าด้วยสินค้าที่มีอันตราย การเตรียมการขนส่งและการขนส่งต้องดำเนินการโดยบุคลากรที่ผ่านการฝึกอบรมมาแล้วเท่านั้น และในระหว่างดำเนินการต้องมีผู้เชี่ยวชาญที่เกี่ยวข้องคอยกำกับดูแล

เมื่อขนย้ายแบตเตอรี่:

- ตรวจสอบให้แน่ใจว่าตัวต่อแบตเตอรี่ได้รับการปกป้องและหุ้มฉนวนเพื่อป้องกันไฟฟ้าลัดวงจร
- โปรดตรวจดูให้แน่ใจว่าแบตเตอรี่ได้รับการบรรจุหีบห่ออย่างมั่นคงเพื่อป้องกันการขยับเขยื้อน
- ห้ามเคลื่อนย้ายแบตเตอรี่ที่แตกหรือรั่ว

ตรวจสอบกับบริษัทจัดส่งเพื่อขอคำแนะนำเพิ่มเติม

เครื่องหมาย



โปรดอ่านคำแนะนำอย่างละเอียดก่อนเริ่มใช้งานผลิตภัณฑ์



สวมแว่นตานิรภัยทุกครั้งที่ใช้ผลิตภัณฑ์นี้



แรงดึง



ระวัง! ค่าเตือน! อันตราย!



ถอดชุดแบตเตอรี่ออกก่อนเริ่มกระทำการใด ๆ กับผลิตภัณฑ์



ระวังไม่ให้มืออยู่ใกล้เครื่องตัดและส่วนที่เคลื่อนที่อื่น ๆ นิ้วของเท้าอาจติดในเครื่องตัด และได้รับบาดเจ็บหรือนิ้วขาดได้



อุปกรณ์เสริม - ไม่ได้ให้มากับชุดเครื่องมือมาตรฐาน แต่สามารถเลือกซื้อเป็นอุปกรณ์เสริมได้



อย่าทิ้งเครื่องมือไฟฟ้า แบตเตอรี่ แบตเตอรี่ชนิดชาร์จซ้ำได้รวมกับขยะในครัวเรือน ต้องทิ้งเครื่องมือไฟฟ้าและแบตเตอรี่ที่หมดอายุการที่ใช้งานแยกต่างหากและนำไปยังสถานที่รีไซเคิลที่เป็นมิตรกับสิ่งแวดล้อม ตรวจสอบกับผู้มีอำนาจในท้องถิ่นของคุณหรือร้านค้าปลีกสำหรับคำแนะนำในการรีไซเคิลและจุดเก็บรวบรวม



แรงดันไฟฟ้า



กระแสตรง

DATA TEKNIKIS	M18 BLTRC	M18 BLTRCM
Tegangan baterai	18 V	18 V
Rentang pemotongan		
Baja Lunak	1/4" – 20 3/8" – 16 1/2" – 12	M 6 × 1 M 8 × 1,25 M 10 × 1,5 M 12 × 1,75
Baja tahan berkarat	1/4" – 20 3/8" – 16	M 6 × 1 M 8 × 1,25 M 10 × 1,5
Bobot sesuai dengan Prosedur EPTA 01/2014 (Li-ion 2,0–12,0 Ah)	3,9 kg – 5,0 kg	3,9 kg – 5,0 kg
Suhu pengoperasian sekitar yang direkomendasikan	-18°C – +50°C	-18°C – +50°C
Suhu pengoperasian	0°F – 125°F	0°F – 125°F
Paket baterai yang direkomendasikan	M18B, M18HB	M18B, M18HB
Pengisi daya yang direkomendasikan	M12-18C, M12-18FC	M12-18C, M12-18FC

Informasi kebisingan

Nilai terukur yang ditentukan sesuai EN 62841. Biasanya, level kebisingan tertimbang A dari alat adalah:

Tingkat tekanan suara (K Ketidakpastian=3dB(A))	75,27 dB(A)	75,27 dB(A)
Tingkat daya suara (K Ketidakpastian=3dB(A))	86,27 dB (A)	86,27 dB (A)

Pakailah pelindung telinga!

Informasi vibrasi

Nilai total vibrasi (jumlah vektor triaksial) ditentukan sesuai dengan EN 62841

Nilai ah emisi getaran	0,48 m/s ²	0,48 m/s ²
K Ketidakpastian=	1,5 m/s ²	1,5 m/s ²

PERINGATAN!

Tingkat emisi getaran yang diberikan dalam lembar informasi ini telah diukur sesuai dengan uji terstandar yang diberikan dalam EN 62841 dan dapat digunakan untuk membandingkan satu produk dengan yang lainnya. Dapat digunakan untuk penilaian pendahuluan terhadap paparan.

Tingkat emisi getaran yang dinyatakan mewakili penggunaan utama produk ini. Namun, jika produk digunakan untuk penggunaan yang berbeda, dengan aksesoris yang berbeda, atau pemeliharaan yang kurang memadai, maka emisi getaran mungkin akan berbeda. Hal ini dapat meningkatkan tingkat paparan secara signifikan selama periode kerja total.

Estimasi tingkat paparan terhadap getaran juga harus diperhitungkan pada saat alat dimatikan atau ketika dijalankan tetapi tidak benar-benar bekerja. Hal ini dapat menurunkan tingkat paparan secara signifikan selama periode kerja total.

Tentukan langkah-langkah keselamatan tambahan untuk melindungi operator dari efek getaran seperti: memelihara produk dan aksesoris, menjaga agar tangan tetap hangat, dan mengelola pola kerja.

⚠ PERINGATAN! Baca semua peringatan keselamatan, petunjuk, ilustrasi, dan spesifikasi yang disertakan bersama produk. Tidak dipatuhinya semua petunjuk di bawah ini, dapat berakibat sengatan listrik, kebakaran, dan/atau cedera parah.

Simpan semua peringatan dan petunjuk sebagai referensi sewaktu-waktu.

⚠ PERINGATAN KESELAMATAN

Operator produk ini harus diberikan instruksi mengenai bahaya spesifik terkait penggunaan produk ini dan langkah-langkah keamanan penting sebelum bekerja dengan alat ini untuk pertama kali dan setidaknya diingatkan kembali setahun sekali sesudahnya.

Perusahaan pengguna harus:

- menyediakan manual pengoperasian bagi operator dan
- memastikan bahwa operator telah membaca dan mengerti manual tersebut

Jaga label dan pelat nama. Hal tersebut menyimpan informasi penting. Jika tidak terbaca atau hilang, harus diganti.

Selalu gunakan akal sehat dan berhati-hatilah saat menggunakan alat. Tidak mungkin untuk mengantisipasi setiap situasi yang dapat mengakibatkan dampak berbahaya. Jangan menggunakan produk ini jika Anda tidak memahami instruksi pengoperasian ini atau Anda merasa pekerjaannya di luar kemampuan Anda; hubungi MILWAUKEE Tool atau profesional terlatih untuk informasi atau pelatihan tambahan.

Jangan bekerja pada bagian yang teraliri listrik. Perkakas tidak berinsulasi.

Jauhkan tangan dan bagian pakaian yang longgar dari rahang/cetakan dan bagian bergerak lainnya. Dapat menimbulkan risiko cedera serius, termasuk anggota tubuh terpotong.

Gunakan peralatan pelindung. Selalu pakai kacamata goggle saat menggunakan produk ini. Dianjurkan memakai pakaian pelindung, seperti masker debu, sarung tangan pelindung, sepatu alas karet yang kokoh, helm, dan pelindung telinga.

Untuk mengurangi risiko cedera, kenakan kacamata pengaman atau kacamata dengan pelindung samping saat mengoperasikan atau memperbaiki produk. Material bisa pecah atau remuk.

Untuk menghindari cedera dan kerusakan, mencegah penyalaan alat yang tidak disengaja.

Jangan pernah memegang produk di area rahang dan cetakan pemotongan.

Sebelum menggunakan, selalu periksa rahang dan cetakan akan adanya retakan atau tanda-tanda keusangan lain.

Gunakan pemotong batang berulir, baterai dan pengisi baterai yang dalam kondisi teknis yang sempurna.

Suku cadang yang rusak harus segera diperbaiki di bengkel resmi.

Lepaskan paket baterai sebelum memulai pekerjaan apa pun pada produk.

Jangan menggunakan produk tanpa cetakan terpasang. Jari bisa diremukkan dengan atau tanpa cetakan berada di posisinya.

Lepaskan semua perkakas pengatur dan kunci pas sebelum melakukan pemotongan.

Untuk menghindari cedera dan kerusakan, jangan merendam perkakas, baterai lepasan atau pengisi daya baterai ke cairan atau membiarkan cairan masuk ke dalamnya.

Hindari memotong potongan material berukuran pendek yang memosisikan tangan di dekat cetakan.

Benda kerja mungkin tidak terpapar gaya mekanik apa pun.

Untuk menghindari risiko ledakan, tersengat listrik dan kerusakan pada bangunan dan peralatan, jangan gunakan pada objek beraliran listrik.

Perkakas tidak berinsulasi. Sambungan dengan jaringan berlistrik dapat menyebabkan cedera serius atau kematian.

Cetakan pemotongan tersebut tajam. Jauhkan tangan dari semua tepi pemotong dan bagian yang bergerak. Hindari memotong potongan material berukuran pendek yang memosisikan tangan di dekat cetakan. Dapat terjadi laserasi dan amputasi.

PERINGATAN! Debu yang dihasilkan oleh pengampelasan listrik, penggergajian, penggerindaan, pengeboran, dan aktivitas konstruksi lainnya mengandung bahan kimia yang diketahui dapat menyebabkan kanker, cacat lahir atau kerusakan reproduksi lainnya. Beberapa contoh bahan kimia ini adalah:

- timbal dari cat berbasis timbal
- silika kristal dari batu bata dan semen dan produk batu lainnya, dan
- arsenik dan kromium dari kayu yang diolah secara kimiawi.

Risiko Anda dari paparan bahan-bahan ini bervariasi, tergantung seberapa sering Anda melakukan jenis pekerjaan ini. Untuk mengurangi paparan Anda terhadap bahan-bahan kimia ini:

- bekerjalah di area yang berventilasi baik, dan
- dengan peralatan keselamatan yang diakui, seperti masker debu yang dirancang khusus untuk menyaring partikel mikroskopik.

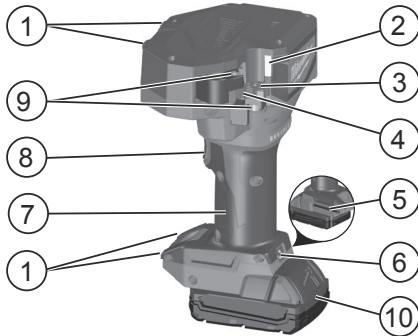
Hanya gunakan pengisi daya System M18 untuk mengisi daya paket baterai System M18. Jangan menggunakan unit baterai dari sistem lain.

Jangan sekali-kali membuka unit baterai dan pengisi daya serta hanya simpan di tempat kering. Jaga tetap kering setiap saat.

⚠️ PERINGATAN KESELAMATAN BATERAI TAMBAHAN

PERINGATAN! Untuk mengurangi risiko kebakaran, cedera pribadi, dan kerusakan produk akibat hubungan arus pendek, jangan pernah merendam alat, baterai atau charger Anda dalam cairan atau membiarkan cairan mengalir di dalamnya. Cairan korosif atau konduktif, seperti air laut, bahan kimia industri tertentu, dan produk pemutih atau yang mengandung pemutih, dan sebagainya, dapat menyebabkan hubungan arus pendek.

DESKRIPSI FUNGSIONAL



1. Penyangga benchtop
2. LED
3. Cetakan tetap
4. Cetakan bergerak
5. Kunci pas hex (5 mm)
6. Pemicu pelepas
7. Gagang / permukaan genggam berinsulasi
8. Pemicu
9. Baut soket hex
10. Baterai

KONDISI PENGGUNAAN KHUSUS

Pemotong batang ulir untuk tugas berat ini dirancang untuk aplikasi profesional.

PERINGATAN! Untuk mengurangi risiko cedera, hanya potong material untuk cetakan pemotongan (lihat "Data Teknis"). Jangan mencoba untuk memotong material lain.

Produk ini akan memotong batang berulir dengan bersih dan bebas beram, memungkinkan mur untuk digerakkan dengan tangan tanpa finishing tambahan. Kualitas benda kerja, kotoran, dan kerak dapat memengaruhi kemampuan untuk menggerakkan baut dengan tangan.

CATATAN: Gunakan produk ini untuk memotong objek berukuran dan yang terbuat dari material yang tercantum di bawah ini. Ukuran atau material lain akan merusak produk dan benda kerja.

JANGAN mengoperasikan atau menggunakan alat dalam kondisi basah atau di area yang ada cairan atau gas yang mudah terbakar.

JANGAN gunakan untuk memotong baut yang dikeraskan, ulir dengan ukuran berbeda, atau batang yang diperkuat.

CATATAN: Pemotong batang telah dirancang sedemikian rupa sehingga mur menyusup ke batang potong dengan tangan. Kualitas ulir, permukaan akhir (mis., galvanis atau berlapis), kotoran, dan kerak dapat memengaruhi kemampuan mur untuk secara bebas menyusup ke dalam batang potong.

PERINGATAN! Jika cetakan harus dibuka tanpa menyelesaikan putaran, jangan pernah melepaskan gagang utama. Gunakan tangan Anda yang lain untuk menekan tombol reserve sampai lampu indikator menyala. Letakkan kembali tangan pada benda kerja dan pegang dengan kuat. Kemudian tekan pemicu utama hingga produk berhenti secara otomatis untuk membuka cetakan.

PENGGUNAAN

Selalu pakai kaca mata goggle saat menggunakan produk ini.

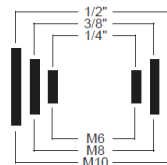
Cetakan pemotongan tersebut tajam. Jauhkan tangan dari semua tepi pemotong dan bagian yang bergerak. Hindari memotong potongan material berukuran pendek yang memosisikan tangan di dekat cetakan. Dapat terjadi laserasi dan amputasi.

Selama penggunaan di atas kepala, pastikan kedua ujung batang terikat untuk menghindari bagian yang jatuh ketika pemotongan selesai.

Memotong

1. Pastikan cetakan pemotongan sesuai untuk ukuran batang (rod) yang tepat.
2. Pastikan baut hex dikencangkan dengan kuat.
3. Amankan benda kerja, dan tandai panjang potongan.

PEMBERITAHUAN: Sejajarkan material dalam rahang sebelum pemotongan untuk menghindari kerusakan pada produk, cetakan pemotongan dan benda kerja. Gunakan tanda di atas dan di bawah rahang untuk memastikan material disejajarkan dengan tepat.



4. Masukkan baterai.
5. Sejajarkan batang berulir, tahan dengan kuat dan aman pada alur pemotongan dalam cetakan pemotongan tetap.
6. Genggam produk dengan kokoh. Jauhkan tangan dari cetakan pemotongan, tarik dan tahan pelatuk. Pastikan batang (rod) ditahan lurus selama pemotongan.
7. Terus tarik dan tahan pemicu selama pengoperasian. Ketika rahang terbuka sepenuhnya, produk akan mati secara otomatis.

Lepaskan pelatuknya.

CATATAN: Produk hanya akan memasuki mode mundur jika rahang tidak sepenuhnya terbuka.

Tombol Reverse

Jika rahang pemotongan harus dibuka tanpa menyelesaikan siklus pemotongan:

1. Lepaskan pelatuknya.
2. Tekan tombol reverse. Lampu tombol akan menyala.
3. Tarik pelatuk dan pegang produk dengan kuat sampai rahang pemotongan terbuka sepenuhnya.

CATATAN: Produk hanya akan memasuki mode mundur jika rahang tidak sepenuhnya terbuka.

Cetakan Pemotongan Macet

Debu dan kotoran dapat menyebabkan cetakan pemotongan melekat satu sama lain setelah pemotongan. Jika produk mati dan rahang pemotong masih tertutup:

1. Tekan tombol reverse dan tarik pelatuk sampai rahang pemotong terbuka sepenuhnya.

Jika cara ini tidak berhasil,

1. Lepaskan paket baterai.
2. Lepaskan, bersihkan, dan pasang kembali cetakan pemotongan sesuai instruksi "Melepaskan/ Memasang Kembali Cetakan Pemotongan."

PEMELIHARAAN

Lepaskan paket baterai sebelum memulai pekerjaan apa pun pada produk.

Jangan pernah membuka pemotong batang berulir, baterai lepasan atau pengisi daya baterai. Periksa pemotong batang berulir jika ada masalah seperti suara atau bagian bergerak yang macet yang dapat memengaruhi produk.

Periksa retakan atau tanda kerusakan lain pada perkakas pemotong.

Bersihkan debu dan kotoran dari bukaan. Jaga agar pegangan tetap bersih, kering, dan bebas dari minyak atau lemak. Gunakan hanya sabun ringan dan lap basah untuk membersihkannya, karena zat pembersih dan pelarut tertentu berbahaya bagi plastik dan bagian terinsulasi lainnya. Beberapa di antaranya adalah bensin, terpentin, tiner pernis, tiner cat, pelarut pembersih berklorin, amonia, dan detergen rumah tangga yang mengandung amonia. Jangan sekali-kali menggunakan bahan pelarut yang mudah terbakar di sekitar peralatan ini.

Pastikan cetakan pemotong tajam dan ganti mata cetakan yang sudah usang.

Ganti cetakan jika sudah retak atau rusak. Selalu ganti cetakan sebagai satu set. Hanya gunakan cetakan MILWAUKEE.

Untuk menghindari cedera dan kerusakan, jangan merendam perkakas, baterai lepasan atau pengisi daya baterai ke cairan atau membiarkan cairan masuk ke dalamnya.

Slot ventilasi produk tidak boleh tertutup sepanjang waktu.

Servis dan perbaikan lanjutan hanya dapat dilakukan

oleh pusat perbaikan resmi.

Gunakan hanya aksesoris MILWAUKEE dan suku cadang MILWAUKEE. Jika komponen harus diganti, namun belum ada penjelasannya, hubungi salah satu agen servis MILWAUKEE kami (lihat daftar alamat penggaransi/servis).

Jika diperlukan, gambar pecahan komponen dapat dipesan. Sebutkan no. artikel serta tipe mesin yang dicetak pada label dan pesan gambarnya di agen servis terdekat Anda.

BATERAI

Suhu yang melebihi 50°C (122°F) akan mengurangi kinerja paket baterai. Hindari paparan berkepanjangan terhadap panas atau sinar matahari (risiko panas berlebihan).

Kontak pada pengisi daya dan paket baterai harus dijaga kebersihannya.

Untuk masa pemakaian optimal, paket baterai harus diisi dayanya hingga penuh setelah digunakan. Pek baterai yang belum digunakan dalam satu jangka masa perlu dicas semula sebelum digunakan.

Untuk memaksimalkan masa pemakaian baterai, lepaskan paket baterai dari pengisi daya setelah terisi sepenuhnya.

Untuk penyimpanan paket baterai lebih dari 30 hari:

- Simpan paket baterai jika suhu berada di bawah 27°C dan jauhkan dari kelembapan.
- Simpan paket baterai dalam kondisi terisi dayanya 30% - 50%.
- Jika penyimpanan paket baterai mencapai enam bulan, isi daya baterai seperti biasa.

Jangan membuang unit baterai bekas dalam sampah rumah tangga atau membakarnya. Distributor MILWAUKEE menawarkan untuk mengambil baterai lama guna melindungi lingkungan kita.

Jangan menyimpan paket baterai bersama benda logam (risiko arus pendek).

Asam baterai dapat merembes dari baterai yang rusak akibat beban atau suhu yang ekstrem. Jika asam baterai mengenai Anda, segera cuci dengan sabun dan air. Jika mengenai mata, bilas sebanyak-banyaknya selama setidaknya 10 menit dan segera dapatkan penanganan medis.

Tidak ada komponen logam yang diperbolehkan memasuki kompartemen baterai pada pengisi daya (risiko arus pendek).

MENGANGKUT BATERAI LITUM

Baterai litium-ion tunduk pada persyaratan Legislasi Barang Berbahaya.

Pengangkutan baterai ini harus dilakukan sesuai regulasi dan peraturan daerah, nasional, dan internasional.

Pengguna dapat membawa baterai di jalan tanpa peraturan lebih lanjut.

Pengangkutan komersial baterai Litium-ion oleh pihak

ketiga tunduk pada peraturan Barang Berbahaya. Persiapan pengangkutan dan pengangkutan harus dilakukan oleh orang yang terlatih dan prosesnya harus didampingi oleh pakar yang terkait.

Ketika mengangkut baterai:

- Pastikan bahwa terminal kontak baterai terlindungi dan terisolasi untuk mencegah korsleting.
- Pastikan wadah baterai sudah dikencangkan agar tidak terpengaruh oleh pergerakan di dalam pengemasannya.
- Jangan mengangkut baterai yang retak atau bocor.

Tanyakan kepada perusahaan pengiriman untuk memperoleh pemberitahuan lebih lanjut.

SIMBOL



Baca petunjuk dengan cermat sebelum memulai menggunakan produk.



Selalu pakai kaca mata goggle saat menggunakan produk ini.



Gaya tarik



PERHATIAN! PERINGATAN! BAHAYA!



Lepaskan paket baterai sebelum memulai pekerjaan apa pun pada produk.



Jauhkan tangan dari alat pemotongan dan komponen bergerak lainnya. Jari-jari dapat terjebak dalam mekanisme pemotongan dan dapat diamputasi atau cedera.



Aksesori - Tidak disertakan dalam perlengkapan standar, tersedia sebagai aksesori.



Jangan membuang alat-alat listrik, baterai/baterai isi ulang bersama-sama dengan sampah rumah tangga. Peralatan listrik dan baterai yang telah mencapai akhir masa pakainya harus dikumpulkan secara terpisah dan dikembalikan ke fasilitas daur ulang yang kompatibel terhadap lingkungan. Tanyakan kepada pihak berwenang atau peritel setempat mengenai daur ulang dan titik pengumpulan.

V

Voltase



Arus Searah



