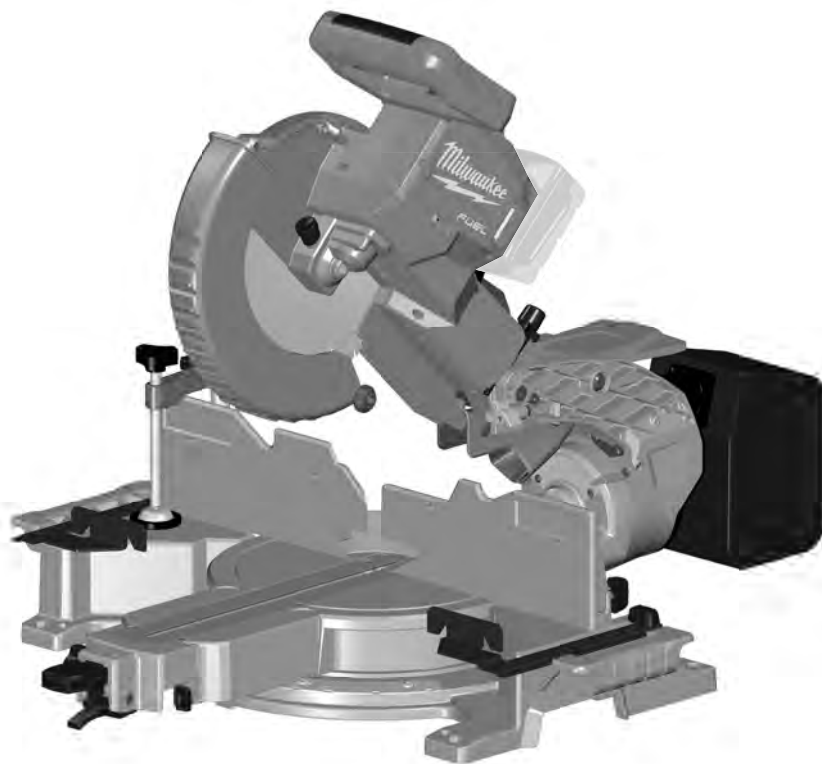


**Milwaukee®**

Nothing but **HEAVY DUTY.**®



## **M18 FMS254**

User Manual

操作指南

操作指南

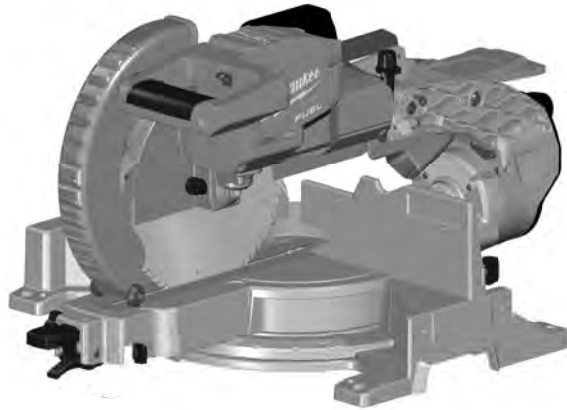
사용시 주의사항

คู่มือการใช้

Buku Petunjuk Pengguna







2



8



13

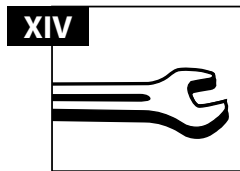
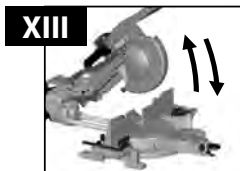
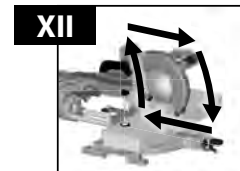
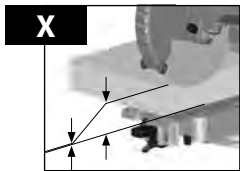
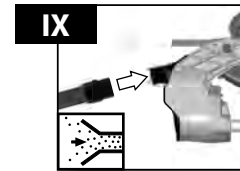
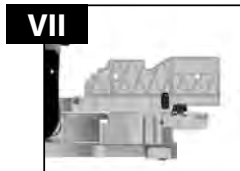
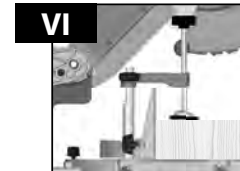
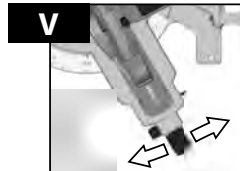
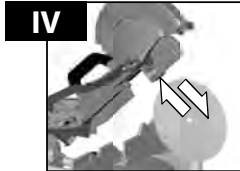
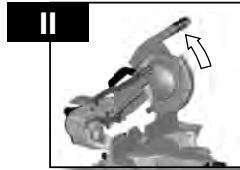
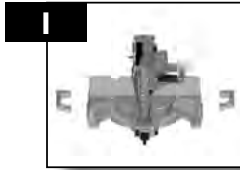


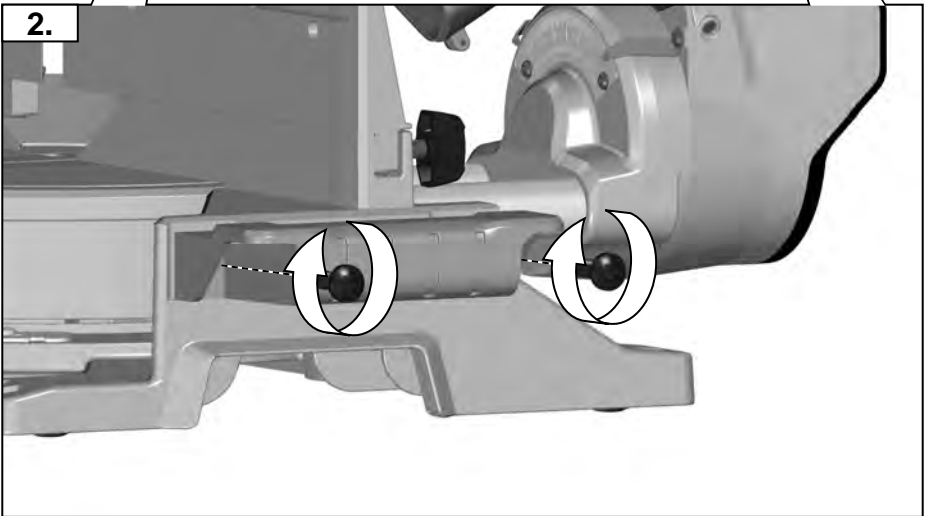
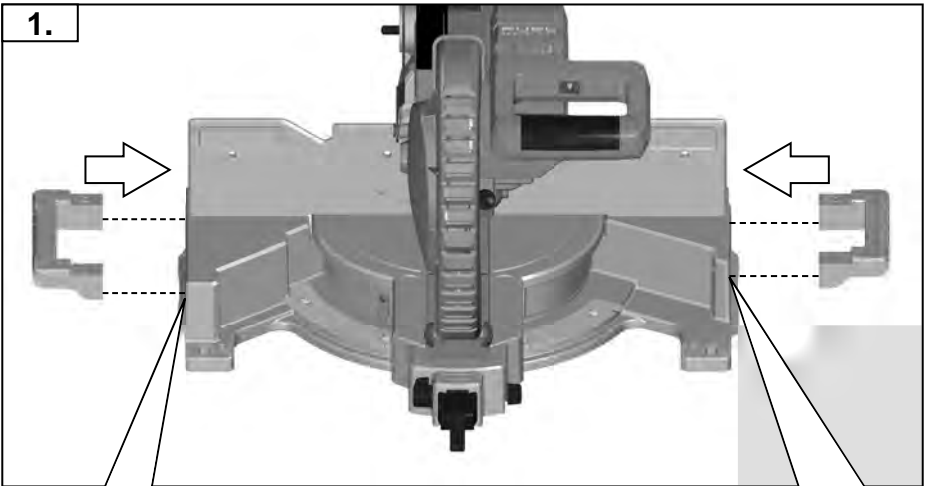
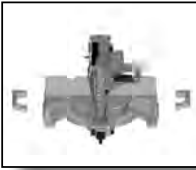
15

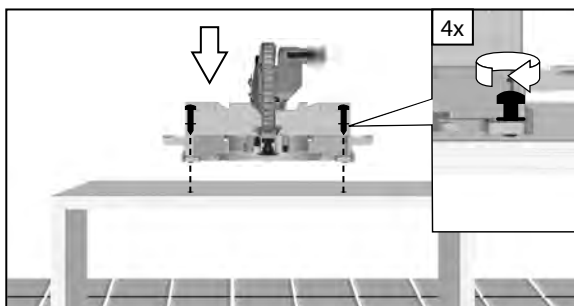


21

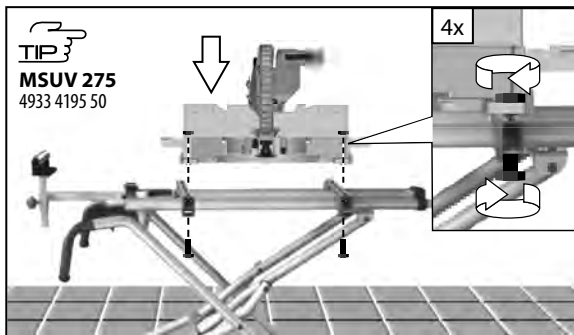
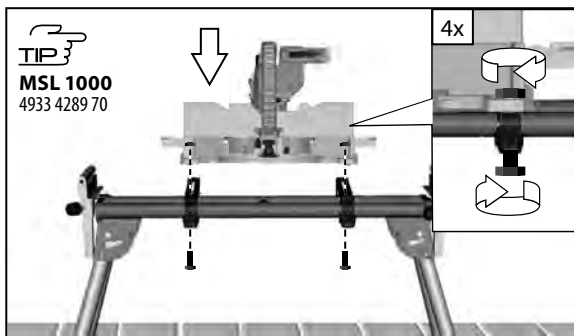


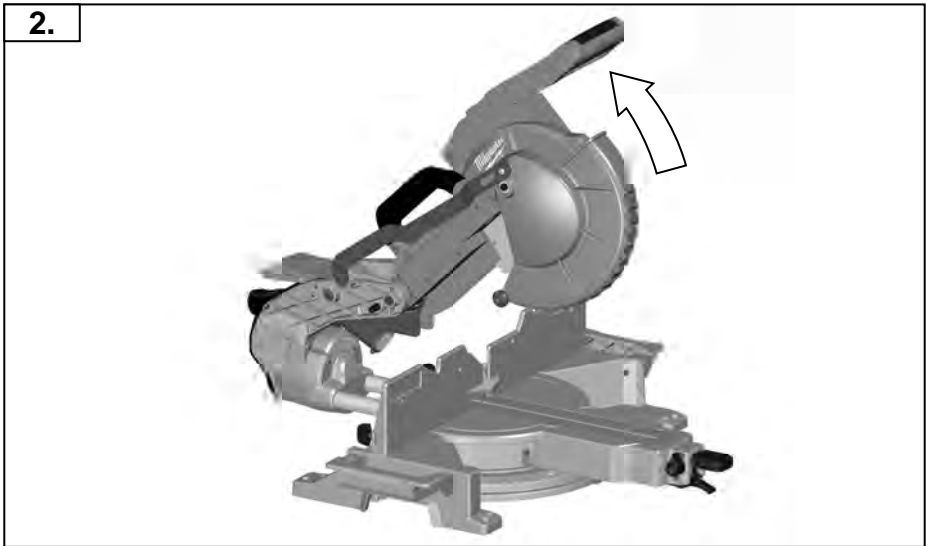
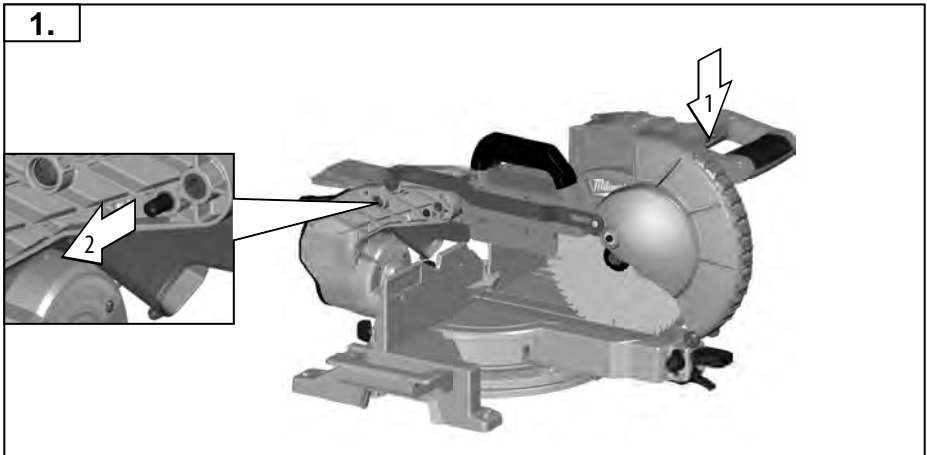




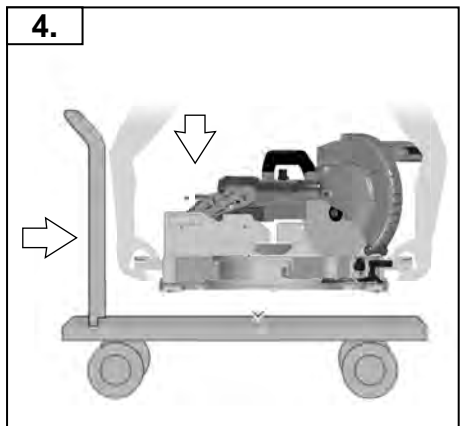
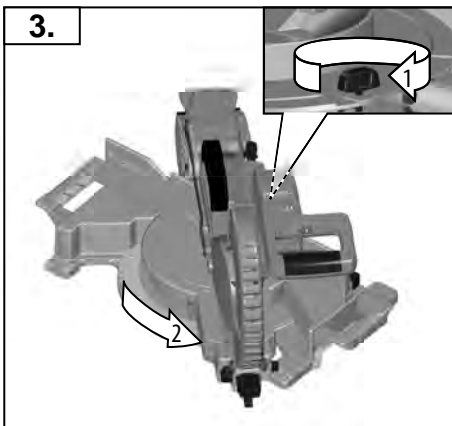
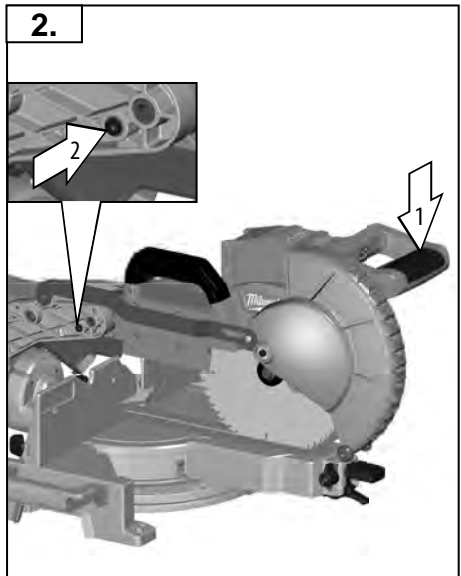
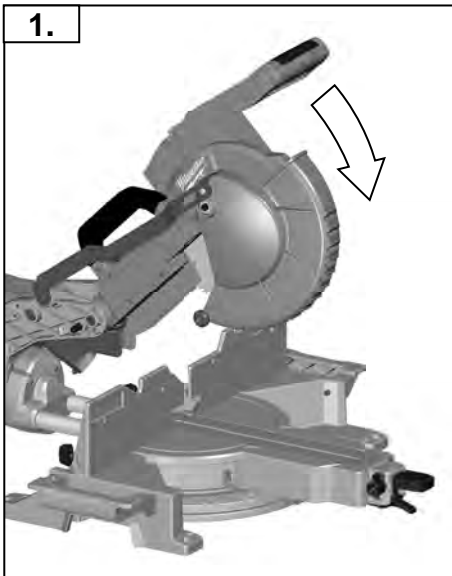


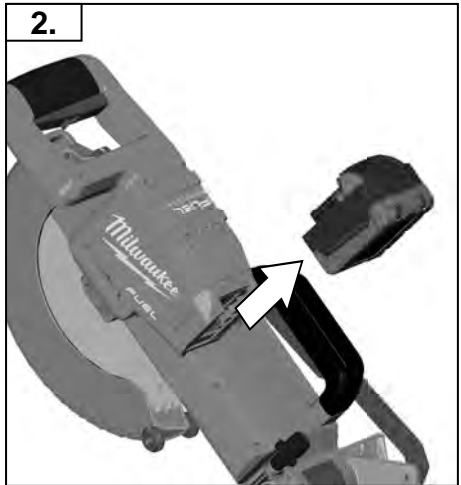
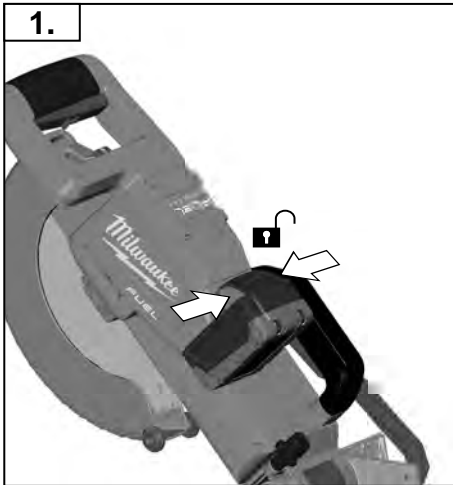
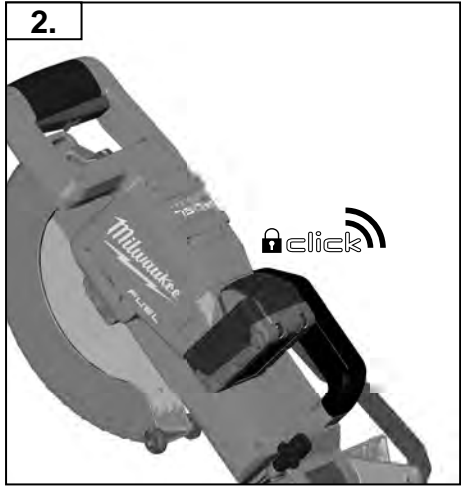
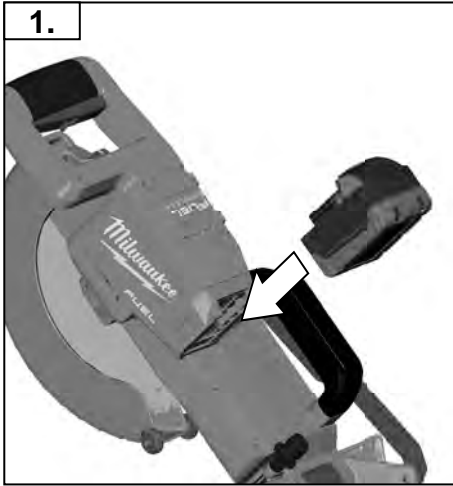
Accessory  
配件  
配件  
액세서리  
อุปกรณ์เสริม  
Aksesori

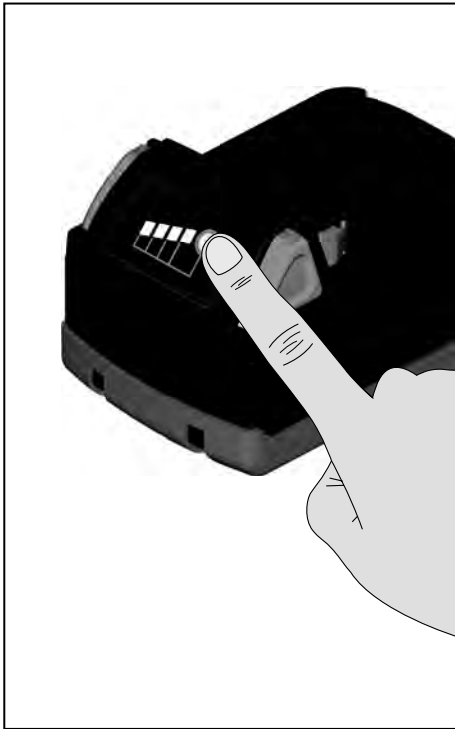




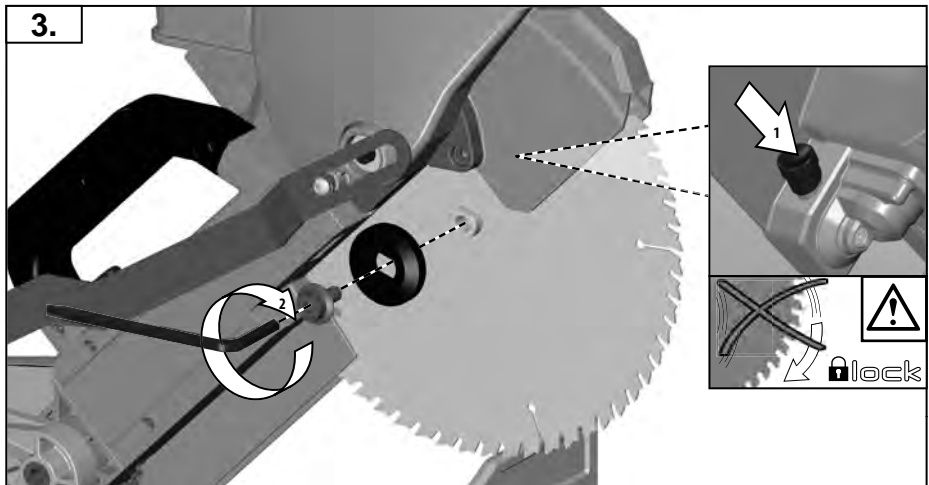
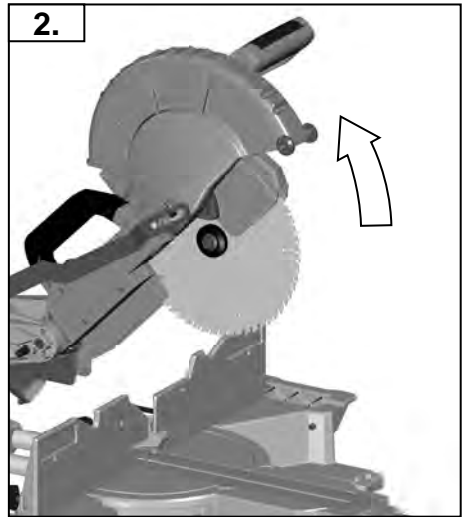
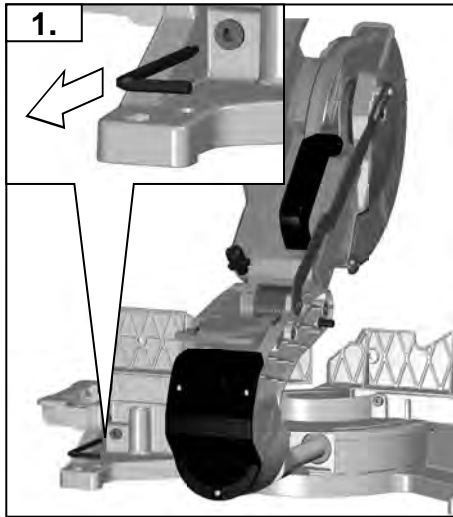
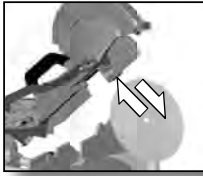


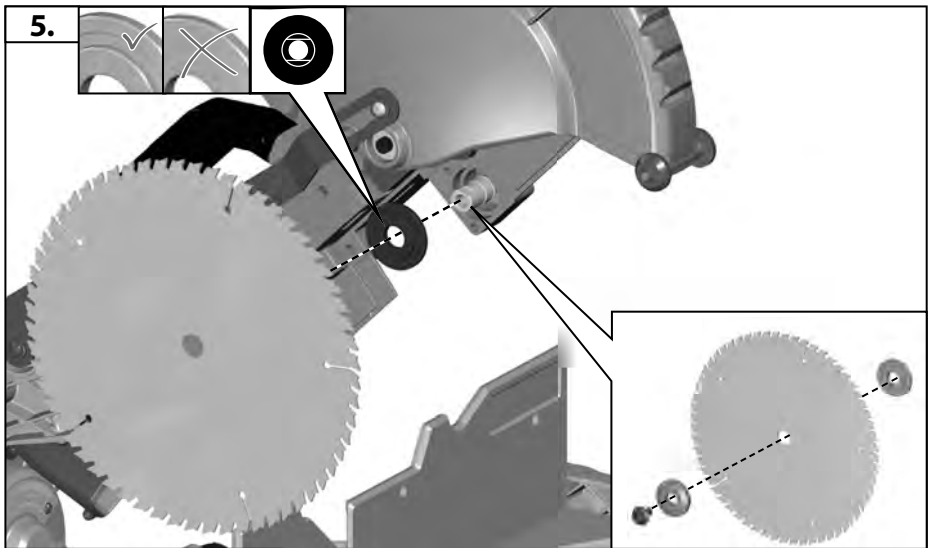
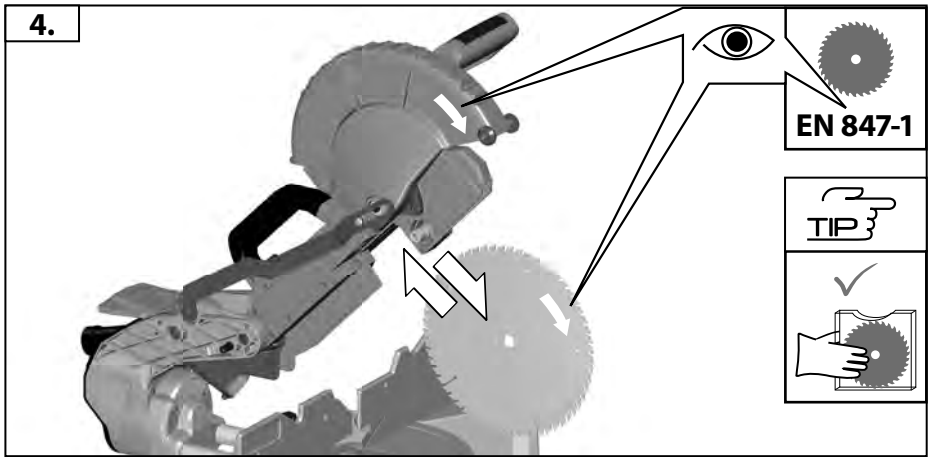
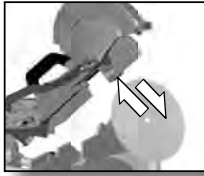


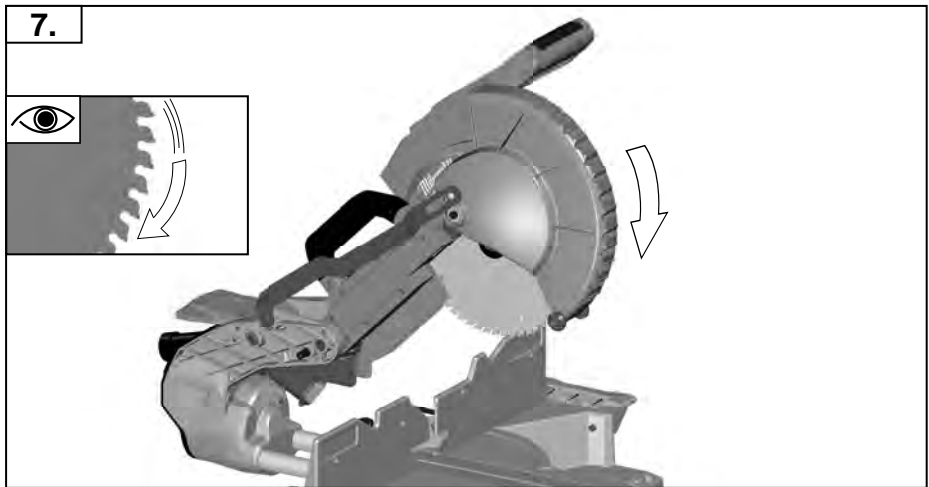
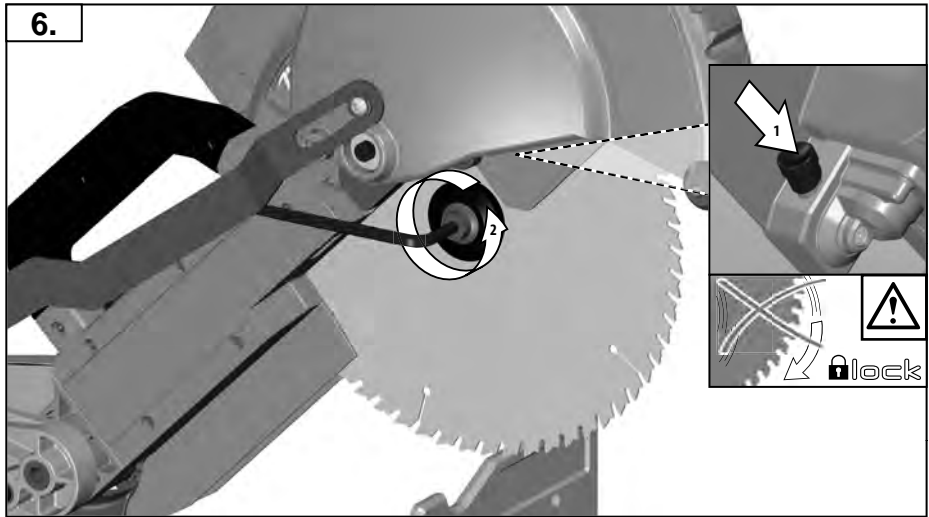
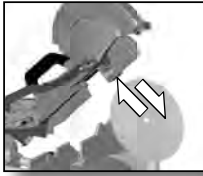


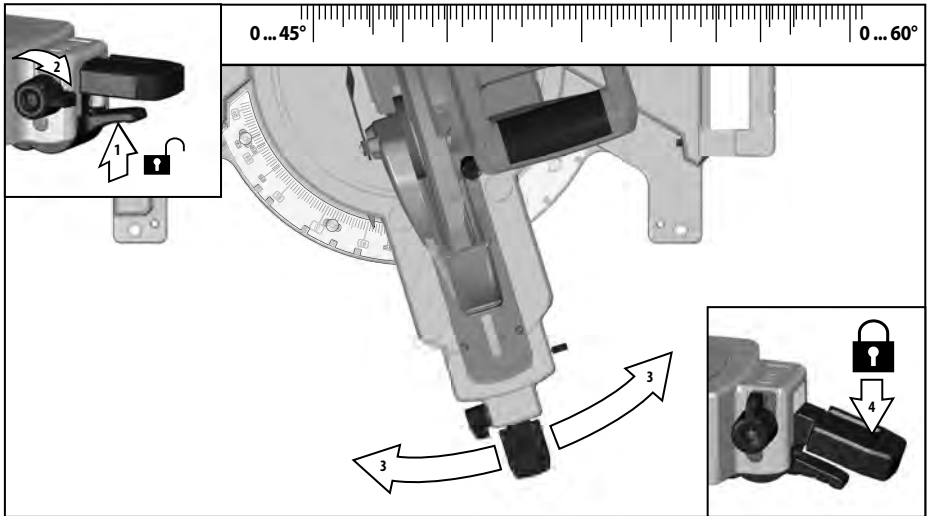
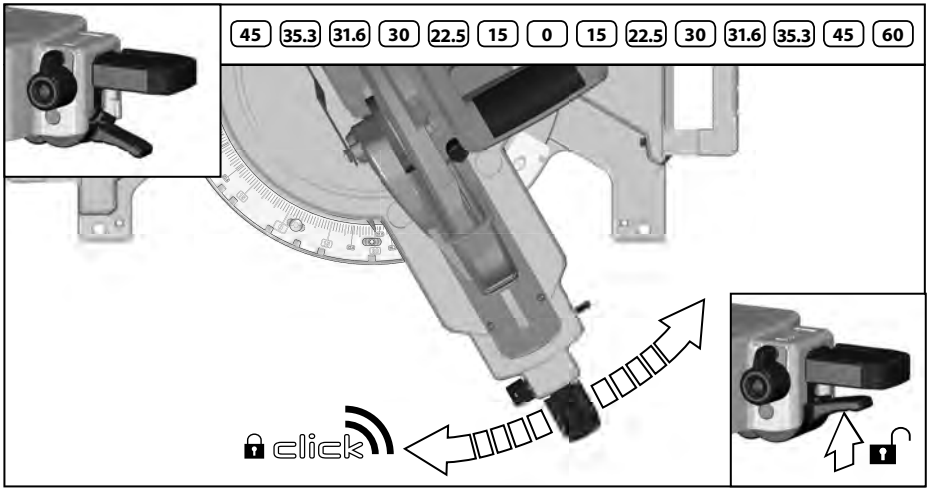


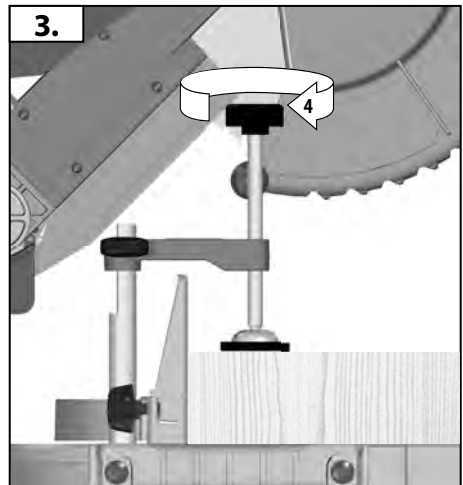
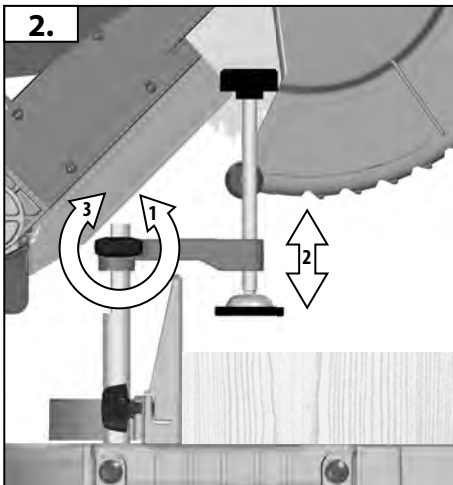
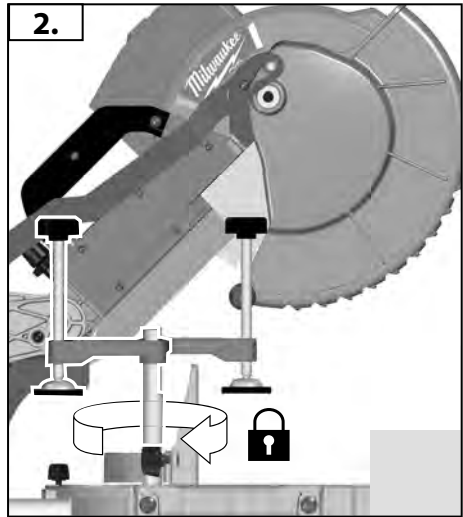
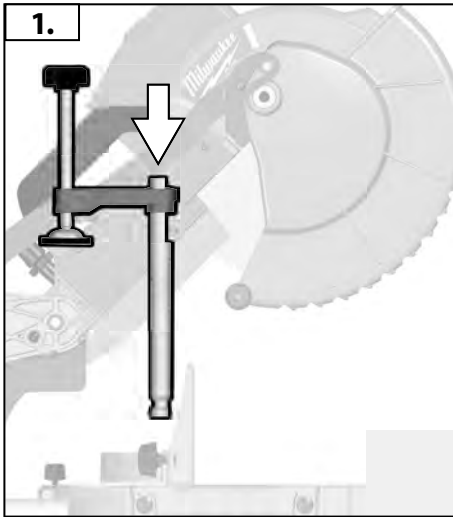
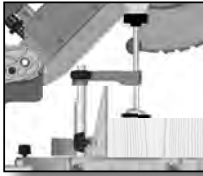
<b>78-100 %</b>			
<b>55-77 %</b>			
<b>33-54 %</b>			
<b>10-32 %</b>			
<b>&lt;10 %</b>			



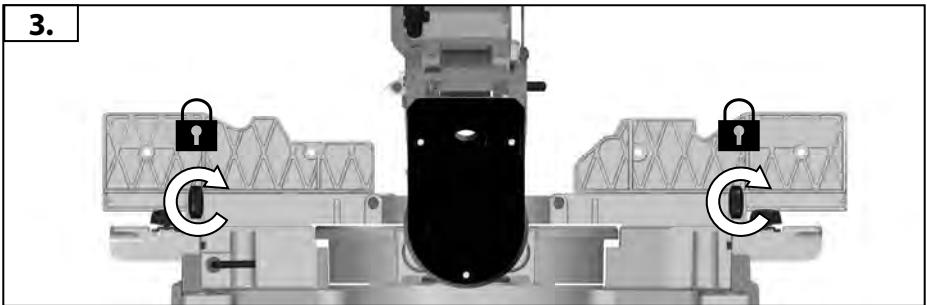
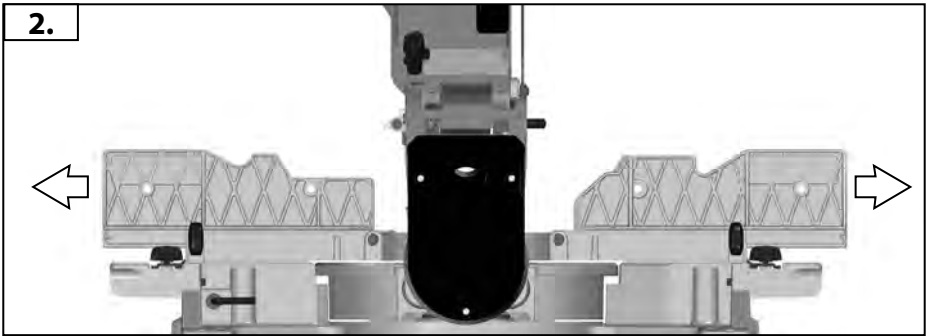
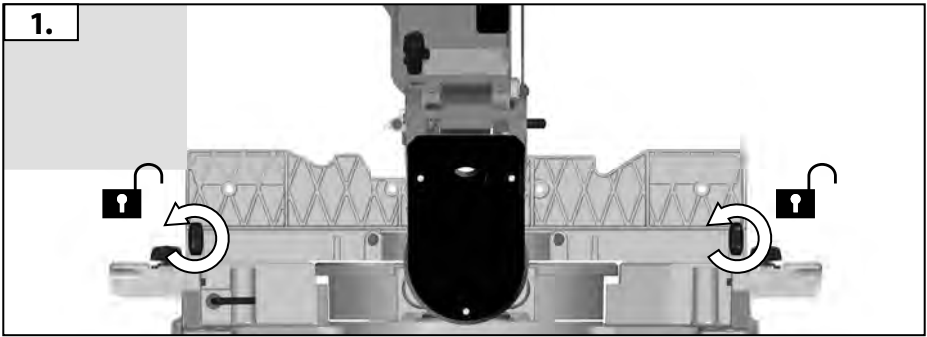






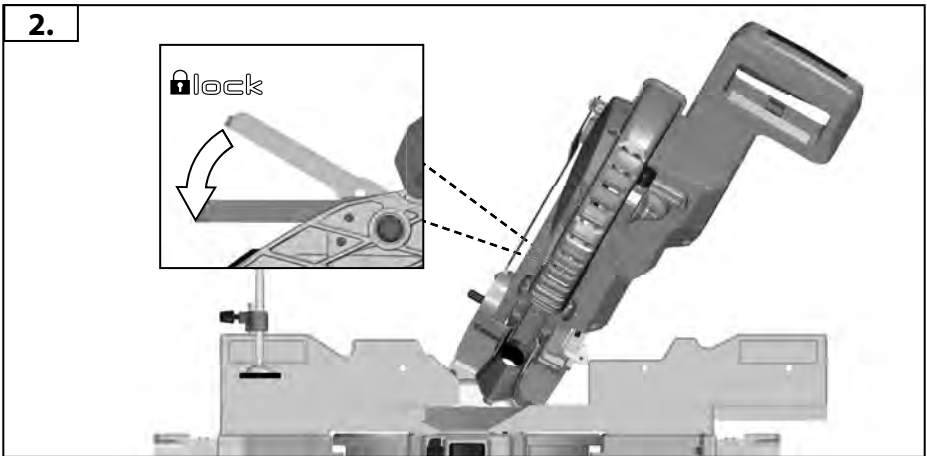
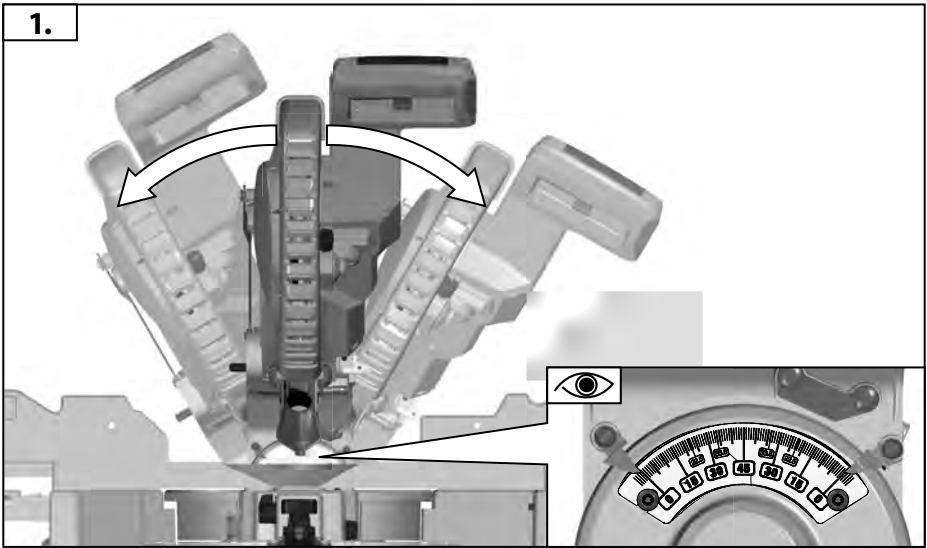


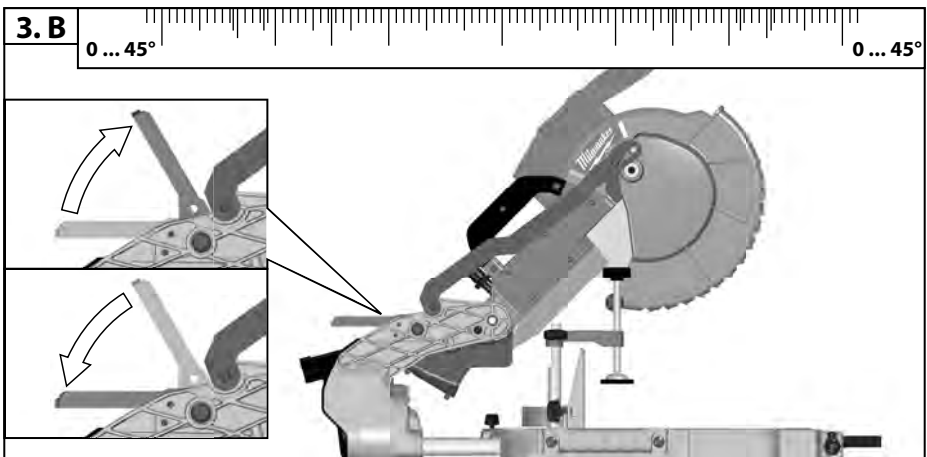
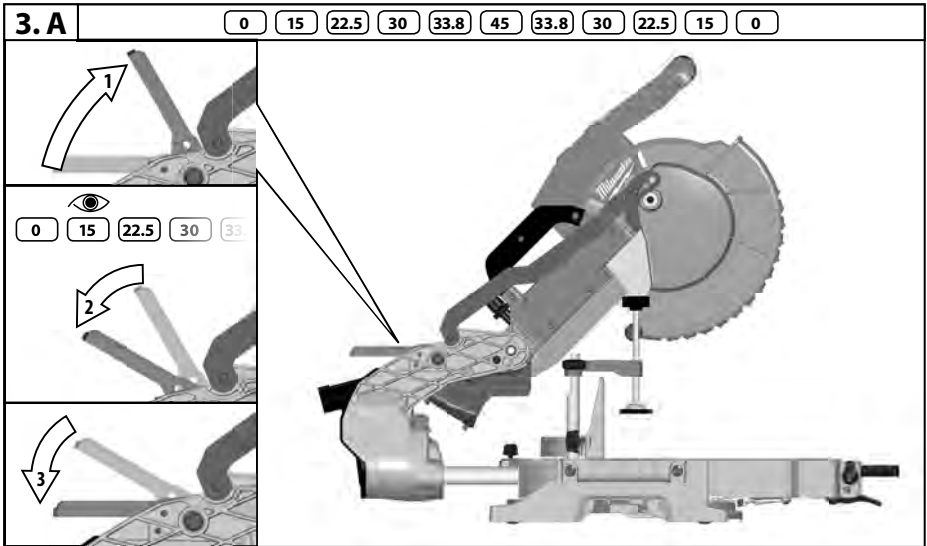
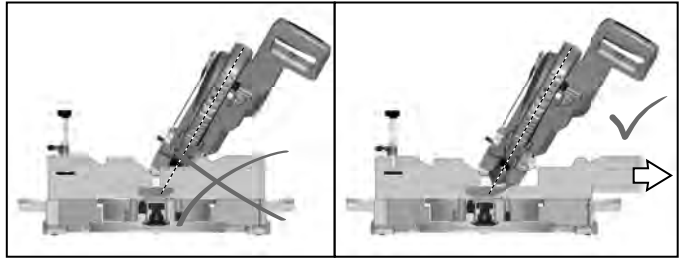


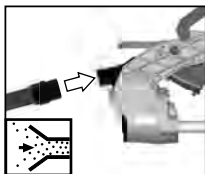






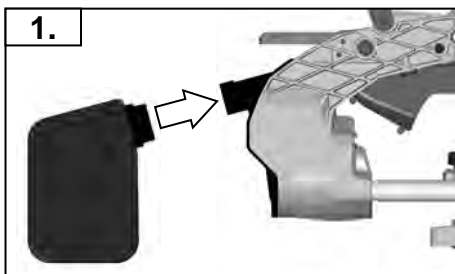
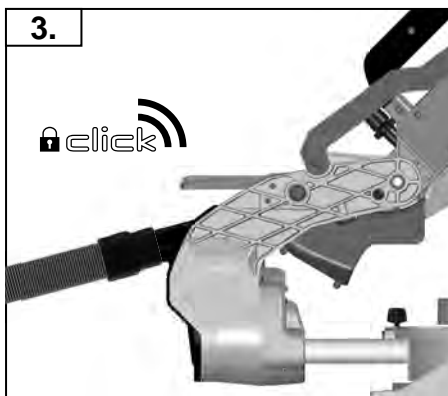
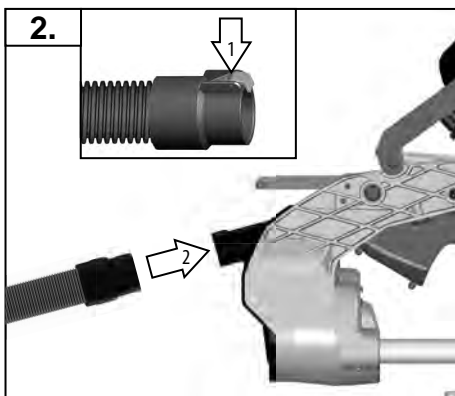
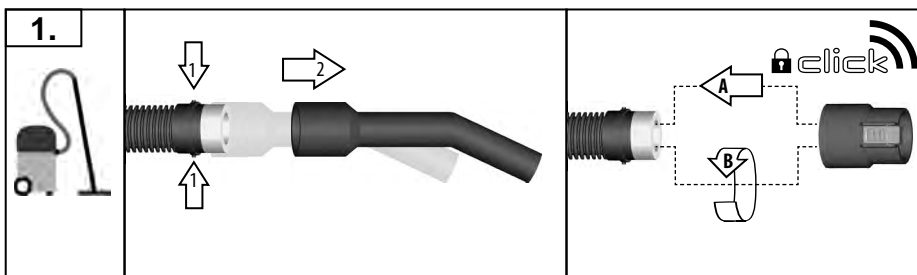
  
**VII**

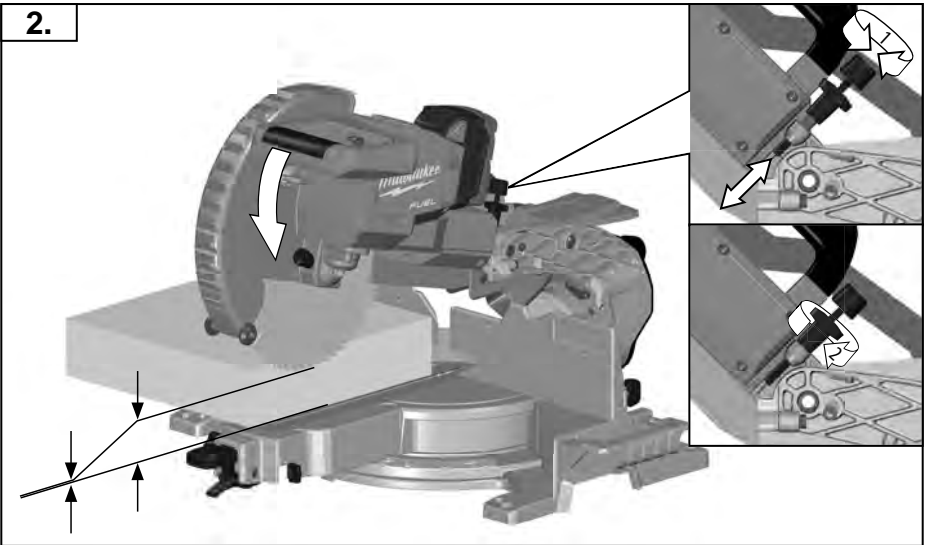
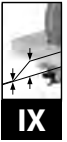
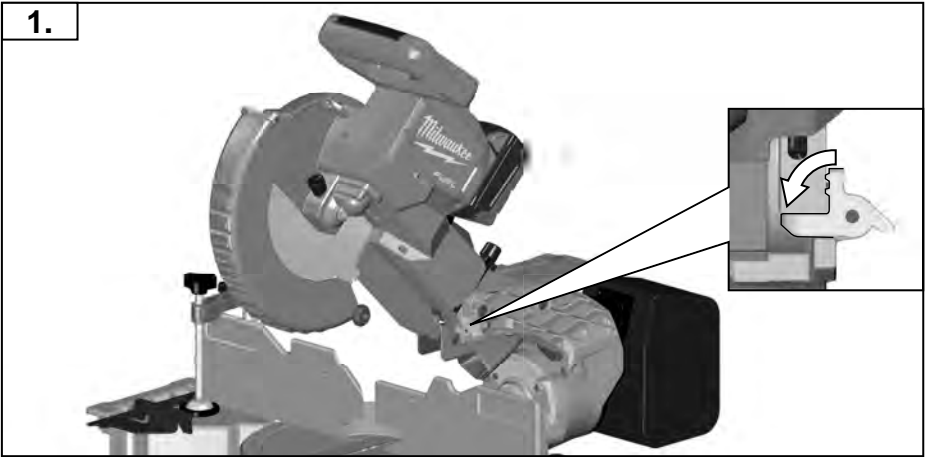
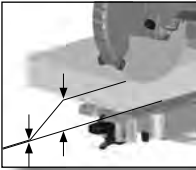






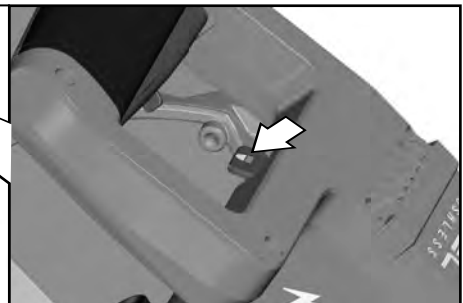
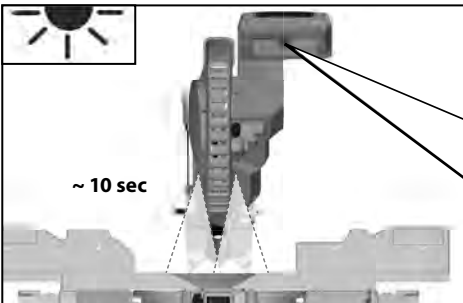
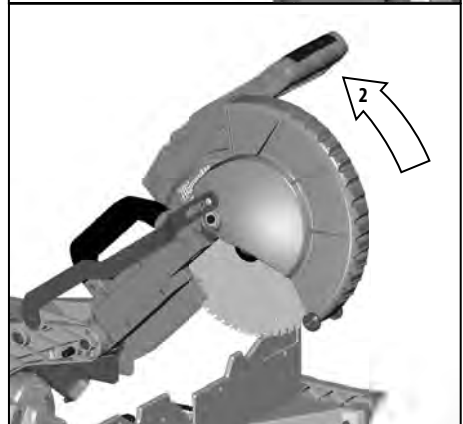
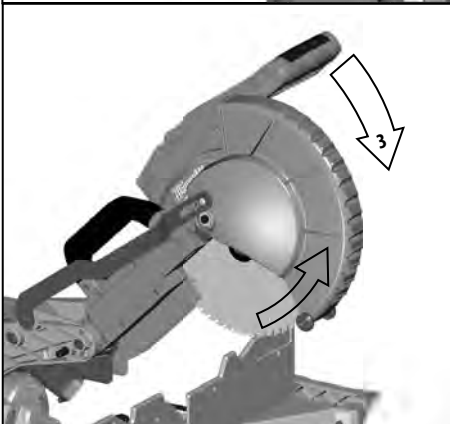
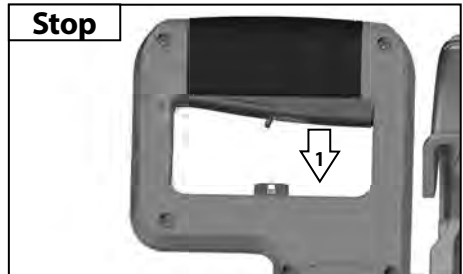
		
A	AS 2-250	4931 4472 95
B	AS 300 / 500	4931 4472 94

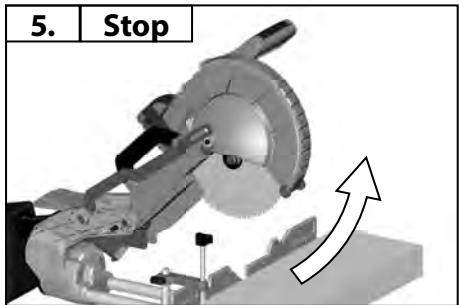
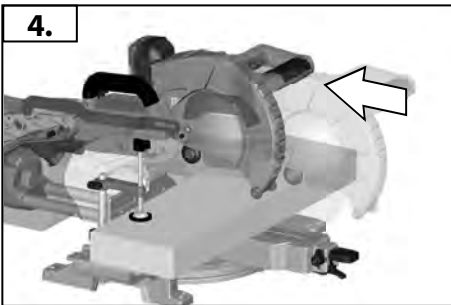
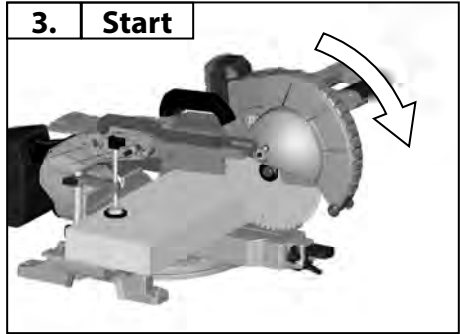
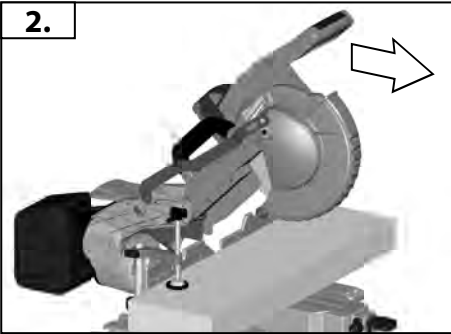
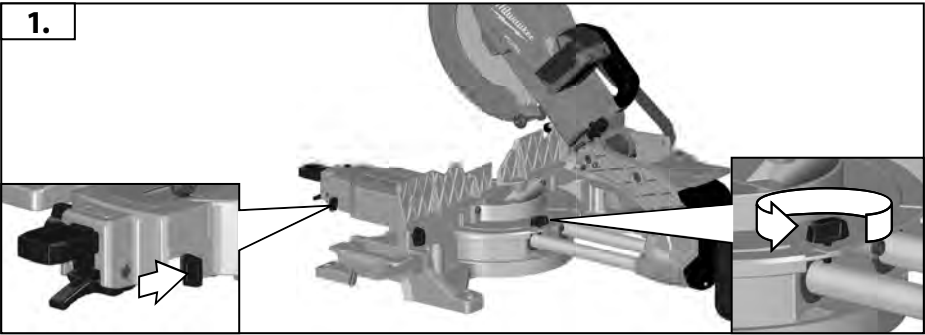
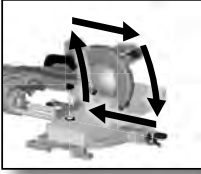


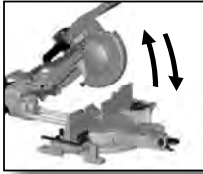




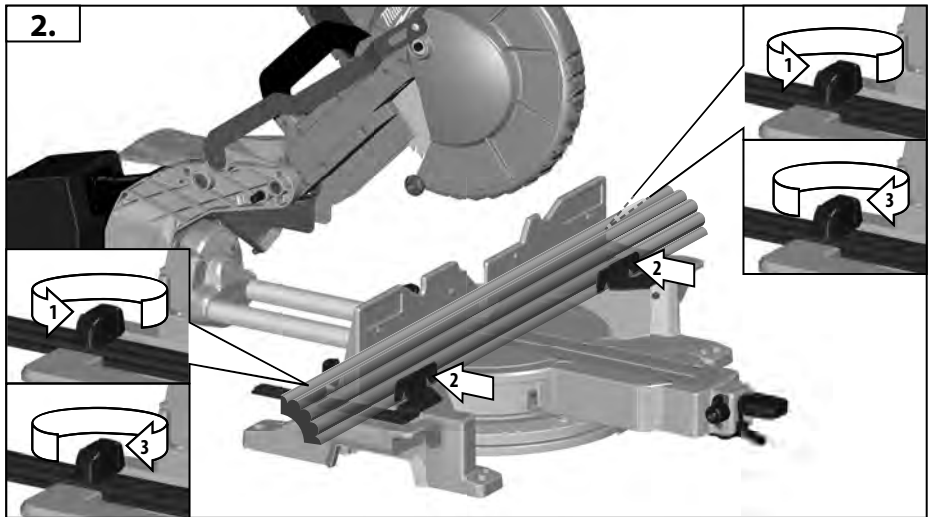
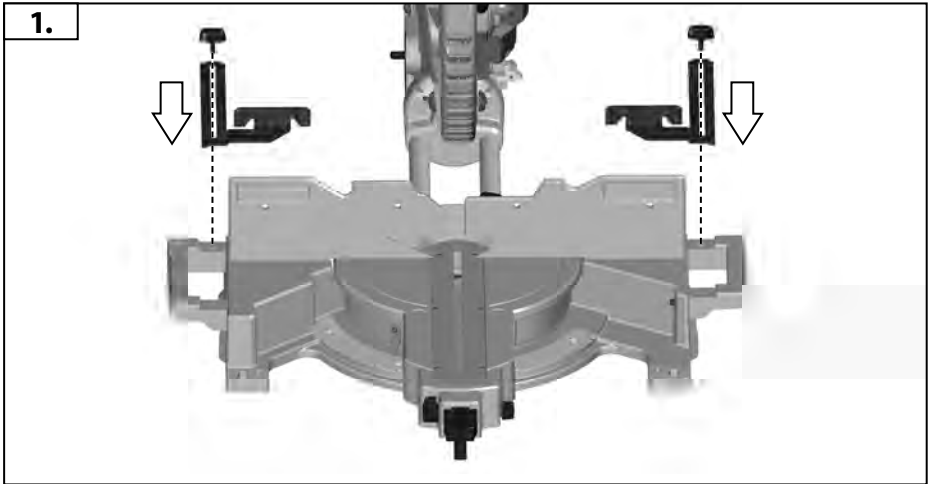
START  
STOP  
X



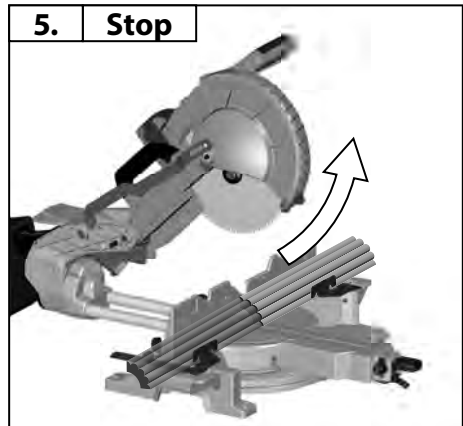
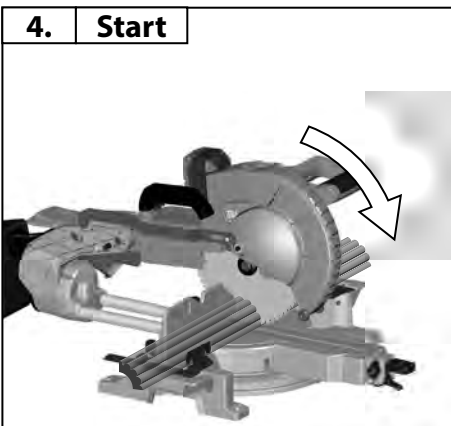
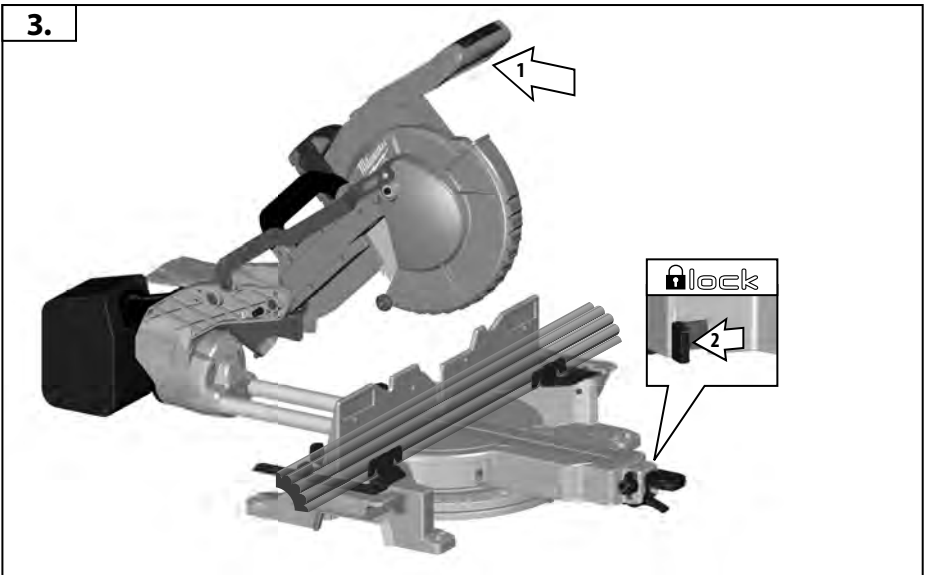
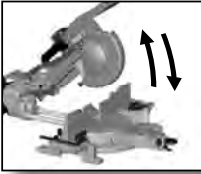


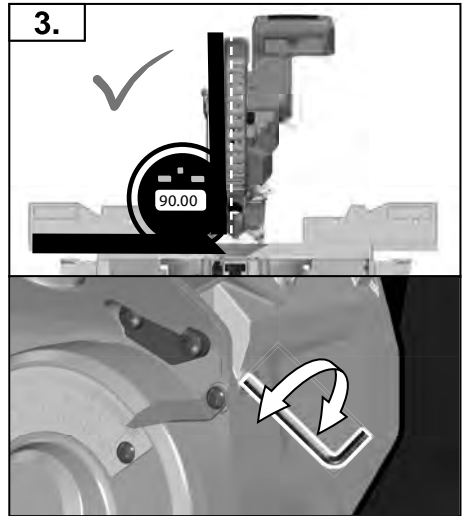
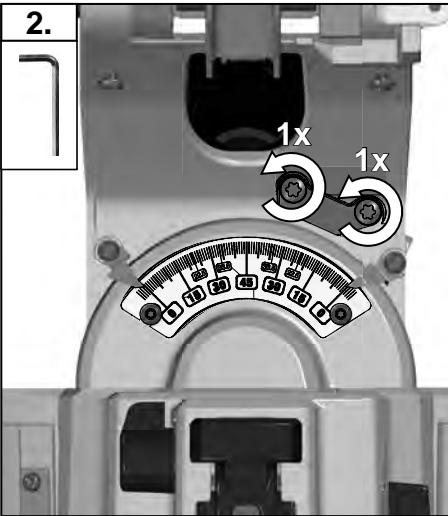
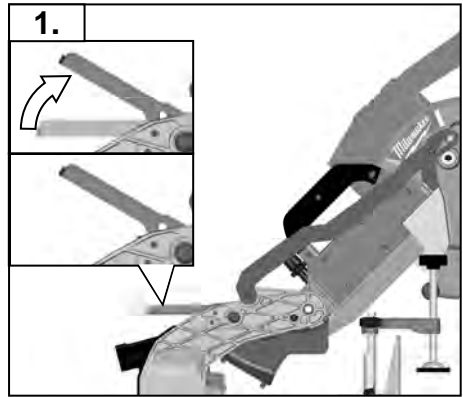
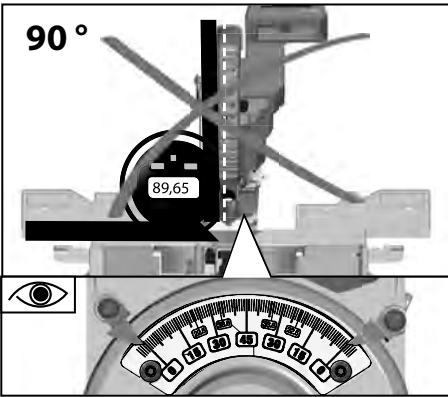
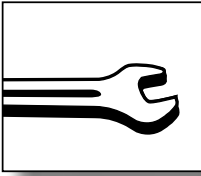


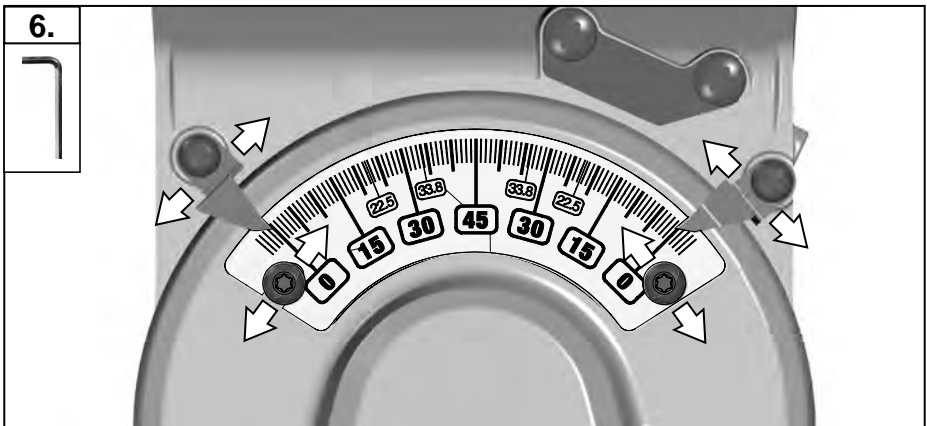
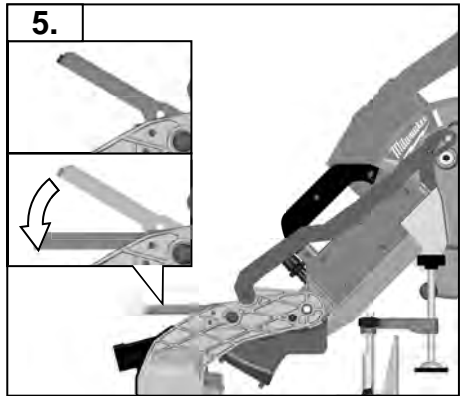
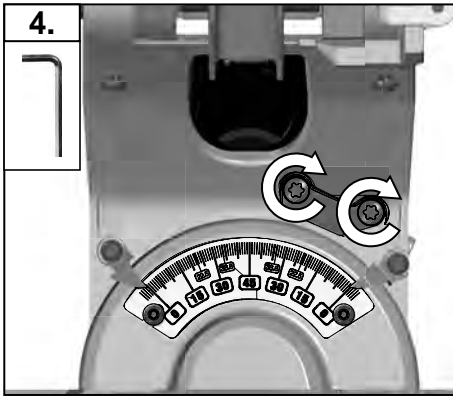
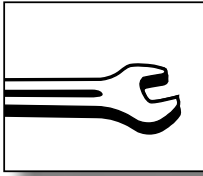
XII

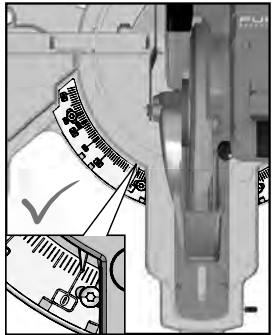
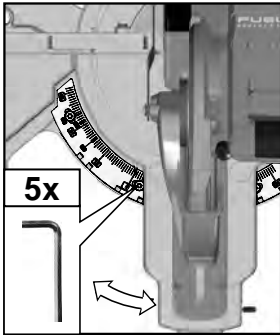
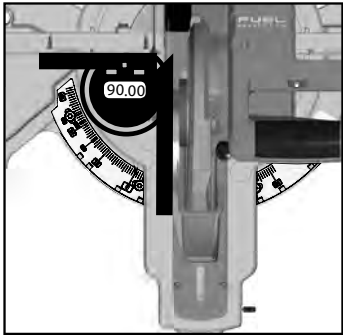
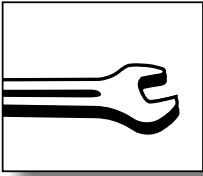


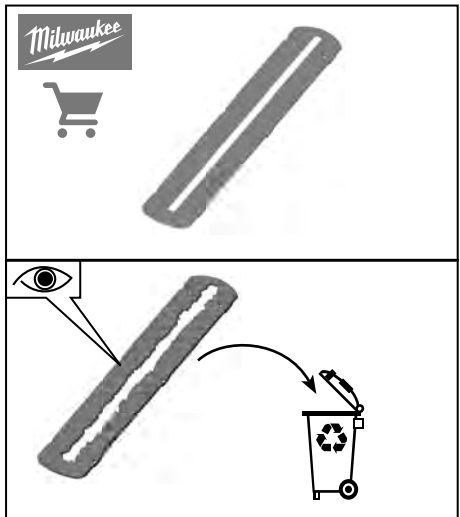
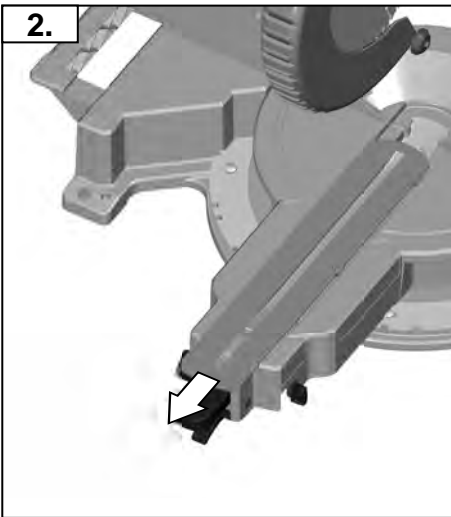
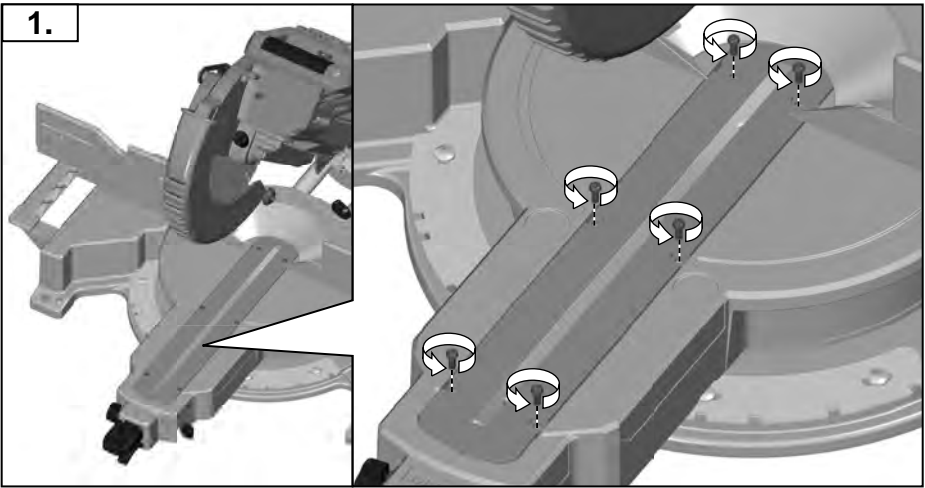
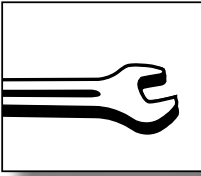












**TECHNICAL DATA**
**M18 FMS254**

No-load speed	4000 min <sup>-1</sup>
Battery voltage	18 V
Saw blade diameter x hole diameter	254 x 30 mm
Saw blade body thickness, maximum	3 mm
Saw blade tooth thickness minimum	2.8 mm
Cutting width, maximum	
Mitre 0°/ Inclination 0°	91 x 289 mm
Mitre 45°/ Inclination 0°	91 x 205 mm
Mitre 0°/ Inclination 45°	51 x 289 mm
Mitre 45°/ Inclination 45°	51 x 205 mm
Weight according EPTA-Procedure 01/2003 (Li-Ion 5.0 Ah)	20.0 kg

**Noise information**

Measured values determined according to EN 62841. Typically, the A-weighted noise levels of the tool are:

Sound pressure level (Uncertainty K=3dB(A))	90.5 dB (A)
Sound power level (Uncertainty K=3dB(A))	101.5 dB (A)

*Wear ear protectors!*



**WARNING! Read all safety warnings and all instructions.** Failure to follow the warnings and instructions may result in electric shock, fire and/or serious injury.

**Save all warnings and instructions for future reference.**

**SAFETY INSTRUCTIONS FOR MITRE SAWS**

- a. Mitre saws are intended to cut wood or wood-like products, they cannot be used with abrasive cut-off wheels for cutting ferrous material such as bars, rods, studs, etc. Abrasive dust causes moving parts such as the lower guard to jam. Sparks from abrasive cutting will burn the lower guard, the kerf insert and other plastic parts.
- b. Use clamps to support the workpiece whenever possible. If supporting the workpiece by hand, you must always keep your hand at least 100 mm from either side of the saw blade. Do not use this saw to cut pieces that are too small to be securely clamped or held by hand. If your hand is placed too close to the saw blade, there is an increased risk of injury from blade contact.
- c. The workpiece must be stationary and clamped or held against both the fence and the table. Do not feed the workpiece into the blade or cut "freehand" in any way. Unrestrained or moving workpieces could be thrown at high speeds, causing injury.
- d. Push the saw through the workpiece. Do not pull the saw through the workpiece. To make a cut, raise the saw head and pull it out over the workpiece without cutting, start the motor, press the saw head down and push the saw through the workpiece. Cutting on the pull stroke is likely to cause the saw blade to climb on top of the workpiece and violently throw the blade assembly towards the operator.
- e. Never cross your hand over the intended line of cutting either in front or behind the saw blade. Supporting the workpiece "cross handed" i.e. holding the workpiece to the right of the saw blade with your left hand or vice versa is very dangerous.
- f. Do not reach behind the fence with either hand closer than 100 mm from either side of the saw blade, to remove wood scraps, or for any other reason while the blade is spinning. The proximity of the spinning saw blade to your hand may not be obvious and you may be seriously injured.
- g. Inspect your workpiece before cutting. If the workpiece is bowed or warped, clamp it with the outside bowed face toward the fence. Always make certain that there is no gap between the workpiece, fence and table along the line of the cut. Bent or warped workpieces can twist or shift and may cause binding on the spinning saw blade while cutting. There should be no nails or foreign objects in the workpiece.
- h. Do not use the saw until the table is clear of all tools, wood scraps, etc., except for the workpiece. Small debris or loose pieces of wood or other objects that contact the revolving blade can be thrown with high speed.
- i. Cut only one workpiece at a time. Stacked multiple workpieces cannot be adequately clamped or braced and may bind on the blade or shift during cutting.
- j. Ensure the mitre saw is mounted or placed on a level, firm work surface before use. A level and firm work surface reduces the risk of the mitre saw becoming unstable.
- k. Plan your work. Every time you change the bevel or mitre angle setting, make sure the adjustable fence is set correctly to support the workpiece and will not interfere with the blade or the guarding system. Without turning the tool "ON" and with no workpiece on the table, move the saw blade through a complete simulated cut to assure there will be no interference or danger of cutting the fence.
- l. Provide adequate support such as table extensions, saw horses, etc. for a workpiece that is wider or longer than the table top. Workpieces longer or wider than the mitre saw table can tip if not securely supported. If the cut-off piece

or workpiece tips, it can lift the lower guard or be thrown by the spinning blade.

- m. Do not use another person as a substitute for a table extension or as additional support. Unstable support for the workpiece can cause the blade to bind or the workpiece to shift during the cutting operation pulling you and the helper into the spinning blade.
- n. The cut-off piece must not be jammed or pressed by any means against the spinning saw blade. If confined, i.e. using length stops, the cut-off piece could get wedged against the blade and thrown violently.
- o. Always use a clamp or a fixture designed to properly support round material such as rods or tubing. Rods have a tendency to roll while being cut, causing the blade to "bite" and pull the work with your hand into the blade.
- p. Let the blade reach full speed before contacting the workpiece. This will reduce the risk of the workpiece being thrown.
- q. If the workpiece or blade becomes jammed, turn the mitre saw off. Wait for all moving parts to stop and disconnect the plug from the power source and/or remove the battery pack. Then work to free the jammed material. Continued sawing with a jammed workpiece could cause loss of control or damage to the mitre saw.
- r. After finishing the cut, release the switch, hold the saw head down and wait for the blade to stop before removing the cut-off piece. Reaching with your hand near the coasting blade is dangerous.
- s. Hold the handle firmly when making an incomplete cut or when releasing the switch before the saw head is completely in the down position. The braking action of the saw may cause the saw head to be suddenly pulled downward, causing a risk of injury.

#### **Additional safety and working instructions**

Wear ear protectors. Exposure to noise can cause hearing loss.

Always wear goggles when using the machine. It is recommended to wear gloves, sturdy non slipping shoes and apron.

The dust produced when using this tool may be harmful to health. Do not inhale the dust. Use a dust absorption system and wear a suitable dust protection mask. Remove deposited dust thoroughly, e.g., with a vacuum cleaner.

Connect the saw to a dust-collecting device when sawing wood.

Wear gloves!

Before using the tool please read the instructions. If possible have the tool demonstrated.

Ensure that the machine is always stable and secure (e.g., fixed to a bench)

Keep the floor area free of loose material e.g. chips and cut-offs.

Do not use saw blades which are damaged or deformed

Do not use saw blades not corresponding to the key data given in these instructions for use.

Only use tools that meet standard EN 847-1.

Do not use saw blades made of high-speed steel.

It is necessary to select a saw blade which is suitable for the material being cut.

The rated speed of the accessory must be at least equal to the maximum speed marked on the power tool. Accessories running faster than their rated speed can break and fly apart. Transport and store the tools in a suitable receptacle;

Do not use any flanges other than those supplied or indicated in the

instruction manual to secure the saw blade.

Never use the mitre saw to cut materials other than those specified in the instruction manual.

Only use the saw with guards in good working order and properly maintained, and in position.

Refrain from removing any cut-offs or other parts of the workpiece from the cutting area whilst the machine is running and the saw head is not in the rest position.

Never reach into the danger area of the machine when it is running.

Always use the protective shields on the machine.

Any faults with the machine, including any related to the safeguard or the saw blades, must be reported to the persons in charge of safety as soon as the faults are discovered.

Do not clamp the protective swing guard.

Long workpieces must be adequately supported.

The handle lock must always be engaged when transporting the mitre saw.

When performing mitre, bevel or compound mitre cuts, adjust the sliding fence to ensure the correct clearance from the blade.

Adapt the feed speed to avoid overheating the blade tips and to avoid melting plastic materials during cutting.

#### **SPECIFIED CONDITIONS OF USE**

The mitre saw can be used for sawing solid wood, bonded wood, glued veneer, materials similar to wood, and plastics.

Stock having a round or irregular cross section (such as firewood) must not be cut, as it can not be securely held during cutting. When sawing thin stock layed on edge, a suitable auxiliary fence must be used for firm support.

#### **RESIDUAL RISK**

Even when the product is used as prescribed, it is still impossible to completely eliminate certain residual risk factors. The following hazards may arise in use and the operator should pay special attention to avoid the following:

- Impairment of hearing, restrict exposure and wear appropriate hearing protection.
- Measures that can be taken by operator to possibly reduce the effects of vibration and limit the amount of exposure.
- Health hazards caused by breathing dust developed when sawing wood, wear a mask if necessary.

#### **BATTERIES**

Battery packs which have not been used for some time should be recharged before use.

Temperatures in excess of 50°C (122°F) reduce the performance of the battery pack. Avoid extended exposure to heat or sunshine (risk of overheating).

The contacts of chargers and battery packs must be kept clean.

For an optimum life-time, the battery packs have to be fully charged, after use.

To obtain the longest possible battery life remove the battery pack from the charger once it is fully charged.

For battery pack storage longer than 30 days:

Store the battery pack where the temperature is below 27°C and away from moisture

Store the battery packs in a 30% - 50% charged condition

Every six months of storage, charge the pack as normal.

## TRANSPORTING LITHIUM BATTERIES

Lithium-ion batteries are subject to the Dangerous Goods Legislation requirements.

Transportation of those batteries has to be done in accordance with local, national and international provisions and regulations.

The user can transport the batteries by road without further requirements.

Commercial transport of Lithium-Ion batteries by third parties is subject to Dangerous Goods regulations. Transport preparation and transport are exclusively to be carried out by appropriately trained persons and the process has to be accompanied by corresponding experts.

When transporting batteries:

Ensure that battery contact terminals are protected and insulated to prevent short circuit. Ensure that battery pack is secured against movement within packaging. Do not transport batteries that are cracked or leak. Check with forwarding company for further advice.

## BATTERY PACK PROTECTION

In extremely high torque, binding, stalling and short circuit situations that cause high current draw, the tool will vibrate for about 5 seconds, the fuel gauge will flash, and then the tool will turn OFF.

To reset, release the trigger.

Under extreme circumstances, the internal temperature of the battery pack could raise too much. If this happens, the fuel gauge will flash until the battery pack cooled down. After the lights go off, the work may continue.

Place the battery on the charger to charge and reset it.

## MAINTENANCE

Remove the battery pack before starting any work on the appliance.

Be sure to disconnect the tool from the power supply before attaching or removing the saw blade.

Replace the table insert when worn

Clean tool and guarding system with dry cloth.

The ventilation slots of the machine must be kept clear at all times.

Use only Milwaukee accessories and Milwaukee spare parts. Should components need to be replaced which have not been described, please contact one of our Milwaukee service agents.

If needed, an exploded view of the tool can be ordered. Please state the serial no. as well as the machine type printed on the label and order the drawing at your local service agents.

## SYMBOLS



CAUTION! WARNING! DANGER!



Remove the battery pack before starting any work on the product.



Please read the instructions carefully before starting the product.



Always wear goggles when using the product.



Wear ear protectors!



Wear gloves!



Danger area! Keep hands, fingers or arms away from this area.



Never expose tool to rain.



CAUTION! Do not stare at operating lamp.



Do not dispose of electric tools together with household waste material. Electric tools and electronic equipment that have reached the end of their life must be collected separately and returned to an environmentally compatible recycling facility. Check with your local authority or retailer for recycling advice and collection point.



無負載轉速	4000 min <sup>-1</sup>
電池電壓	18 V
鋸片直徑x孔徑	254 x 30 mm
最大的鋸片厚度	3 mm
最小的鋸片齒厚	2.8 mm
最大的鋸切寬度	
斜角 0° / 傾斜度 0°	91 x 289 mm
斜角 45° / 傾斜度 0°	91 x 205 mm
斜角 0° / 傾斜度 45°	51 x 289 mm
斜角 45° / 傾斜度 45°	51 x 205 mm
根據EPTA-Procedure 01/2003的重量 (Li-Ion 5.0 Ah)	20.0 kg

#### 噪音資訊

依 EN 62841 所測的測量值。一般來說，本工具的A加權噪音標準為：

聲壓量測 (K = 3 dB(A))	90.5 dB (A)
聲壓率級 (K = 3 dB(A))	101.5 dB (A)
佩戴耳罩。	



**警告！** 閱讀所有安全警告和說明。若不按照警告和說明操作，則可能會導致電擊、火災和/或嚴重傷害。

將所有警告和說明保存好，方便以後查閱。

#### 斜切鋸安全須知

- 斜切鋸可用來切割木材或類似材料，不得安裝砂輪片用於切割鐵質材料，如鋼筋、鋼杆、螺栓等。磨屑可致活動部件堵塞，比如下端防護罩。砂輪切割產生的火花可灼傷下端防護罩、切口嵌入件和其他塑膠部件。
- 儘量使用夾具固定工件。用手固定工件時，必須時刻保持手部距離鋸片兩側至少有100毫米。請勿使用產品切割無法安全夾緊或用手固定的小工件。如手部與鋸片的距離過近，則加大了意外觸及刀片的可能性。
- 工件須平穩放置，並夾緊固定或緊靠靠欄和工作臺。請勿將工件送入鋸片或以任何方式「徒手」切割。未經固定或移動的工件可能會被高速拋出，導致人員受傷。
- 請將鋸子推往工件方向。請勿將鋸子拉向工件。切割時，抬起鋸頭並將其從工件上方拉出，此時不要切割，啟動電機，下壓鋸頭，然後將鋸子推過工件。在拉動行程上切割可能會導致鋸片爬上工件頂部，繼而導致刀片組件猛拋向操作人員。
- 切勿將手伸到鋸片前方或後方的預定切割槽。「交叉」手扶工件，即用左手握著工，移向鋸片的右側，是十分危險的，反之亦然。
- 在鋸片旋轉時，不得因清除木屑或其他任何原因，將手伸到靠欄後方距離鋸片任何一側不超過100毫米的位置。因為旋轉鋸片與手部的距離可能並不明顯，您可能會嚴重受傷。
- 切割前請檢查工件。如工件有彎曲或翹曲，則應將其外彎曲面朝向靠欄夾緊。始終確保工件、靠欄和工作臺之間沿切割槽無間隙。有彎曲或翹曲的工件可能會發生扭曲或位移，並有可能導致在切割時卡到旋轉鋸片上。工件上不得有釘子或其他異物。
- 使用鋸子前，請確認工作臺上無工件以外的其他工具、木屑等。小碎片或零星木塊或其他物體在與旋轉鋸片接觸

後，可能會被高速拋出。

- 一次僅切割一個工件。多個工件疊放在一起將無法適當的被夾緊或固定，並有可能在切割時卡到鋸片上或發生位移。
- 使用前，請確保斜切鋸被安裝或放置在水準、堅固的工作臺面上。水平而堅固的工作臺面可降低斜切鋸趨於不穩定的風險。
- 請對工作進行計劃。每次更改斜角或傾斜角度設置時，請確保可調節靠欄設置正確，可支撐工件，並且不會妨礙鋸片或防護系統。在未打開工具電源及工作臺無工件的情況下，移動鋸片進行完整的模擬切割，以確保不會妨礙靠欄或沒有切到靠欄的危險。
- 工件比工作臺面更寬或更長時，可採用適當支撐如加長工作臺、鋸木架等。工件比斜切鋸工作臺更寬或更長時，如未經牢固支撐，可能會發生側翻。如切割部件或工件發生側翻，則可能會提起下端防護罩或被旋轉鋸片拋出。
- 不得使用其他人代替加長工作臺或作為額外支撐。工件支撐不牢時，可導致切割操作中鋸片被卡牢或工件發生位移，並將操作人員及助手拉向旋轉鋸片。
- 切割下來的工件不得以任何方式卡在或壓在旋轉的鋸片上。如果被限制，如使用長度止擋，切割下來的工件可能會楔住鋸片並迅速地向外拋出。
- 使用工裝夾具或固定件適當固定圓形材料，如鋼筋或管材等。鋼筋在切割時易發生滾動，導致鋸片「咬住」，並將工件和您的手一起拉向鋸片。
- 使鋸片在接觸工件前達到全速。這樣會減少工件被外拋的風險。
- 如工件或鋸片被卡住，可關閉斜切鋸的電源。待所有活動部件停止轉動，拔掉插頭斷開電源和/或拆下電池組。然後取下被卡住的材料。在工件被卡的情況下繼續切割，可能會導致斜切鋸失去控制或受到損壞。
- 完成切割後，鬆開開關，保持鋸頭向下，待鋸片停止轉動後再取出切割下來的工件。把手伸向緩速轉動的鋸片是十分危險的。
- 在進行不完全切割或在鋸頭完全處於向下位置之前鬆開開關時，請牢握手柄。制動動作可能會導致鋸頭被突然下

拉，出現受傷的危險。

#### 其他安全和工作說明

佩戴耳罩。暴露在噪聲中可能會導致聽力受損。

使用本產品時務必佩戴護目鏡。建議使用時穿戴手套、堅固的防滑鞋和圍裙。

使用此工具時產生的粉塵可能會影響健康。切勿吸入粉塵。使用吸塵系統，並要戴上合適的防護口罩。徹底清除沉積的灰塵（如吸塵機）。

切割木材時應在鋸子上連接除塵裝置。

佩戴手套。

請在使用工具前閱讀說明。如可能，請進行工具的演示操作。請確保機器始終處於穩定和牢固的狀態下（比如，固定到工作臺上）。

請確保地面上無鬆散材料，如木屑和切割碎塊等。

請勿使用受損或變形的鋸片。

請勿使用與說明書中所列參數不符的鋸片。

僅使用符合EN847-1標準的工具。

請勿使用高速鋼材質的鋸片。

應選擇與被切割材料相匹配的鋸片。

配件的無負載轉速不得超出電動工具標示的最高速度。超過其空載轉速的配件有損壞與脫離的可能。

使用適當容器運輸和儲存工具。

請勿使用與本手冊所述不符的其他法蘭來固定鋸片。

切勿使用斜切鋸切割非說明書中所指定的材料。

斜切鋸只能在配備防護罩的情況下才能使用，防護罩須完好無損、經過適當維護且安裝到位。

在機械運行且鋸頭未處於靜止位置時，應避免從切割區域取出工件的切割部分或其他部件。

請跟運轉中的機器保持安全距離。

務必使用機器的安全保護設備。

機器的任何故障，包括與防護罩或鋸片有關的任何故障，一經發現，必須立即報告給安全負責人。

請勿夾住擺動式防護罩。

較長工件必須提供適當支撐。

斜切鋸運輸過程中，必須始終接合手柄鎖。

進行斜切、斜角或複合斜切時，應調整滑動靠欄以確保鋸片之間保持適當間隙。

切割過程中，應調整進給速度以避免鋸片尖端過熱和避免熔化塑膠材料。

#### 特定使用條件

斜切鋸可用於鋸切實木、粘合木材、膠合板、仿木材料和塑膠。

不得切割具有圓形或不規則截面的坯料（如木柴），因為在切割過程中無法牢固固定。在鋸切位於邊緣的薄坯料時，必須使用適當的輔助靠欄來進行牢固支撐。

#### 殘餘風險

即便已按規定使用產品，仍然不可能完全消除某些殘留的風險因素。使用時可能會出現以下危險，操作人員應特別注意以下事項：

- 損傷聽力，限制接觸和佩戴適當的聽力保護設備。
- 操作人員可以採取的能減少振動影響、可限制暴露量的措施。
- 因吸入鋸木粉塵所導致的健康危害，必要時可戴面罩。

#### 電池

久未使用的電池必須重新充電後再使用。

超過 50°C (122°F) 的高溫會降低電池的效能。避免暴露於高溫或陽光下（可能導致過熱）。

充電器和電池組的接點處應保持清潔。

為確保最佳電池使用壽命，電池組使用後，應再完全充電。

為確保電池的最長壽命，充電完成後，勿將電池繼續留在充電器上。

電池存放超過30天：

將電池組存放於溫度低於27°C的環境，且避免受潮。

將電池組保持在充電量30%-50%的狀態。

存放中的電池組應每六個月照常充電一次。

#### 運輸鋰電池

鋰離子電池須受制於危險品法例的要求。

運送鋰電池必須在符合當地、國家及國際標準及法例的情況下進行。

使用者可於陸地上運送電池而毋須受限。

第三方負責的商業式鋰電池運送須受制於危險品法例。運送的預備及過程必須由受嚴格訓練的人士進行，亦必須得到專家在場監管。

運送電池時：

請確保電池接觸端受到嚴密保護及經過絕緣，防止短路。請確保電池組妥善包裝，防止碰撞磨刷。切勿運送有裂痕或洩漏中的電池。與運遞公司緊密聯繫以獲得進一步資訊。

#### 電池保護

在極高的扭矩、結合、停滯和引起高電流消耗短路的情況下，工具將震動約5秒，電池燈會閃爍，然後工具將關閉。

如要重置，鬆開扳機。

在極端情況下，電池組內部的溫度可能過度提升。如果發生這種情況，電池燈會閃爍，直至電池冷卻下來。燈熄滅後，可以繼續工作。

將電池放在充電器上，以充電和重置。

#### 維護

在機器上做任何調整前，請先取出電池組。

在安裝和拆卸鋸片前，務必斷開工具的電源。

工作臺嵌入件在有磨損時，應進行更換。

使用幹布清潔工具和防護系統。

本產品的通風孔必須時刻保持暢通。

建議使用Milwaukee的配件和零件。缺少檢修說明的機件如果損壞了，必須交給Milwaukee的顧客服務中心更換。

如果需要機器的分解圖，可以向您的顧客服務中心查詢。索件時，請您當地的向顧客服務中心提供以下資料：機器銘牌上的產品號碼及機型。

#### 符號



注意！警告！危險！



在機器上做任何調整前，請先取出電池。



啟動產品前，請仔細閱讀本說明。



使用本產品時務必佩戴護目鏡。



佩戴耳罩。



佩戴手套。



危險區域！請將手、手指或手臂遠離該區域。



切勿使機器曝露在雨水中。



注意！請勿緊訂運作中工作燈。



不要將電動工具與家庭垃圾材料一起處置。  
當電動工具和電動設備達到使用壽命時，必須單獨收集，並送至環保回收機構。請與當地相關部門或經銷商聯繫，了解回收建議和收集地點。

无负载转速	4000 min <sup>-1</sup>
电池电压	18 V
锯片直径 x 孔直径	254 x 30 mm
锯体最大厚度	3 mm
锯齿最小厚度	2.8 mm
最大锯切宽度	
斜切角 0° / 倾角 0°	91 x 289 mm
斜切角 45° / 倾角 0°	91 x 205 mm
斜切角 0° / 倾角 45°	51 x 289 mm
斜切角 45° / 倾角 45°	51 x 205 mm
重量符合EPTA—Procedure01 / 2003 (锂电池5.0 Ah)	20.0 kg

## 噪音信息

本测量值符合 EN 62841条文的規定。器械的标准A-值噪音级为

音压值 (K=3dB (A))

90.5 dB (A)

音量值 (K=3dB (A))

101.5 dB (A)

佩戴耳罩。



**警告！** 阅读所有安全警告和说明。不遵照以下警告和说明会导致电击、着火和/或严重伤害。

保存所有警告和说明书以备查阅。

## 斜切锯安全说明

- 斜切锯旨在切割木材或仿木产品，不可与切割铁质材料（如铁条、铁棒、铁螺栓等）的磨割轮一起使用。磨屑会造成活动件（如下护罩）堵塞。砂轮切割所产生的火花将会烧毁下护罩、切口插件及其他塑料件。
- 尽可能使用夹具支撑工件。如果您用手支撑工件，那么双手与锯片两端必须始终保持至少100毫米的距离。不要使用锯子切割无法安全夹紧或用手支撑的微小物件。如果您的手太靠近锯片，会增加因碰触锯片而受到伤害的风险。
- 工件必须固定夹紧或依靠靠山和工作台支撑。不要以任何方式将工件送入刀片处或“徒手”切割。非约束或活动的工件可能会被高速抛出，从而造成伤害。
- 推动锯子穿过工件。不要拉动锯子穿过工件。如果要进行切割，抬升锯头，将锯头拉出，越过工件，不进行切割，启动马达，向下按压锯头，并推动锯子穿过工件。拉锯时切割可能导致锯片爬到工件顶部，从而导致刀片组件猛烈地抛向操作员。
- 切勿将您的手越过预定切割线，不论是从锯片前面还是后面。以“双手交叉”方式支撑工件，即用您的左手握住工件，移向锯片右端或者反过来也是非常危险的。
- 刀片旋转时切勿为移除木屑或任何其他目，将双方伸到靠山后靠近锯片两端 100毫米 以内位置。旋转锯片接近您的手时可能并不明显，从而可能导致您严重受伤。
- 在切割之前检查您的工件。如果该工件弯曲或变形，以外弯曲面朝向护栏进行夹紧。始终确保工件、护栏和工作台之间沿切割线无任何间隙。弯曲或变形的工件可能会扭曲或移动，从而可能导致切割时旋转锯片上出现夹锯现象。工件中不应有任何钉状物或外来物。
- 在工作台清除工件以外的所有工具、木屑等物体之前，不要使用锯子。木头或其他物体的小碎屑或散件如接触旋转

刀片，可能会以高速抛出。

- 每次仅切割一个工件。多个堆叠的工件无法获得充分夹紧或支撑，可能会夹在刀片上或者出现移动。
- 使用前确保斜切锯安装或放置在一个水平、牢固的工作台面上。水平且牢固的工作台面可降低斜切锯变得不稳固的风险。
- 安排您的工作。每当您改变斜角或斜切角度设置时，确保可调整栏栅经准确设置以支持工件，且不会妨碍刀片或防护系统。在未“打开”工具且工作台无任何工件的情况下，移动锯片穿过完全模拟的切口，以确保不会发生干扰或切割栏栅的危险。
- 为宽于或长于台面的工件提供足够的支撑，例如加长工作台、锯木架等。长于或宽于斜切锯工作台的工件如未牢固支撑，可能会翻倒。如果物件或工件翻倒，可能会提高下护罩或被旋转刀片抛出。
- 不要利用另一个人作为工作台延伸的替代物或者作为额外支撑。对于工件的不稳固支撑可能导致切割操作期间发生刀片夹住或工件移动的情况，从而将您和您的帮助者拉向旋转刀片。
- 物件不得堵塞或以任何方式朝旋转锯片方向按压。如果受到限制，即使用长度停止，物件可能会粗暴地塞入刀片中。
- 始终使用旨在妥善支撑圆形材料（如长棒或管子）的夹具或固定物。长棒在切割时具有滚动的倾向，可导致刀片“咬住”工件并连同您的手一同拉向刀片。
- 在接触工件时，让刀片达到最大速度。这将降低工件被抛出的风险。
- 如果工件或刀片发生堵塞，关闭斜切锯。等到所有活动件停止后，从电源处拔下插座及/或取出电池组。之后开始清除堵塞的材料。在工件堵塞的情况下继续锯件可能会导致失去控制或对斜切锯造成损害。
- 完成切割后，在取出物件之前释放开关、压住锯头并等待刀片停止。将您的手靠近正在惯性运转的刀片是非常危险的行为。
- 在进行不完整切割或者在锯头完全处于朝下位置之前释放

开关的情况下，牢牢握紧手柄。锯子的制动行为可能会导致锯头突然向下运动，从而引起受伤风险。

#### 其他安全和工作说明

佩戴耳罩。暴露在噪声中可能会导致听力受损。

使用本产品时必须佩戴护目镜。建议穿戴手套、耐用防滑鞋和围裙。

使用此工具时产生的粉尘可能会影响健康。切勿吸入粉尘。使用吸尘系统，并要戴上合适的防尘口罩。彻底清除沉积的灰尘（如吸尘器）。

锯木时将锯子连接到除尘设备。

佩戴手套。

使用工具前，请阅读有关说明。如有可能，对该工具进行演示。

确保器械始终处于稳固和安全（如固定到工作台）的状态。

保持底面区域无任何散料，如碎屑和切件。

不要使用已损坏或变形的锯条。

不要使用不符合本使用说明所规定之关键数据的锯条。

仅使用满足 EN 847-1 标准的工具。

不要使用高速钢制成的锯条。

选择适合待切割材料的锯条是非常必要的。

附件的额定转速必须至少等于电动工具上标出的最大速度。附件以比其额定转速大的速度运转会发生爆裂和飞溅。

以合适的容器运输和储存工具。

不要使用非本说明手册提供或规定的任何法兰固定锯片。

切勿将斜切锯用于切割本说明手册规定之外的材料。

仅将锯子与处于良好工作状态、经妥善维护且位于合适位置的锯子一起使用。

当器械正在运转以及锯头不处于止动位置时，避免从切割区域移除工件的任何切件或其他物件。

请与运转中的机器保持安全距离。

务必使用机器的安全保护设备。

如器械出现任何故障（包括防护设施或锯头相关故障），必须在发现该故障时尽快向安全负责人进行报告。

不要夹住摆动式防护罩。

较长工件必须进行充分支撑。

在运输斜切锯时必须始终确保手柄锁处于啮合状态。

当进行斜切、坡口切割、复合斜切时，调整可调整靠山，以确保与刀片形成合适的间隙。

调整给料速度，以避免切割时过度加热刀片末端和融化塑料材料。

#### 特定使用条件

斜切锯可用于切锯坚硬的木头、粘合木材、涂胶单板、木材类似的材料以及塑料。

切勿切割具有圆形或不规则横截面（如木材）的原料，因为切割期间无法牢固支撑这些原料。切锯置于边缘的薄类原料时，必须使用适当的辅助靠山进行固定支持。

#### 剩余风险

即使产品按规定使用，依然无法完全消除某些剩余风险因素。使用过程中可能出现以下危险，操作者应注意避免：

- 听力损伤，限制接触机会并穿戴合适的听力保护设备。
- 操作者为尽可能减少震动影响和限制接触次数可能采取的措施。
- 吸入锯木时所产生的尘屑而导致的健康危险，在必要情况下可戴面具。

#### 电池

长期存放的电池，必须先充电再使用。

超过50° C (122° F) 的高温会降低电池组的效能。避免暴露于高温或阳光下(可能导致过热)。

充电器和电池组的接口处应保持清洁。

为获得最长寿命，使用后应将电池充满电。

为确保最长使用寿命，充电后应将电池从充电器取出。

电池储存时间长于30日：

在环境温度27° C左右干燥处储存电池。

在百分之30至50充电状态储存电池组。

每6个月重新充电。

#### 锂电池的运输

锂电池属于危险货品并受制于危险货品运输条例。

此电池的运输必须遵守地方、国家和国际法律规定。

用户在公路上运输此电池组不必遵守特殊规定。

锂电池的商业性运输受制于危险货品运输条例的规定。运输准备和运输必须由受过合适培训人员进行。全部过程必须由合格专业人员监督。

运输电池时必须注意到下列事项：

为避免短路，必须确保电池接点的防护和绝缘。

确保包装中的电池包不会滑动。

严禁运输损坏或泄漏电池。

进一步建议请联系运输商。

#### 电池超载保护

在极高的扭矩、结合、停滞和引起高电流消耗短路的情况下，工具将震动约5秒，电池灯会闪烁，然后工具将关闭。

如要重置，松开扳机。

在极端情况下，电池组内部的温度可能过度提升。如果发生这种情况，电池灯会闪烁，直至电池冷却下来。灯熄灭后，可以继续工作。

将电池放在充电器上，以充电和重置。

#### 维护

在机器上进行任何修护工作之前，先拿出电池。

在安装或取出锯片时确保从电源处断开工具。

工作台插件磨损时，更换此插件。

使用干布清洁工具和防护系统。

本产品的通风孔必须时刻保持畅通。

只能使用 Milwaukee 附件和备件。如果需要更换的组件在此没有介绍，请与其中一个Milwaukee服务代理机构联系（参见我们的保修/服务地址列表）。

如果需要机器的分解图，可以向您的顾客服务中心。案件时，必须向您的顾客服务中心提供以下资料：铭牌上机器的号码和机型。

#### 符号



注意！警告！危险！



在机器上进行任何修护工作之前，先拿出电池。



启动机器前，请仔细阅读本说明。



使用本产品时必须佩戴护目镜。



佩戴耳罩。



佩戴手套。



危险区域！请勿将双手、手指或手臂靠近此区域。



切勿把产品暴露在雨水中。



注意！不要盯着正在使用的灯具。



不要将电动工具与家庭垃圾材料一起处置。当电动工具和电动设备达到使用寿命时，必须单独收集，并送至环保回收机构。请与当地主管部门或经销商联系，了解回收建议和收集地点。

무부하 속도	4000 min <sup>-1</sup>
배터리 전압	18 V
톱날 직경 x 구멍 직경	254 x 30 mm
톱날 두께, 최대	3 mm
이빨을 가진 블레이드, 최소 절단폭, 최대	2.8 mm
마이터 0°/ 경사 0°	91 x 289 mm
마이터 45°/ 경사 0°	91 x 205 mm
마이터 0°/ 경사 45°	51 x 289 mm
마이터 45°/ 경사 45°	51 x 205 mm
Weight according EPTA-Procedure 01/2003 (Li-Ion 5.0 Ah)	20.0 kg

## 소음 정보

EN 62841에 따라 판별한 측정 값. 일반적인 톨의 A-가중 소음 레벨:

응압 레벨(불확정 K=3dB(A))

응향 파워 레벨(불확정 K=3dB(A))

귀마개를 착용하십시오!



**경고!** 안전 경고 문구와 설명서를 모두 읽어보십시오. 경고 문구와 설명서를 준수하지 않으면 감전, 화재 및/또는 심각한 부상이 초래될 수 있습니다.

항후 참조할 수 있도록 경고 문구와 설명서를 잘 보관해 두십시오.

## 마이터 톨 안전 설명서

- 마이터 톨은 목재나 목재류 제품을 절단하는 목적으로 사용되며 바, 봉, 스테드와 같은 금속 물질을 절단하기 위한 연마용 절삭휠과 함께 사용할 수는 없습니다. 연마로 인해 생긴 먼지는 쥘 현상을 막는 하부 가드와 같은 부품을 움직일 수 있습니다. 연마에 의한 절단 시 발생하는 불꽃은 하부 가드와 커프 인서트, 기타 플라스틱 부품을 태울 수 있습니다.
- 가능한 작업편을 지지할 수 있는 조임쇠를 이용하기 바랍니다. 손으로 작업편을 지지할 때 항상 양쪽 톨날과 손의 거리가 최소 100mm를 유지하도록 합니다. 손으로 쥐거나 붙잡기 힘이 정도로 작은 작업편을 절단할 때에는 이 톨을 사용하지 마시기 바랍니다. 톨날에 손이나 다치거나 가까이 닿을 경우 상해의 위험이 증가합니다.
- 작업편은 고정되어 정지된 상태이거나 펜스와 테이블을 지지대상이 움직이지 않도록 해야 합니다. 톨날에 작업편을 넣거나 아무렇게나 '제멋대로' 절단하지 않습니다. 고정되어 있지 않거나 움직이는 작업편은 속도가 올라갈 때 튀어올라 부상을 당할 수 있습니다.
- 작업편에 톨을 밀어넣습니다. 톨을 당겨 작업편에서 빼내지 않습니다. 절단할 때에는 톨헤드를 들어올려 작업편 위로 톨을 올리거나 모터를 작동시킨 후 톨헤드를 내려 작업편에 톨을 밀어넣으십시오. 힘을 가해 당기며 절단하면 톨날이 작업편 위로 튀어올라 맹렬한 기세로 작업자에게 날아갈 수 있습니다.
- 톱날의 앞 혹은 뒤쪽으로 절단할 때 의도하는 절단선 위에서 손을 교차하지 마십시오. '손을 교차하여' 작업편을 지지하는 것, 예를 들어 왼손을 이용하여 톨날의

오른쪽으로 작업편을 들거나 오른손을 이용하여 그 반대 방향으로 작업편을 드는 것은 위험합니다.

- 목재 파편을 제거하기 위해 톨날에서 100mm 이내의 거리에 손을 두지 마시고 어떤 이유에서건 날이 회전하고 있을 때 손을 대지 마십시오. 회전하는 톨날과 손 사이의 거리가 불분명하다면 심한 상해의 위험이 있습니다.
- 절단 작업을 시작하기 전에 작업편을 점검하기 바랍니다. 작업편이 굽어 있거나 휘어 있다면 바깥의 굽어 있는 면을 펜스를 향하도록 작업편을 고정하도록 합니다. 절단 방향과 일직선 상에서 봤을 때 작업편과 펜스, 테이블 사이에 간격이 존재하지 않아야 합니다. 굽어 있거나 휘어 있는 작업편은 뒤물리거나 변형을 일으킬 수 있고 절단 작업 시 회전하는 톨날에 제약을 가할 수 있습니다. 작업편에 못이나 이물질이 없도록 합니다.
- 작업편을 제외한 모든 공구, 목재 파편 등을 테이블에서 치운 후 톨을 사용하기 바랍니다. 목재의 작은 파편이나 조각, 회전하는 날과 부딪히는 물질들은 속도가 올라갈 때 쥘 위험이 있습니다.
- 한번에 하나의 작업편만 절단하기 바랍니다. 쌓아올린 여러 작업편은 제대로 고정하거나 지지할 수 없기 때문에 절단 작업 시 톨날에 제약이 가거나 작업편이 움직일 수 있습니다.
- 마이터 톨은 사용 전에 평평하고 움직이지 않는 작업대 위에 고정시키거나 올려놓기 바랍니다. 평평하고 움직이지 않는 작업대는 마이터 톨이 불안정한 상태가 될 수 있는 위험을 줄여줍니다.
- 작업 상황을 계획하기 바랍니다. 사면 혹은 마이터 각도를 변경할 때마다 조정가능한 펜스가 작업편을 확실하게 지지하고 톨날이나 가당 장치를 방해하지 않아야 합니다. 공구의 스위치를 키지 않고 작업편을 테이블 위에 올려놓지 않은 상태에서 완벽한 절단 시뮬레이션을 통해 톨날을 움직이므로써 작업이 방해받거나 펜스가 절단되는 위험이 생기지 않아야 합니다.
- 테이블 익스텐션과 톨질 모탕과 같은 적절한 지지물을 사용하여 테이블 높이가 보다 높여진 상태에서 작업할 수 있도록 합니다. 마이터 톨보다 길거나 넓은 작업편은

단단히 고정시키지 않은 경우 기울어질 수 있습니다. 절단된 파편이나 작업편이 기울어지면 허부 가드가 들어올러지고 파편이나 작업편이 회전하는 톱날에 의해 날아갈 수 있습니다.

- m. 사람을 테이블 익스텐션의 대체품이나 추가적인 지지물로 쓸 수 없습니다. 작업편 지지대가 불안정한 경우, 절단 시 톱날이 제대로 움직이지 않거나 작업편이 움직일 수 있으며 이때 작업자나 작업을 도와주는 사람에게 회전하는 날이 닿을 수 있습니다.
- n. 절단된 파편이 놀리고 쌓여 톱날이 회전하는 것을 방해하면 안 됩니다. 절단된 파편이 한곳에 쌓이면, 예를 들어 테이블의 면적을 제대로 이용하지 못하게 되면 파편이 톱날의 회전을 막거나 격렬하게 될 수 있습니다.
- o. 봉이나 배관과 같은 원형 재료를 확실하게 지지하기 위해 항상 조임쇠나 고정장치를 사용하기 바랍니다. 봉은 절단 시 굴러가는 경향이 있기 때문에 톱날이 '질리'거나 날에 손이 닿을 수 있습니다.
- p. 톱날이 작업편에 닿기 전에 최고 속력에 도달하도록 하십시오. 이렇게 하면 작업편이 튀는 위험을 줄일 수 있습니다.
- q. 작업편이나 톱날에 썸 현상이 나타나는 경우 마이터 톱의 전원을 끄기 바랍니다. 움직이는 부품이 완전히 멈출 때까지 기다린 후 플러그를 전원에서 분리하고 배터리 팩을 제거합니다. 위 작업이 진행 된 후 썸 제거 작업에 들어갑니다. 작업편에 썸 현상이 나타났는데도 작업을 계속한다면 톱을 제어할 수 없게 되거나 톱이 손상될 수 있습니다.
- r. 절단 작업 후 스위치를 해제하여 톱헤드를 내려놓고 톱날이 멈춘 후에 절단된 파편을 치웁니다. 관성에 의해 움직이는 톱날에 손을 가까이 대는 것은 위험합니다.
- s. 톱헤드가 완전히 아래에 있기 전 불완전 절단을 하거나 스위치를 해제할 때에는 손잡이를 단단히 잡기 바랍니다. 톱을 제동하는 경우 톱헤드가 갑자기 아래로 향해 상해의 위험이 초래될 수 있습니다.

**추가적인 안전 및 작업 지침**

귀마개를 착용하십시오! 소음에 노출되면 청력 손상을 입을 수 있습니다.

제품을 사용할 때 항상 보안경을 착용하십시오. 장갑이나 미끄럼 방지 신발, 앞치마를 착용할 것을 권장합니다.

이 공구를 사용할 때 발생하는 분진은 건강에 해로울 수 있습니다. 그러한 분진을 흡입하지 마십시오. 먼지 흡수 시스템을 사용하고 적합한 방진 마스크를 착용하십시오. 진공 청소기 등을 사용하여 증착된 먼지를 제거하십시오.

목재를 톱질할 때 먼지 수거 장치에 톱을 연결하기 바랍니다. 장갑을 착용하십시오!

공구를 사용하기 전에 설명서를 읽기 바랍니다. 가능한 지시대로 공구를 설치 사용하기 바랍니다.

항상 기계를 안정적으로 고정시킵니다 (예: 작업대에 부착) 바닥에 조각이나 절단된 파편이 날려 있지 않도록 합니다. 손상되거나 변형된 톱날은 사용하지 않습니다. 사용 설명서에 명시된 주요 정보에 부합하지 않는 톱날은 사용하지 않습니다.

EN 847-1 기준을 충족하는 공구만을 사용하도록 합니다. 고속 감철로 만들어진 톱날은 사용하지 않아야 합니다.

절단되는 재료에 적합한 톱날을 선택해야 합니다. 이 부속품의 정격 속도는 최소한 전동 공구에 표시된 최대 속도와 동일해야 합니다. 정격 속도보다 빠르게 작동하는 부속품은 파손 및 산산 조각날 수 있습니다.

적합한 용기에 공구를 넣어 옮기고 보관합니다.

톱날을 안전하게 보호하기 위해 설명서에 제시되지 않은 플랜지는 사용하지 않아야 합니다.

설명서에 명시된 것 이외의 재료를 절단하기 위해 마이터 톱을 사용하지 않아야 합니다.

정성적으로 작동하며 올바르게 유지관리되고 있는 가드가

부착된 톱을 바른 위치에서 사용합니다.

기계가 작동 중이거나 톱헤드가 정지 위치에 있지 않을 때는 작업편의 파편이나 다른 부분들을 절단 부분에서 제거하지 않아야 합니다.

구동 시 장비의 위험 구역으로 들어가지 마십시오.

항상 기계를 보호하는 보호장치를 사용하십시오.

기계의 세이프가드나 톱날 등과 관련한 결함의 경우, 결함이 발견되는 즉시 안전 관련 책임자에게 보고하기 바랍니다.

보호용 스위치개는 조임쇠로 고정하지 않습니다.

길다란 작업편의 경우, 적절한 지지대를 사용해야 합니다.

마이터 톱을 운반할 때는 언제나 손잡이의 잠금장치를 사용하기 바랍니다.

마이터 작업이나 사면 또는 복합 마이터컷 작업을 수행할 때에는 톱날에서 정확한 여유 공간을 둘 수 있도록 슬라이딩 펜스를 조정하기 바랍니다.

절단하는 동안 톱날의 끝이 과열되고 플라스틱 재료가 녹는 것을 방지하기 위해 이송속도를 조정하기 바랍니다.

**지정된 사용 조건**

원목, 접착 목재, 접착 배니어, 유사 목재류, 플라스틱을 톱질할 때 마이터 톱을 사용할 수 있습니다.

원형 또는 고르지 않은 횡단면(장작과 같은)이 있는 목재는 절단 시 고정된 상태를 유지할 수 없기 때문에 절단하지 않아야 합니다. 세위 적절한 양은 목재를 톱질할 때 단단하게 지지하기 위해 적당한 보조 펜스를 사용해야 합니다.

**잔여 위험**

제품을 지시대로 사용한다고 할지라도 특정 잔여 위험요인들을 완벽하게 제거하는 것은 불가능합니다. 다음 위험요소들이 사용 중 발생할 수 있으며 작업자는 다음의 상황을 피하기 위해 특별히 주의해야 합니다.

- 청각 장애, 소음에 대한 노출을 억제하고 적절한 청각 보호장치를 착용합니다.
- 진동의 영향을 가능한 줄이고 노출량을 억제하기 위해 작업자가 취할 수 있는 조치
- 목재 톱질 시 발생하는 먼지의 호흡기 침투로 인한 건강상의 위험. 필요한 경우 마스크를 착용하도록 합니다.

**배터리**

장시간 사용하지 않은 배터리 팩은 사용하기 전에 충전해야 합니다.

50°C(122°F)를 초과하는 온도는 배터리 팩의 성능을 저하시킵니다. 열이나 햇볕에 오래 노출시키지 마십시오(과열 위험).

충전기 점접 및 배터리 팩을 청결한 상태로 유지해야 합니다. 최적의 수명을 보장하려면 사용한 후에 배터리 팩을 완전히 충전해야 합니다.

배터리 수명을 최대한 연장하려면 완전히 충전된 경우 충전기에서 배터리 팩을 제거하십시오.

30일 이상 배터리 팩을 보관하는 경우:

온도가 27°C 미만이며 습기가 없는 장소에 배터리 팩을 보관하십시오.

배터리 팩을 30% - 50% 충전된 조건으로 보관하십시오.

보관한지 6개월이 경과할 때마다 팩을 정상적으로 충전하십시오.

**리튬 배터리의 운송**

리튬 이온 배터리는 위험물 법률 요건의 적용을 받습니다.

이 배터리는 현지, 국내 및 국제 규정과 법규에 따라 운송해야 합니다.

사용자는 추가 요건 없이 배터리를 도로를 통해 운반할 수



있습니다.

제3자가 리튬 이온 배터리를 상용으로 운송할 때에는 위험물 규정의 적용을 받습니다. 운송 준비 및 운송 작업은 적절히 교육을 이수한 개인만 수행해야 하고 그 과정에 해당 전문가가 동행해야 합니다.

배터리 운송 시 :

배터리 접촉면을 보호 및 차단하여 합선 위험을 방지하십시오. 배터리 팩이 포장 내에서 움직이지 않도록 고정하십시오. 균열 또는 누출이 있는 배터리는 운송하지 마십시오. 추가 지침은 운송 회사에 확인하십시오.



주의! 작동하고 있는 광원을 응시하지 마십시오.

전기 제품과 부속품을 일반 가정용 쓰레기와 함께 버리지 마십시오. 수명이 다한 전기 제품과 전자 장비는 분리 수거하고 재활용 시설에서 처리해야 합니다. 재활용에 관한 조인과 수거 지침에 대해서는 지방 정부당국이나 소매업자에게 확인하십시오.

### 배터리 팩 보호 리튬 이온 배터리

매우 높은 토크에서, 고전류 드로우를 야기하는 결속, 실속 및 단락 회로 상황이 발생하고, 공구가 약 5 초 동안 진동하며 연료 게이지가 깜박인 다음, 공구가 꺼집니다.

재설정하려면 트리거를 해제하십시오.

극심한 환경 조건에서, 배터리 팩의 내부 온도가 급격히 상승할 수 있습니다. 온도가 급격히 상승하면 배터리 팩이 냉각될 때까지 연료 게이지가 깜박입니다. 조명이 꺼진 후에는 작업을 계속할 수 있습니다.

배터리를 충전 및 재설정하려면 충전기에 놓습니다.

### 유지 관리

기기에서 어떠한 작업을 시작하기 전에 배터리 팩을 제거하십시오.

톱날을 부착하거나 제거하기 전에 전원에서 공구를 분리하도록 합니다.

테이블 인서트가 마모되면 교체해야 합니다.

공구와 가딩 장치를 마른 수건으로 닦으십시오.

제품의 통기구를 항상 깨끗하게 유지해야 합니다.

반드시 Milwaukee 부속품과 Milwaukee 예비품을 사용하십시오. 설명서에 제공되어 있지 않은 구성품을 교체할 필요가 경우 Milwaukee 서비스 센터 중 한 곳에 연락하십시오 (보충/서비스 센터 주소 목록을 참조).

필요 시, 제품의 분해 조립도를 주문할 수 있습니다. 현지 서비스 센터에 라벨에 표기된 제품 번호와 장비 유형을 알려주고 도면을 주문할 수 있습니다.

### 기호



주의! 경고! 위험!



제품에서 어떠한 작업을 시작하기 전에 배터리 팩을 제거하십시오.



제품을 사용하기 전에 주의하여 설명서를 읽으십시오.



제품을 사용할 때 항상 보안경을 착용하십시오.



귀마개를 착용하십시오!



장갑을 착용하십시오!



위험 구역! 이 부분에는 손이나 손가락, 팔을 대지 않아야 합니다.



공구를 비에 노출시키지 마십시오.

ความเร็วโดยไม่มีภาระโหลด	4000 min <sup>-1</sup>
แรงดันไฟแบตเตอรี่	18 V
เส้นผ่านศูนย์กลางใบมีดเลื่อย x เส้นผ่านศูนย์กลางของรู	254 x 30 mm
ความหนาของตัวใบเลื่อย, สูงสุด	3 mm
ความหนาของตัวใบเลื่อย, ต่ำสุด	2.8 mm
ความกว้างตัด, สูงสุด	
องศา 0°/มุมเอียง 0°	91 x 289 mm
องศา 45°/มุมเอียง 0°	91 x 205 mm
องศา 0°/มุมเอียง 45°	51 x 289 mm
องศา 45°/มุมเอียง 45°	51 x 205 mm
น้ำหนักตามขั้นตอนของ EPTA 01/2003 (Li-Ion 5.0 Ah)	20.0 kg

## ข้อมูลเกี่ยวกับเสียงรบกวน

ค่าที่วัดที่กำหนดตาม EN 62841 โดยทั่วไป ระดับเสียงรบกวน A ตามน้ำหนักของเครื่องมือมีค่าเท่ากับ

ระดับความดันเสียง (ค่า K แปรผัน = 3dB(A))

90.5 dB (A)

ระดับกำลังเสียง (ค่า K แปรผัน = 3dB(A))

101.5 dB (A)

อย่าลืมใส่อุปกรณ์ป้องกันหู!



**คำเตือน! โปรดอ่านคำเตือนเรื่องความปลอดภัยและคำแนะนำทั้งหมด** การไม่ปฏิบัติตามคำเตือนและคำแนะนำอาจทำให้เกิดไฟดูด เกิดไฟไหม้ และ/หรือได้รับบาดเจ็บร้ายแรงได้

**โปรดเก็บเอกสารคำเตือนและคำแนะนำทั้งหมดเพื่อใช้อ้างอิงในขนาด**

## คำแนะนำความปลอดภัยสำหรับเลื่อยแท่นตั้งองศา

- เลื่อยแท่นตั้งองศาใช้สำหรับการตัดไม้หรือผลิตภัณฑ์ที่คล้ายกับไม้ โดยไม่สามารถใช้กับงานตัดเพื่อตัดวัสดุแข็ง เช่น ท่อ ท่อนโลหะ สลักเกลียว เป็นต้น ผงขี้ดจะทำให้ส่วนประกอบที่เคลื่อนที่ เช่น อุปกรณ์ป้องกันส่วนล่าง ดัดขีด ประกายไฟจากการขัดจะเผาไหม้อุปกรณ์ป้องกันส่วนล่าง ให้ใส่รองตัดและสวมพลาสติกอื่นๆ
- ใช้แคลมป์เพื่อจับชิ้นงานหากเป็นไปได้ หากจับชิ้นงานด้วยมือคุณต้องระวังให้มีห่างจากคมเลื่อยทั้งสองฝั่งอย่างน้อย 100 มม. อย่าใช้เลื่อยนี้เพื่อตัดชิ้นงานที่มีขนาดเล็กเกินไปที่จะต้องจับหรือถือให้แน่นด้วยมือ หากคุณวางมือใกล้กับใบเลื่อยมากเกินไป อาจมีความเสี่ยงที่จะได้รับบาดเจ็บจากการใบเลื่อย
- ชิ้นงานต้องหยุดนิ่งและถูกยึดหรือจับไว้กับเครื่องก่อนและได้ะ อย่าใช้ชิ้นงานเข้าหาใบมีดหรือตัดด้วย "มือเปล่า" เด็ดขาด ชิ้นงานที่ไม่ถูกยึดหรือมีการขยับอาจถูกเหวี่ยงด้วยความเร็วสูง ทำให้เกิดการบาดเจ็บได้
- เลือกผ่านชิ้นงาน อย่างดีเลือกผ่านชิ้นงาน ในการตัด ให้ยกหัวเลื่อยและยกขึ้นให้สูงขึ้นโดยยังไม่ทำการตัด จากนั้นให้เปิดมอเตอร์ กดหัวเลื่อยลงและตัดเลื่อยผ่านชิ้นงาน การออกแรงดันอาจทำให้ใบเลื่อยมีคดออกจากชิ้นงาน และเหวี่ยงชุดใบเลื่อยอย่างรุนแรงเข้าหาผู้ใช้งาน
- ห้ามสอดมือเข้าไปในพื้นที่ตัดไม่ว่าจะข้างหน้าหรือข้างหลังใบเลื่อย การจับชิ้นงานแบบ "ไขว้มือ" เช่น การจับชิ้นงานด้านขวาของใบเลื่อยด้วยมือซ้าย หรือการจับชิ้นงานด้านซ้ายของใบเลื่อยด้วยมือขวาเป็นเรื่องที่เป็นอันตรายมาก
- อย่าเอื้อมมือไปด้านหลังเครื่องในใกล้เกินกว่า 100 มม. จากอีกด้านหนึ่งของใบเลื่อย เพื่อนำเศษไม้ ออก หรือเหตุผลอื่น ขณะที่ใช้ใบเลื่อยกำลังหมุน การให้ใบเลื่อยอยู่ใกล้ๆ มีอาจทำให้มองเห็นได้ไม่ชัดเจน และอาจก่อให้เกิดการบาดเจ็บอย่างรุนแรง

- ตรวจสอบชิ้นงานก่อนทำการตัด หากชิ้นงานถูกตัดหรือบิด ให้ยึดชิ้นงานไว้โดยหันด้านที่มีดอกเข้ากับเครื่องกัน ตรวจสอบให้แน่ใจว่าไม่มีช่องว่างระหว่างชิ้นงาน เครื่องกัน และได้ตัดลดแนวการตัด ชิ้นงานที่มีการบิดหรืออาจก่อให้เกิดการบิดหรือเคลื่อนและอาจทำให้เกิดใบเลื่อยขณะทำการตัดได้ ไม่ควรมีตะปูหรือวัตถุแปลกปลอมในชิ้นงาน

- อย่าใช้เลื่อย จนกว่าได้จะไม่มีเครื่องมือ เศษไม้ เป็นต้น นอกจากนี้ ชิ้นงาน เศษเล็กๆ หรือชิ้นส่วนไม้ หรือวัตถุอื่น ซึ่งสัมผัสกับใบเลื่อยอาจถูกเหวี่ยงด้วยความเร็วสูงได้

- ตัดที่ละหนึ่งชิ้นงานเท่านั้น การเรียงชิ้นงานซ้อนกันจะไม่สามารถยึดหรือจับได้อย่างเหมาะสม และอาจคิดในเลื่อยหรือเกิดการเลื้อนระหว่างการตัดได้

- ตรวจสอบว่าเลื่อยแท่นตั้งองศาได้รับการติดตั้งหรือวางได้ระดับมั่นคง ก่อนการใช้งาน ชิ้นงานที่ไ้ระดับมั่นคงจะช่วยให้ลดความเสี่ยงที่เลื่อยแท่นตั้งองศาจะไม่มีมั่นคงได้

- วางแผนการทำงาน ทุกครั้งที่เปลี่ยนชุดเลื่อยแท่นตั้งองศาหรือระดับต่างๆ ให้มั่นใจว่าเครื่องกันที่ปรับระดับได้ถูกติดตั้งอย่างถูกต้องเพื่อจำกัดชิ้นงานและตัดขีดกับใบมีดหรือระบบป้องกัน เมื่อ "ไม่เปิด" "ON" และไม่มีชิ้นงานบนโต๊ะ ให้เคลื่อนใบเลื่อยผ่านช่องที่จะตัด เพื่อให้มั่นใจว่าจะไม่มีมีการตัดหรืออันตรายจากเครื่องกันการตัดได้

- ทำการปรับอย่างเหมาะสม เช่น ขยายได้ะ การใช้ไม้อรงเรือเป็นต้น สำหรับชิ้นงานที่กว้างและยาวกว่าได้ะ ชิ้นงานที่ยาวและกว้างกว่าเลื่อยแท่นตั้งองศาสามารถเอียงคว่ำได้ หากไม้อรงเรือให้มั่นคง หากชิ้นส่วนที่ตัดชิ้นงานเอียงคว่ำ จะทำให้อุปกรณ์ป้องกันส่วนล่างยกขึ้นหรือเหวี่ยงใบเลื่อยที่กำลังหมุนอยู่

- อย่าใช้บุคคลอื่นแทนการขยายได้ะหรือการรองรับเพิ่มเติม การรองรับที่ไม่นับมงคลสำหรับชิ้นงานสามารถทำให้ใบมีดหรือชิ้นงานหลุดเคลื่อนได้ระหว่างการตัด ซึ่งจะลดคุณและผู้ใช้เข้าหาใบเลื่อยที่กำลังหมุนอยู่

- ชิ้นส่วนที่ตัดคดไม่ติดหรือคดทับใบเลื่อยที่กำลังหมุน หากมีการใช้งานด้วยชุดแนวขวา ชิ้นส่วนที่ถูกตัดออกอาจแตกออกจากใบเลื่อยและเหวี่ยงออกอย่างรุนแรง

- ใช้แคลมป์หรือตัวยึดที่ออกแบบมาเพื่อจับยึดวัตถุทรงกลมเสมอ เช่น ก้าน หรือท่อต่างๆ ก้านมีโอกาสนหมุนระหว่างทำการตัด ทำให้ใบเลื่อย "กีด" และดึงชิ้นงานรวมถึงมือของคุณเข้าหาใบเลื่อย

- p. ให้ใบเลือกค่าความเร็วสูงสุดก่อนสัมผัสชิ้นงาน ซึ่งจะช่วยลดความเสียหายในการเหวี่ยงชิ้นงานได้
- q. หากชิ้นงานหรือใบเลือกติดขัด ให้ปิดเลือกแทนตัดองศา รอให้ส่วนที่เคลื่อนไหวทั้งหมดหยุดนิ่ง แล้วจึงถอดปลั๊กและ/หรือชุดแบตเตอรี่ออก หลังจากนั้น ให้นำส่วนที่ติดขัดออก การเลือกชิ้นงานที่ติดต่อไป อาจก่อให้เกิดการสูญเสียการควบคุมหรือความเสียหายต่อเลือกแทนตัดองศาได้
- r. หลังจากตัดเสร็จแล้ว ให้ปล่อยสวิตช์ วางหัวเลือกลง และรอให้ใบเลือกหยุด ก่อนการนำส่วนที่ติดออก การวางมือไว้ใกล้กับใบเลือกที่กำลังหมุนเป็นสิ่งที่ไม่อันตราย
- s. จับมือจับให้กระชับเมื่อยังตัดไม่เสร็จ หรือเมื่อปล่อยสวิตช์ก่อนที่หัวเลือกจะหยุด การหยุดเลือกอาจทำให้ใบเลือกถูกดึงลงกะทันหัน และอาจทำให้เกิดการบาดเจ็บได้

**คำแนะนำเพิ่มเติมเรื่องความปลอดภัยและการใช้งาน**

สวมอุปกรณ์ป้องกันการได้ยิน เสียงดังเกินไปอาจทำให้สูญเสียความสามารถในการได้ยิน

สวมแว่นตาปรัยทุกครั้งที่ใช้ผลิตภัณฑ์ และแนะนำให้สวมถุงมือ รองเท้าที่กันลื่นที่ทนทาน และผ้ากันเปื้อน

ผู้คนที่เกิดขณะใช้เครื่องมือนี้ อาจเป็นอันตรายต่อสุขภาพ อย่ายืดหายใจเอาฝุ่นดังกล่าวเข้าไป ใช้ระบบการดูดซึมฝุ่นและสวมหน้ากากป้องกันฝุ่นละอองที่เหมาะสม เช็ดฝุ่นที่สะสมอยู่ก่อนให้หมด ตัวอย่างเช่น ดูดด้วยเครื่องดูดฝุ่น

ต่อเลือกเข้ากับอุปกรณ์เก็บฝุ่นเมื่อทำการเลือกไม้ผสมงมมือ

ก่อนใช้งานเครื่องมือ โปรดอ่านคำแนะนำ หากเป็นไปได้ ควรลองใช้งานเครื่องมือก่อน

ตรวจสอบให้แน่ใจว่าเครื่องมือคงและปลอดภัยอยู่เสมอ (เช่น การยึดเข้ากับโต๊ะ)

อย่าให้พืชมมีวัตถุที่ทำให้ลื่น เช่น ส่วนที่เกาะเกาะ และส่วนที่ติดออกมาอย่าใช้ใบเลือกที่เสียหายหรือผิดรูป

อย่าใช้ใบเลือกซึ่งไม่สอดคล้องกับข้อมูลสำคัญที่ระบุในคู่มือการใช้งาน ใช้เครื่องมือที่ได้มาตรฐาน EN 847-1

อย่าใช้เลือกที่ผลิตจากเหล็กความเร็วสูง

จำเป็นอย่างยิ่งที่ต้องเลือกใบเลือกที่เหมาะสมสำหรับวัตถุที่ตัด

ความเร็วที่ขีดของอุปกรณ์เสริม อย่างน้อยที่สุดจะต้องเท่ากับความเร็วสูงสุดที่มีตัวเลขกำกับอยู่บนเครื่องมือไฟฟ้า อุปกรณ์เสริมที่ทำงานเร็วเกินความเร็วที่ขีด อาจแตกหักและกระเด็นได้

ขนส่งและเก็บเครื่องมือในสถานที่เก็บที่เหมาะสม

อย่าใช้เครื่องมือในขณะนอกเหนือจากที่ได้รับหรือระบุในคู่มือการใช้งานเพื่อรักษาไว้

ห้ามใช้เลือกแทนตัดองศาตัดวัสดุอื่นนอกจากที่ระบุในคู่มือการใช้งาน

ใช้เลือกที่มีอุปกรณ์ป้องกันอยู่ในสภาพปกติและได้รับการดูแลอย่างเหมาะสม และอยู่ในสภาพพร้อมใช้งานเท่านั้น

ห้ามนำส่วนที่ติดหรือชิ้นส่วนอื่นของชิ้นงานออกจากพื้นที่ตัด ขณะที่กำลังใช้งานเครื่องมือ และหัวเลือกยังไม่หยุดใช้งาน

ห้ามเข้าไปในพื้นที่อันตรายของเครื่องมือไฟฟ้าในขณะที่เครื่องกำลังทำงาน

ใช้เกราะป้องกันบนเครื่องจักรอยู่เสมอ

ต้องทำการรายงานถึงผู้ที่มีหน้าที่รับผิดชอบด้านความปลอดภัย เกี่ยวกับความคิดปดคิดของเครื่องมือ ซึ่งรวมถึงอุปกรณ์ป้องกันหรือใบเลือกในพื้นที่ที่พบความคิดปดคิด

อย่ายึดเครื่องป้องกันมือ

ชิ้นงานขนาดยาวต้องมีมีการรองรับที่เหมาะสม

ต้องทำการล็อกที่จับเมื่อขนส่งเลือกแทนตัดองศา

เมื่อทำการการตัดปรับองศาตามเสียง หรือมุมประกอบ ให้ปรับเครื่องกับแบบเลื่อนเพื่อให้ไม่มีสิ่งกีดขวางใบเลือก

ปรับความเร็วการป้อนเพื่อหลีกเลี่ยงการทำให้ใบเลือกร้อนเกินไป และหลีกเลี่ยงการละลายของวัสดุที่เป็นพลาสติกที่ระวางการตัด

**สภาพการใช้นานที่กำหนด**

เลือกแทนตัดองศาสามารถใช้งานได้สำหรับเลือกไม้แข็ง ไม้อัด ไม้อัดทั้งแผ่น และวัสดุที่คล้ายกับไม้ รวมถึงพลาสติกได้

วัตถุที่มีเส้นตัดทรงกลมหรือไม่สมมาตร (เช่น ไม้พิน) ต้องถูกตัดแบ่งก่อน เนื่องจากไม่สามารถยึดให้มั่นคงระหว่างการตัดได้ เมื่อเลือกวัตถุที่บางที่วางบนขอบ ต้องใช้เครื่องกับเสริมที่เหมาะสมเพื่อในการยึดจับอย่างมั่นคง

**ความเสี่ยงที่เหลืออยู่**

ถึงแม้เครื่องมือจะได้รับการใช้ตามที่กำหนด แต่ก็ไม่สามารถกำจัดปัจจัยความเสี่ยงที่หลงเหลืออยู่ได้ อัตราต่อไปนี้อาจเกิดขึ้นในการใช้งานและผู้ดำเนินการควรให้ความสนใจเป็นพิเศษเพื่อหลีกเลี่ยงกรณีต่อไปนี้

- ความคิดปดคิดในการได้ยิน การจำกัดการสัมผัส และควรสวมอุปกรณ์ป้องกันที่เหมาะสม
- การวัดค่าซึ่งสามารถดำเนินการได้โดยผู้ใช้งานเพื่อลดผลกระทบจากการสั่นและจำกัดความเสี่ยงต่างๆ
- อันตรายต่อสุขภาพอาจเกิดจากผงที่หายใจเข้าไป ซึ่งอาจเกิดขึ้นเมื่อทำการเลือกไม้ ควรสวมหน้ากากเมื่อจำเป็น

**แบตเตอรี่**

ชุดแบตเตอรี่ใหม่มีขีดความจุไหลลดเต็มหลังจากการชาร์จและ ปลัถย 4-5 ครั้ง ควรจะชาร์จชุดแบตเตอรี่ที่ยังไม่ได้ถูกนำมาใช้ ระยะหนึ่งก่อน การใช้งาน

ประสิทธิภาพของชุดแบตเตอรี่จะลดลงหากอุณหภูมิสูงกว่า 50°C (122°F) หลีกเลี่ยงไม่ให้ถูกแดดหรือความร้อนเป็นเวลา (เสียงต่อความร้อนเกิน)

ต้องหมั่นดูแลความสะอาดหน้าสัมผัสตัวชาร์จกับชุดแบตเตอรี่

เพื่อยืดอายุการใช้งาน ควรชาร์จแบตเตอรี่ให้เต็มหลังจากใช้งาน

เพื่อรักษาอายุแบตเตอรี่ให้มากที่สุด ให้ถอดชุดแบตเตอรี่ออกจากตัวชาร์จเมื่อชาร์จไฟเต็ม

สำหรับชุดแบตเตอรี่ที่ต้องการเก็บไว้นานกว่า 30 วัน:

เก็บชุดแบตเตอรี่ไว้ที่อุณหภูมิต่ำกว่า 27°C และหลีกเลี่ยงความชื้น

เก็บชุดแบตเตอรี่ไว้ที่ประจุ 30% - 50%

ให้ชาร์จแบตเตอรี่ตามปกติทุกหกเดือนที่เก็บ

**การขนส่งแบตเตอรี่ลิเธียม**

แบตเตอรี่ลิเธียมไอออนอยู่ภายใต้ข้อกำหนดตามกฎหมายของสินค้าอันตราย

การขนส่งแบตเตอรี่เหล่านี้ต้องกระทำตามกฎระเบียบและข้อบังคับของท้องถิ่น ของประเทศ และระหว่างประเทศ

ผู้ใช้งานการขนส่งแบตเตอรี่ทางถนนได้โดยไม่มีข้อกำหนดใดๆ เพิ่มเติม

การขนส่งแบตเตอรี่ลิเธียมไอออนเชิงพาณิชย์โดยนิติบุคคลอื่นต้องดำเนินการภายใต้กฎระเบียบว่าด้วยสินค้าที่มีอันตราย การเตรียมการขนส่งและการขนส่งต้องดำเนินการโดยบุคลากรที่ผ่านการฝึกอบรมมาแล้วเท่านั้น และในระหว่างดำเนินการต้องมีผู้เชี่ยวชาญที่เกี่ยวข้องคอยกำกับดูแล

เมื่อขนย้ายแบตเตอรี่:

ตรวจสอบให้แน่ใจว่าตัวต่อแบตเตอรี่ได้รับการปกป้องและหุ้มฉนวนเพื่อป้องกันไฟฟ้าลัดวงจร โปรดตรวจสอบให้แน่ใจว่าแบตเตอรี่ได้รับการบรรจุหีบห่ออย่างมั่นคงเพื่อป้องกันการขยับเขยื้อน ห้ามเคลื่อนย้ายแบตเตอรี่ที่แตกหรือรั่ว ตรวจสอบกับบริษัทจัดส่งเพื่อขอคำแนะนำเพิ่มเติม

**การป้องกันชุดแบตเตอรี่ลิเธียมไอออน**

ในสถานการณ์ที่เกิดแรงบิดสูง ติดขัด สะดุด และเกิดการลัดวงจรเนื่องจากมีกระแสช็อกกลับสูง เครื่องมือจะเป็นเวลา 5 วินาที และถูกจำนำมันจะกะพริบ แล้วเครื่องมือจะดับลง

กดปุ่มรีเซ็ต ปล่อยให้

ภายใต้สถานการณ์รุนแรง อาจอุณหภูมิภายในของแบตเตอรี่อาจจะสูงขึ้นได้ หากเกิดเหตุการณ์นี้ขึ้น เกจนำมันจะกะพริบจนกว่าแผงแบตเตอรี่จะเย็นลง หลังจากที่ได้ดับลง เครื่องจะสามารถใช้งานต่อไปได้

วางแบตเตอรี่บนที่ชาร์จเพื่อชาร์จและตั้งค่ามัน

## การบำรุงรักษา

ถอดชุดแบตเตอรี่ออกก่อนเริ่มทำการใด ๆ กับเครื่องใช้ ตรวจสอบให้แน่ใจว่าได้ถอดปลั๊กเครื่องมือก่อนตัดหรือใส่ใบเลื่อย เปลี่ยนได้ะป้อนชิ้นงานเมื่อสึกหรอ ทำความสะอาดเครื่องมือและระบบป้องกันด้วยผ้าแห้ง หากแปรงคาร์บอนเสื่อมสภาพ นอกเหนือไปจากการเปลี่ยนแปลง ใน ส่วนของเครื่องมือเองก็ควรจะถูกส่งไปยังบริการหลังการขาย นี้จะช่วย ให้อายุการใช้งานที่ยาวนานขึ้นและมีประสิทธิภาพการทำงานสูงสุด ใช้อุปกรณ์เสริมและชิ้นส่วนสำรองของ Milwaukee เท่านั้น หากจำเป็น ต้องเปลี่ยนชิ้นส่วนที่ไม่ได้ระบุไว้ข้างต้น โปรดติดต่อพนักงานบริการ ของ Milwaukee (โปรดดูรายชื่อร้านรับประกัน/บริการของเรา) ถ้าต้องการ สามารถส่งภาพการระเบิดของเครื่องมือได้ โปรดระบุ หมายเลขเอกสารและประเภทเครื่องจักรที่พิมพ์บนฉลาก และส่งภาพที่ ตัวแทนบริการในพื้นที่ของท่าน

## เครื่องหมาย



ระวัง! ค่าเดือน! อันตราย!



ถอดชุดแบตเตอรี่ออกก่อนเริ่มทำการใด ๆ กับ ผลิตภัณฑ์



โปรดอ่านคำแนะนำอย่างละเอียดก่อนเริ่มใช้งาน ผลิตภัณฑ์



สวมแว่นตานิรภัยทุกครั้งที่ใช้ผลิตภัณฑ์



อย่าลืมใส่อุปกรณ์ป้องกันหู!



สวมถุงมือ



พื้นที่อันตราย! ระวังไม่ให้มีोनิวหรือแขนอยู่ใกล้ พื้นที่



ห้ามให้เครื่องมือเปียกฝน

ระวัง! อย่าจ้องที่ไฟทำงาน



อย่าทิ้งเครื่องมือไฟฟ้าร่วมกับขยะในครัวเรือน เครื่องมือไฟฟ้าและอุปกรณ์อิเล็กทรอนิกส์ทั้งหมด อายุใช้งานแล้วจะต้องเก็บแยกกันและส่งกลับไป ยังสถานีรีไซเคิลเพื่อสิ่งแวดล้อม ตรวจสอบกับผู้มี อำนาจในท้องถิ่นของคุณหรือร้านค้าปลีกสำหรับคำแนะนำในการรีไซเคิลและจุดเก็บรวบรวม



Kecepatan tanpa beban	4000 min <sup>-1</sup>
Tegangan baterai	18 V
Diameter mata gergaji x diameter lubang	254 x 30 mm
Ketebalan tubuh mata gergaji, maksimal	3 mm
Ketebalan gigi mata gergaji	2.8 mm
Lebar pemotongan, maksimal	
Miter 0°/ Sudut kemiringan 0°	91 x 289 mm
Miter 45°/ Sudut kemiringan 0°	91 x 205 mm
Miter 0°/ Sudut kemiringan 45°	51 x 289 mm
Miter 45°/ Sudut kemiringan 45°	51 x 205 mm
Bobot sesuai dengan Prosedur EPTA 01/2003 (Li-Ion 5.0 Ah)	20.0 kg

#### Informasi kebisingan

Nilai terukur yang ditentukan sesuai EN 62841. Biasanya, level kebisingan tertimbang A dari alat adalah:

Tingkat tekanan suara (K Ketidakpastian=3dB(A))	90.5 dB (A)
Tingkat kekuatan suara (K Ketidakpastian=3dB(A))	101.5 dB (A)

*Pakailah pelindung telinga!*



**PERINGATAN! Baca semua peringatan keselamatan dan semua petunjuk.** Jika tidak mematuhi peringatan dan petunjuk, dapat berakibat sengatan listrik, kebakaran, dan/atau cedera parah.

**Simpan semua peringatan dan petunjuk sebagai referensi sewaktu-waktu.**

#### PETUNJUK KESELAMATAN UNTUK GERGAJI MITER

- Gergaji miter dimaksudkan untuk memotong kayu atau produk seperti-kayu, gergaji ini tidak dapat digunakan dengan roda potong abrasif untuk memotong bahan besi seperti batang, batang bulat, stud, dll Debu abrasif menyebabkan bagian kecil untuk bergerak seperti pelindung bawah macet. Percikan dari pemotongan abrasif dapat membakar pelindung bawah, selitan gergaji dan komponen plastik lainnya.
- Gunakan penjepit untuk menopang benda kerja setiap kali dapat dilakukan. Jika menopang benda kerja dengan tangan, Anda harus menjaga jarak tangan Anda setidaknya 100 mm dari kedua sisi mata gergaji. Jangan menggunakan gergaji ini untuk memotong potongan-potongan yang terlalu kecil untuk dijepit secara aman atau dipegang dengan tangan. Jika tangan Anda ditempatkan terlalu dekat dengan mata gergaji, ada peningkatan risiko cedera akibat kontak dengan mata gergaji.
- Benda kerja harus dimantapkan dan dijepit atau dipegang baik terhadap pagar maupun meja. Jangan gerakkan benda kerja menuju mata gergaji atau memotong dengan "tangan bebas" dengan cara apapun. Benda kerja yang tidak ditahan atau bergerak dapat terlempar saat kecepatan tinggi, menyebabkan cedera.
- Dorong gergaji melalui benda kerja. Jangan tarik gergaji melalui benda kerja. Untuk memotong, angkat kepala gergaji dan tarik ke-arah benda kerja tanpa memotong, hidupkan motor, tekan kepala gergaji ke bawah dan dorong

gergaji melalui benda kerja. Memotong dengan cara menarik cenderung menyebabkan mata gergaji mendaki di atas benda kerja dan melempar perangkat gergaji dengan keras ke arah operator.

- Jangan pernah melewati tangan Anda di atas jalur yang dimaksudkan untuk pemotongan baik di depan atau di belakang mata gergaji. Menopang benda kerja "dengan cara menyilangkan" misalnya., menahan benda kerja di kanan mata gergaji dengan tangan kiri anda atau sebaliknya sangat berbahaya.
- Jangan menggapai dibalik pagar dengan tangan manapun lebih dekat dari 100 mm dari kedua sisi mata gergaji, untuk membuang sisa kayu, atau karena alasan apapun saat pisau berputar. Kedekatan mata gergaji yang sedang berputar ke tangan Anda mungkin tidak terlihat jelas dan Anda dapat terluka parah.
- Periksa benda kerja Anda sebelum memotong. Jika benda bengkok atau melengkung, jepit benda kerja dengan permukaan yang bengkok menghadap ke pagar. Selalu pastikan bahwa tidak ada celah antara benda kerja, pagar dan meja sepanjang jalur pemotongan. Benda kerja yang bengkok atau melengkung dapat berputar atau bergeser dan dapat menjepit mata gergaji putar saat pemotongan. Tidak boleh ada paku atau objek asing lain di dalam benda kerja.
- Jangan gunakan gergaji sampai meja bersih dari semua peralatan, sisa kayu, dll kecuali benda kerja. Puing-puing kecil atau bagian kayu atau benda lain yang tersentuh pisau berputar dapat terlempar dengan kecepatan tinggi.
- Potong hanya satu benda kerja pada satu waktu. Tumpukan benda kerja tidak dapat di jepit atau ditahan dengan semestinya dan dapat menjepit mata gergaji atau bergeser saat pemotongan.
- Pastikan gergaji miter terpasang atau ditempatkan pada permukaan kerja yang rata, mantap sebelum digunakan. Permukaan kerja yang mantap dan rata mengurangi risiko

gergaji miter menjadi tidak stabil.

- k. Rencanakan pekerjaan anda. Setiap anda mengganti pengaturan sudut bevel atau miter, pastikan pagar yang dapat diatur diposisikan dengan benar untuk menopang benda kerja dan tidak akan mengganggu sistem pelindung atau mata gergaji. Tanpa menghidupkan peralatan dan tanpa benda kerja di atas meja, gerakkan mata gergaji melalui pemotongan simulasi untuk memastikan tidak ada gangguan atau bahaya pemotongan pagar.
- l. Siapkan penopang yang cukup seperti meja tambahan, kuda-kuda, dll, untuk suatu benda kerja yang lebih lebar dan lebih panjang dari muka meja. Benda kerja yang lebih panjang atau lebih lebar dari ujung meja gergaji miter dapat terbalik jika tidak ditopang secara aman. Jika sisa potong atau benda kerja terbalik, sisa potongan atau benda kerja ini dapat mengangkat pelindung bawah atau terlempar oleh mata gergaji yang berputar.
- m. Jangan menggunakan orang sebagai pengganti perpanjangan meja atau penopang tambahan. Penopang benda kerja yang tidak stabil dapat menyebabkan mata gergaji terjepit atau benda kerja bergeser selama operasi pemotongan sehingga menarik Anda dan orang yang membantu Anda ke arah mata gergaji yang sedang berputar.
- n. Potongan tidak boleh disumbat atau ditekan dengan cara apapun melawan mata gergaji yang sedang berputar. Jika dalam posisi terkurung, misalnya, gunakan penghalang panjang, sisa potongan dapat terdesak oleh mata gergaji atau terlempar dengan keras.
- o. Selalu gunakan penjepit atau perlengkapan yang dirancang untuk menyangga material yang bundar seperti batang bulat atau pipa. Batang bulat cenderung terguling saat sedang dipotong, menyebabkan pisau "menggigit" dan menarik benda kerja dengan tangan Anda ke arah mata potong.
- p. Biarkan mata gergaji mencapai kecepatan penuh sebelum kontak dengan benda kerja. Hal ini akan mengurangi risiko benda kerja terlempar.
- q. Jika benda kerja atau mata potong macet, matikan gergaji miter. Tunggu semua bagian berputar berhenti dan putuskan listrik dari sumber daya dan/atau lepaskan baterai. Kemudian bebaskan material yang tersumbat. Meneruskan menggergaji dengan benda kerja yang tersumbat dapat menyebabkan kehilangan kendali atau kerusakan pada gergaji miter.
- r. Setelah selesai memotong, lepaskan saklar, tahan kepala gergaji ke bawah dan tunggu pisau berhenti sebelum melepaskan bagian potong. Berbahaya jika meraih dengan tangan di dekat peluncur pisau.
- s. Pegang gagang dengan kuat saat melakukan pemotongan yang belum selesai atau ketika melepaskan saklar sebelum kepala gergaji benar-benar di posisi bawah. Aksi pengereman gergaji dapat menyebabkan kepala gergaji teritarik ke bawah secara tiba-tiba, menyebabkan risiko cedera.

#### PETUNJUK KESELAMATAN DAN KERJA TAMBAHAN

Pakai pelindung telinga. Berada di lingkungan yang bising dapat menyebabkan gangguan pendengaran.

Selalu pakai kacamata goggle saat menggunakan produk ini. Dianjurkan untuk memakai sarung tangan, sepatu anti-tergelincir yang kuat dan apron.

Debu yang timbul saat menggunakan alat ini dapat membahayakan kesehatan. Jangan menghirup debu.

Gunakan sistem penyedot debu dan masker debu yang tepat. Buang semua kumpulan debu, mis. dengan pembersih vakum. Hubungkan gergaji ke perangkat pengumpul debu ketika menggergaji kayu.

Pakai sarung tangan.

Sebelum menggunakan alat ini harap baca petunjuk. Jika memungkinkan mintalah alat ini diuji coba.

Pastikan mesin dalam kondisi stabil dan aman (misal, terpasang pada bangku)

Jaga agar area lantai bebas dari material yang lepas misalnya, serpihan dan sisa potongan.

Jangan menggunakan gergaji yang rusak atau cacat. Jangan menggunakan gergaji yang tidak sesuai dengan data kunci yang diberikan dalam petunjuk penggunaan ini.

Hanya gunakan alat yang memenuhi Standar EN 847-1.

Jangan menggunakan gergaji yang terbuat dari baja kecepatan tinggi.

Pilihlah mata gergaji yang cocok untuk material yang sedang dipotong.

Kecepatan terukur aksesoris tersebut setidaknya harus sama dengan kecepatan maksimum yang ditandai di alat listrik ini. Aksesoris yang bekerja lebih cepat dari kecepatan terukurnya dapat rusak dan terlepas.

Angkut dan simpan alat-alat dalam wadah yang sesuai;

Jangan menggunakan flensa selain yang disediakan atau ditunjukkan dalam

instruksi manual untuk mengamankan mata gergaji.

Jangan pernah menggunakan gergaji miter untuk memotong material selain yang ditentukan dalam instruksi manual.

Hanya gunakan gergaji dengan pelindung dalam keadaan baik dan dipelihara dengan baik, serta dalam posisi yang benar.

Jangan membuang sisa potongan atau bagian lain dari benda kerja dari daerah pemotongan saat mesin sedang berjalan dan kepala gergaji tidak dalam posisi istirahat.

Jangan sekali-kali meraih menyentuh daerah berbahaya perkakas listrik ini ketika alat sedang berjalan.

Selalu gunakan perisai pelindung pada mesin.

Kerusakan apapun pada mesin, termasuk yang terkait dengan pelindung atau gergaji, harus dilaporkan kepada orang yang bertanggung jawab atas keselamatan sesegera mungkin.

Jangan menjepit pelindung ayunan.

Benda kerja panjang harus ditopang secara memadai.

Gagang kunci harus selalu terpasang saat mengangkut gergaji miter.

Saat menggunakan miter, bevel atau gabungan miter potong, atur pagar geser untuk memastikan daerah bebas yang benar dari mata gergaji.

Sesuaikan kecepatan gerakan pemotongan untuk menghindari tepi mata gergaji terlalu panas dan untuk menghindari material plastik meleleh saat pemotongan.

#### KONDISI PENGGUNAAN KHUSUS

Gergaji miter dapat digunakan untuk menggergaji kayu utuh, kayu terikat, dilem veneer, material yang mirip dengan kayu, maupun plastik.

Stok yang memiliki penampang bulat atau tidak teratur (seperti kayu bakar) tidak boleh dipotong, karena tidak dapat dipegang dengan aman selama pemotongan. Saat memotong stok yang tipis baringkan di tepi, pagar tambahan yang sesuai harus digunakan untuk menopang dengan mantap.

#### RISIKO RESIDUAL

Bahkan ketika produk digunakan seperti yang ditentukan, masih tidak mungkin untuk sepenuhnya menghilangkan faktor risiko residual tertentu. Bahaya berikut mungkin timbul dalam penggunaan dan operator harus memberikan perhatian

husus untuk menghindari hal-hal berikut:

- Kerusakan pendengaran, batasi paparan dan gunakan pelindung pendengaran yang sesuai.
- Langkah-langkah yang dapat diambil oleh operator untuk kemungkinan mengurangi efek getaran dan membatasi jumlah paparan.
- Bahaya kesehatan akibat menghirup debu terakumulasi saat menggergaji kayu, pakai masker jika perlu.

## BATERAI

Pek baterai yang belum digunakan dalam satu jangka masa perlu dicas semula sebelum digunakan.

Suhu yang melebihi 50°C (122°F) akan mengurangi kinerja paket baterai. Hindari paparan berkepanjangan terhadap panas atau sinar matahari (risiko panas berlebihan).

Kontak pada pengisi daya dan paket baterai harus dijaga kebersihannya.

Untuk masa pemakaian optimal, paket baterai harus diisi dayanya hingga penuh setelah digunakan.

Untuk memaksimalkan masa pemakaian baterai, lepaskan paket baterai dari pengisi daya setelah terisi sepenuhnya.

Untuk penyimpanan paket baterai lebih dari 30 hari:

Simpan paket baterai jika suhu berada di bawah 27°C dan jauhkan dari kelembapan.

Simpan paket baterai dalam kondisi terisi dayanya 30% - 50%.

Jika penyimpanan paket baterai mencapai enam bulan, isi daya baterai seperti biasa.

## PENGGANGKUTAN BATERAI LITIUM

Baterai litium-ion tunduk pada persyaratan Legisiasi Barang Berbahaya

Pengangkutan baterai ini harus dilakukan sesuai regulasi dan peraturan daerah, nasional, dan internasional.

Pengguna dapat membawa baterai di jalan tanpa peraturan lebih lanjut.

Pengangkutan komersial baterai Litium-Ion oleh pihak ketiga tunduk pada peraturan Barang Berbahaya. Persiapan pengangkutan dan pengangkutan harus dilakukan oleh orang yang terlatih dan prosesnya harus didampingi oleh pakar yang terkait.

Ketika mengangkut baterai:

Pastikan bahwa terminal kontak baterai terlindungi dan terisolasi untuk mencegah korsleting. Pastikan wadah baterai sudah dikencangkan agar tidak terpengaruh oleh pergerakan di dalam pengemasannya. Jangan mengangkut baterai yang retak atau bocor. Tanyakan kepada perusahaan pengiriman untuk memperoleh pemberitahuan lebih lanjut.

## PERLINDUNGAN KEMASAN BATERAI - BATERAI LITIUM-ION

Dalam torsi yang sangat tinggi, mengikat, mogok dan situasi arus pendek yang menyebabkan tarikan arus tinggi, alat akan bergetar selama sekitar 5 detik, pengukur bahan bakar akan berkedip, dan kemudian alat akan padam.

Untuk menyatel ulang, lepaskan pemacu.

Dalam kondisi ekstrem, suhu dalam baterai dapat meningkat.

Jika hal ini terjadi, pengukur bahan bakar akan berkedip hingga paket baterai menjadi lebih dingin. Setelah lampu tersebut padam, Anda dapat melanjutkan pekerjaan.

Letakkan baterai pada pengisi daya untuk diisi dan disatel ulang.

## PEMELIHARAAN

Lepaskan paket baterai sebelum memulai pekerjaan apa pun pada alat.

Pastikan untuk melepas alat dari sumber listrik sebelum melepas atau memasang bilah gergaji.

Ganti meja masukan bila meja telah aus

Bersihkan alat dan sistem pelindung dengan kain kering.

Slot ventilasi mesin harus tetap bersih setiap saat.

Gunakan hanya aksesori Milwaukee dan suku cadang Milwaukee. Jika komponen yang belum dijelaskan perlu diganti, silakan hubungi agen servis Milwaukee.

Jika diperlukan, gambar pecahan komponen dapat dipesan. Sebutkan no. artikel serta tipe mesin yang dicetak pada label dan pesan gambarnya di agen servis terdekat Anda.

## SIMBOL



PERHATIAN! PERINGATAN! BAHAYA!



Lepaskan paket baterai sebelum memulai pekerjaan apa pun pada produk.



Baca petunjuk dengan cermat sebelum memulai menggunakan produk.



Selalu pakai kacamata goggle saat menggunakan produk ini.



Pakailah pelindung telinga!



Pakai sarung tangan.



Area berbahaya! Jauhkan tangan, jari jemari atau lengan dari area ini.



Alat ini tidak boleh terkena hujan sama sekali.



PERHATIAN! Jangan menatap pada lampu yang sedang beroperasi.



Jangan membuang perkakas listrik bersama dengan material limbah rumah tangga. Perkakas listrik dan peralatan elektronik yang telah mencapai akhir masa pakainya harus dikumpulkan secara terpisah dan dikembalikan ke fasilitas daur ulang yang selaras dengan lingkungan. Tanyakan kepada otoritas atau penyalur setempat mengenai daur ulang dan titik pengumpulan.

