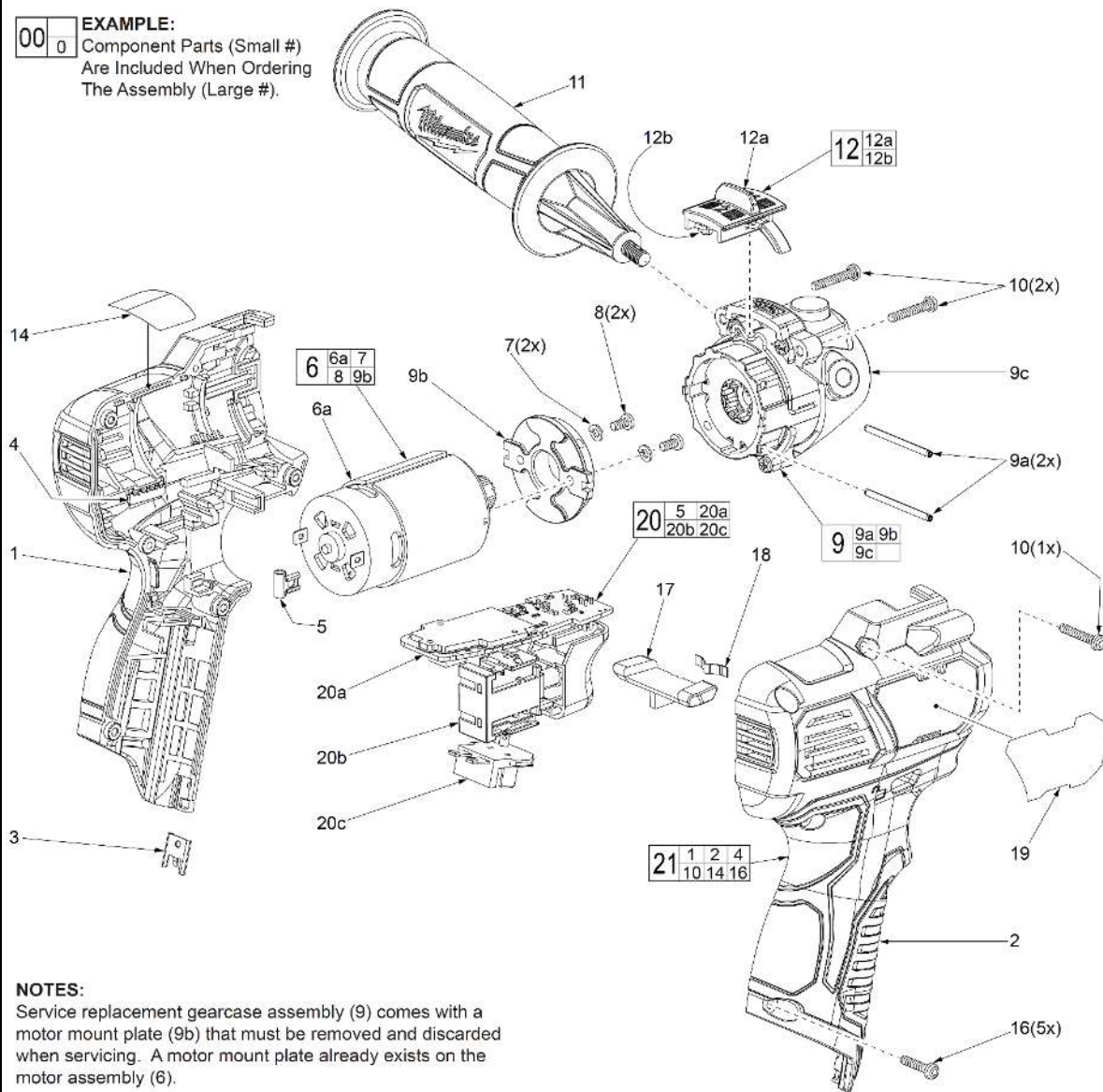


00 0

EXAMPLE:
Component Parts (Small #)
Are Included When Ordering
The Assembly (Large #).

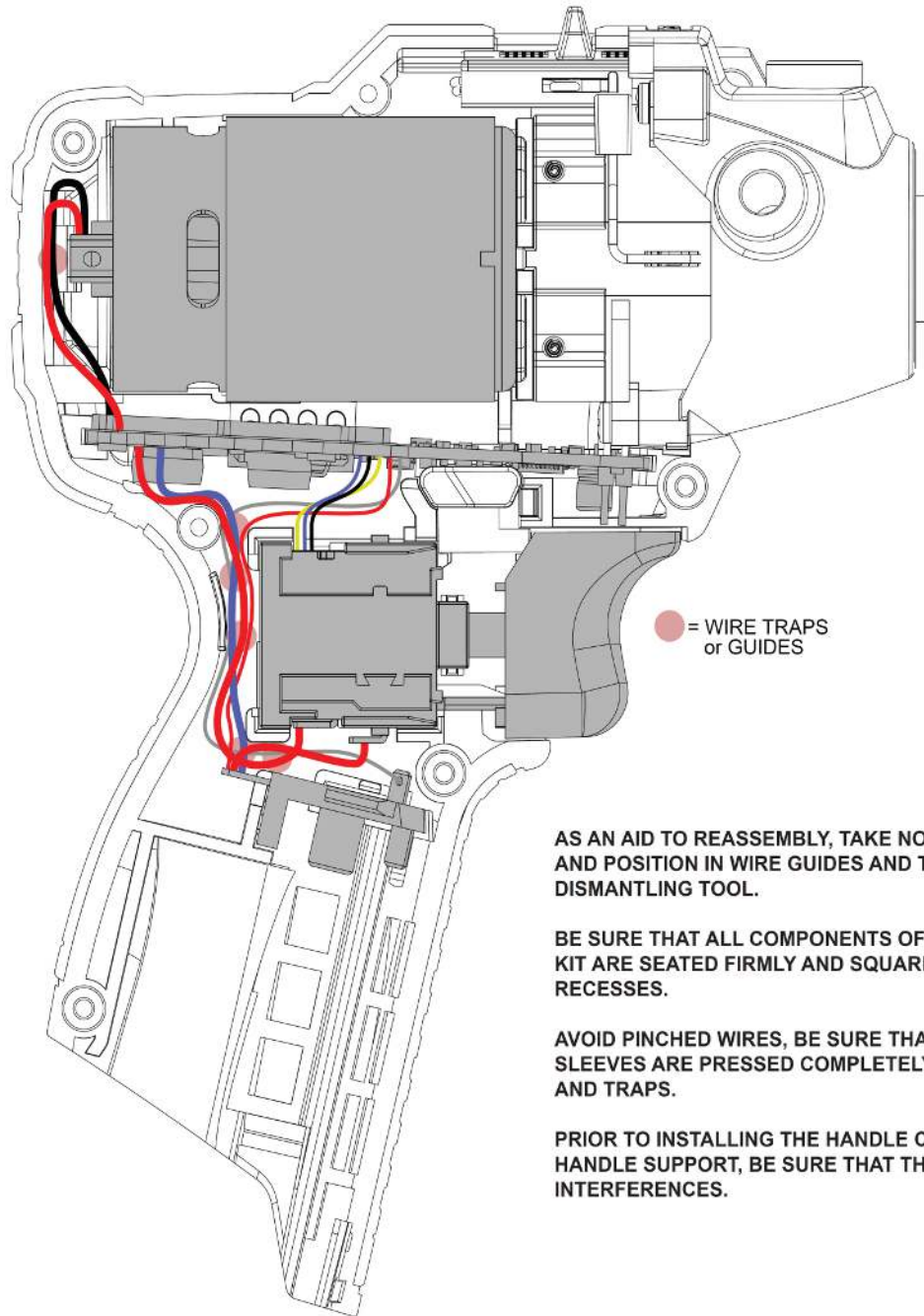


NOTES:

Service replacement gearcase assembly (9) comes with a motor mount plate (9b) that must be removed and discarded when servicing. A motor mount plate already exists on the motor assembly (6).

	<h1>M12 BPS</h1> <p>SERVICE PARTS LIST</p>	Bulletin Date: <h2>Jan-18</h2>
	<p>TTI Model Number: 018 109 013</p> <p>M12 SPOT POLISHER</p>	<p>Starting Serial Number:</p> <p>VERSION A - A2015</p>

ITEM	PART NUMBER	PART DISCRIPTION	QTY (PCS)
1	-	HOUSING SUPPORT, LEFT	1
2	-	HOUSING COVER, RIGHT	1
3	631542003	HOUSING CLIP	1
4	591339001	LIGHT PIPE	1
5	-	TERMINAL CLIP (SHOWN WITHOUT WIRE)	1
6	202882001	MOTOR ASSEMBLY	1
6a	-	MOTOR WITH PINION	1
7	670028003	SPRING WASHER	2
8	660211062	M3 X 6MM SCREW	2
9	202985001	GEARBOX ASSEMBLY	1
9a	-	MOTOR MOUNT PIN	2
9b	-	MOTOR MOUNT PLATE	1
9c	-	GEARBOX/FRONT HOUSING	1
10	660230017	M3 X 18MM SCREW	3
11	306310001	SIDE HANDLE	1
12	202883001	SPEED SELECTOR ASSEMBLY	1
12a	-	SPEED SELECTOR	1
12b	-	TORSION SPRING	1
14	941300027	WARNING LABEL	1
15	-	FUEL GAUGE LABEL (NOT SHOWN)	1
16	660570005	M3 X 14MM SCREW	5
17	526630001	LOCKING SHUTTLE	1
18	633852001	SPRING PLATE	1
19	941048053	SERVICE NAMEPLATE	1
20	202881002	ELECTRONICS ASSEMBLY	1
20a	-	PCBA	1
20b	-	SWITCH	1
20c	-	BATTERY TERMINAL CONNECTOR BLOCK	1
21	202884001	HANDLE KIT	1
23	202886001	5 PIECE ACCESSORY KIT (NOT SHOWN)	1
		CONSISTING OF:	
	-	3" WOOL PAD WITH BACK RECESS	1
	-	3" WHITE FOAM PAD	1
	-	3" YELLOW FOAM PAD	1
	306288001	3" BACKING PAD WITH M9 X .75 THREAD	1
	306289001	2" BACKING PAD WITH M9 X .75 THREAD	1



● = WIRE TRAPS
or GUIDES

AS AN AID TO REASSEMBLY, TAKE NOTICE OF WIRE ROUTING AND POSITION IN WIRE GUIDES AND TRAPS WHILE DISMANTLING TOOL.

BE SURE THAT ALL COMPONENTS OF THE ELECTRONICS KIT ARE SEATED FIRMLY AND SQUARELY IN THE HANDLE RECESSES.

AVOID PINCHED WIRES, BE SURE THAT ALL WIRES AND SLEEVES ARE PRESSED COMPLETELY DOWN IN WIRE GUIDES AND TRAPS.

PRIOR TO INSTALLING THE HANDLE COVER ONTO THE HANDLE SUPPORT, BE SURE THAT THERE ARE NO INTERFERENCES.