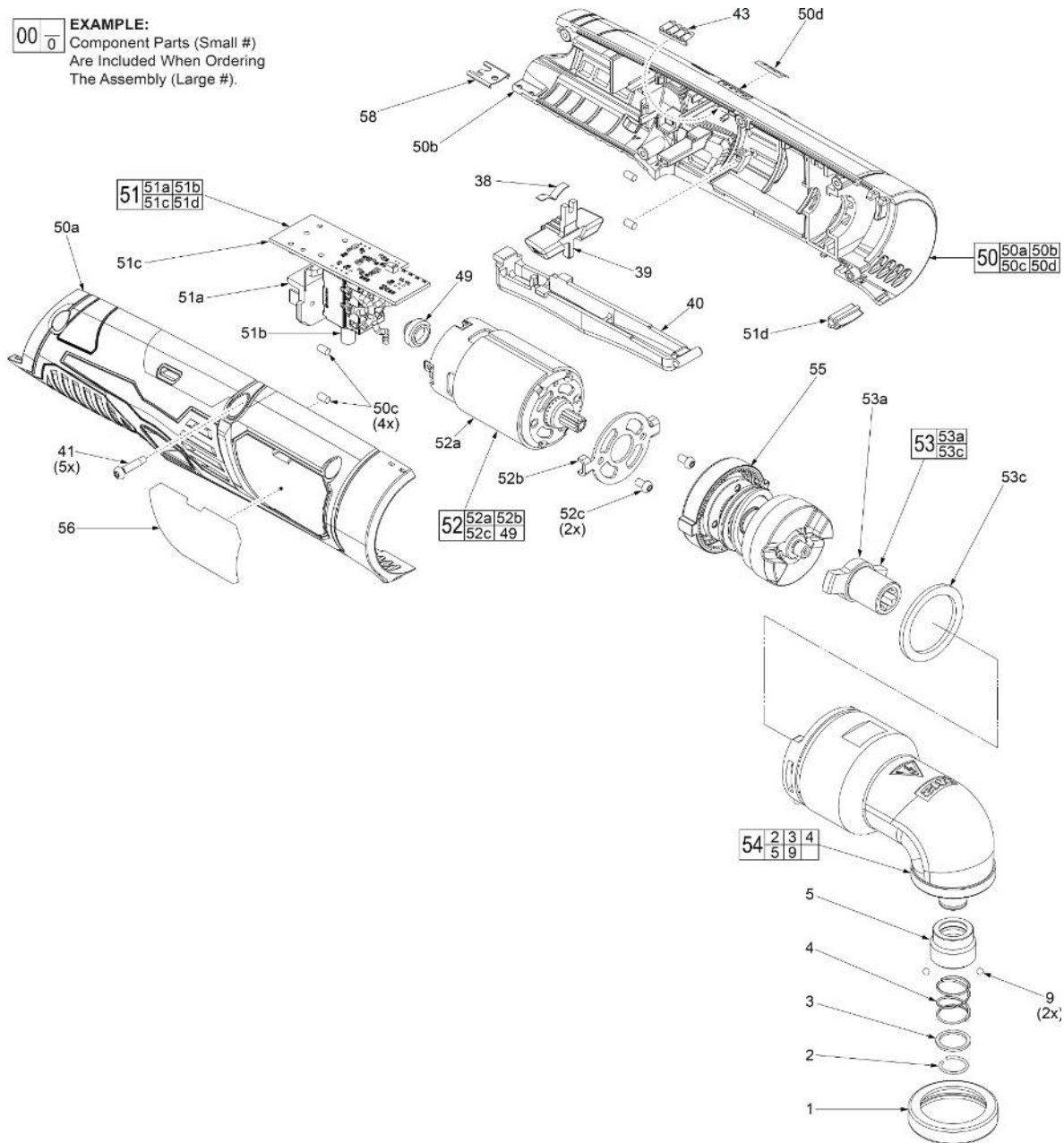
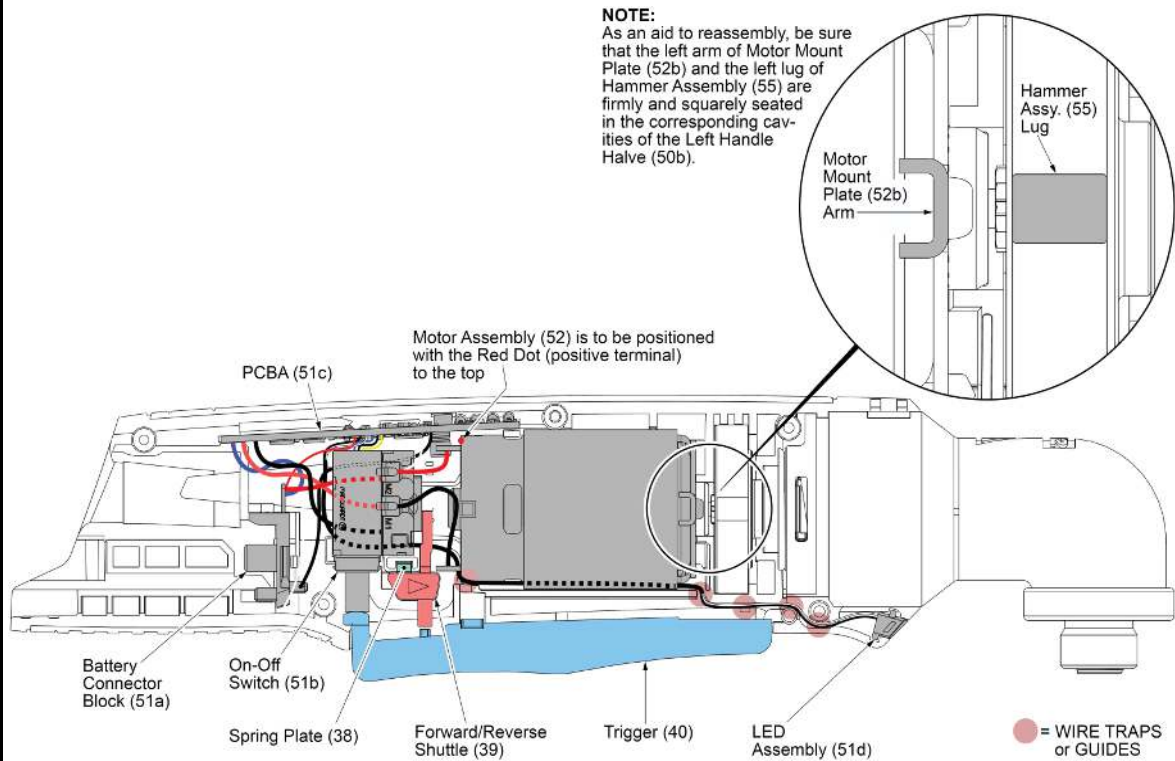


EXAMPLE:
00 0 Component Parts (Small #)
Are Included When Ordering
The Assembly (Large #).



	<h1>M12 BRAID</h1> <p>SERVICE PARTS LIST</p>	Bulletin Date: <h2>Jan-18</h2>
	<p>TTI Model Number: 018 146 011</p> <p>M12 1/4" HEX RIGHT ANGLE IMPACT DRIVER</p>	<p>Starting Serial Number:</p> <p>VERSION A - D2016</p>

ITEM	PART NUMBER	PART DISCRIPTION	QTY (PCS)
1	563437001	RUBBER BUMPER RING	1
2	694028001	RETAINING RING	1
3	635232001	WASHER	1
4	694029001	SPRING	1
5	694031001	SLEEVE	1
9	680079001	2.5MM STEEL BALL	2
38	633852003	SPRING PLATE	1
39	528806001	FORWARD / REVERSE SHUTTLE	1
40	528807001	TRIGGER	1
41	660570005	M13 X 14MM SCREW	5
43	591458001	FUEL GAUGE LENS	1
49	563476001	MOTOR BRUSH SEAL	1
50	203751001	HOUSING ASSEMBLY	1
50a	-	HOUSING COVER, RIGHT	1
50b	-	HOUSING SUPPORT, LEFT	1
50c	562951001	RUBBER SLUG	4
50d	-	FUEL GAUGE LABEL	1
51	208041001	ELECTRONICS ASSEMBLY	1
51a	-	BATTERY CONNECTOR BLOCK	1
51b	-	ON-OFF SWITCH	1
51c	-	PCBA	1
51d	-	LED ASSEMBLY	1
52	208046001	MOTOR ASSEMBLY WITH PINION	1
52a	-	MOTOR	1
52b	-	MOTOR MOUNT PLATE	1
52c	-	MOTOR MOUNT SCREW	2
53	203748001	ANVIL ASSEMBLY	1
53a	-	ANVIL	1
53c	-	NYLON WASHER	1
54	203747001	1/4" HEX GEARCASE ASSEMBLY	1
55	203746001	HAMMER ASSEMBLY	1
56	941048062	SERVICE NAMEPLATE	1
58	631542003	HOUSING CONNECTION CLIP	1



AS AN AID TO REASSEMBLY, TAKE NOTICE OF WIRE ROUTING AND POSITION IN WIRE GUIDES AND TRAPS WHILE DISMANTLING TOOL.

BE SURE THAT ALL COMPONENTS OF THE ELECTRONICS KIT ARE SEATED FIRMLY AND SQUARELY IN THE HANDLE RECESSES.

AVOID PINCHED WIRES, BE SURE THAT ALL WIRES AND SLEEVES ARE PRESSED COMPLETELY DOWN IN WIRE GUIDES AND TRAPS.

PRIOR TO INSTALLING THE HANDLE COVER ONTO THE HANDLE SUPPORT, BE SURE THAT THERE ARE NO INTERFERENCES.